

QUICK SHIP PROGRAM 5

In stock and ready to ship from our Arizona warehouse.

To order

Email: sales@schwinnhardware.com

Fax: 480.247.5605

Telephone: 480.259.3107

Prices in this book are
suggested retail prices.



Contact Information:
Schwinn Hardware, Inc.
15540 N. 77th Street
Scottsdale, Arizona 85260
T 480.259.3107
F 480.247.5605
sales@schwinnhardware.com
www.schwinnhardware.com



Photo courtesy of Tuohy Furniture Company



Photo courtesy of Haefele Design.

Design Credits
© Schwinn Hardware, Inc.
Design: Schwinn Hardware, Inc.
Schwinn Hardware, Inc.
Schwinn Beschlaege,
www.schwinnhardware.com,
the Schwinn logo and Schwinn's
distinctive product names are
exclusive proprietary trademarks
of Schwinn Beschlaege GmbH.
All other trademarks, product
names, designer names and
company names are the property
of the respective owners.

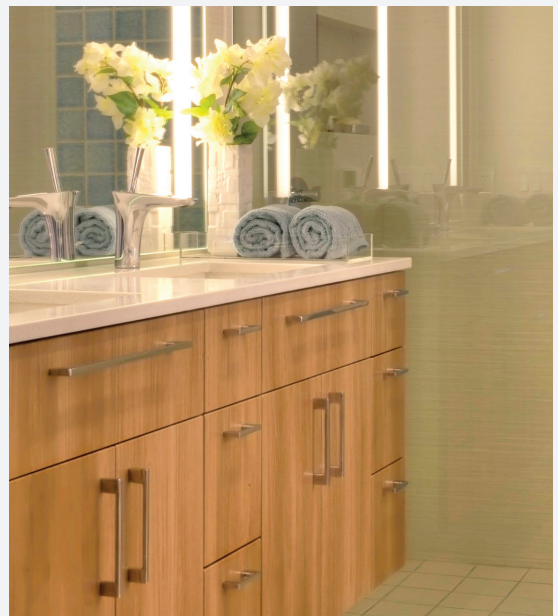


Photo courtesy of Mark Nichols Modern Interiors.

1. Schwinn Hardware – a story of dedication.

What Peter Schwinn started in 1932 as a workshop in Ober-Ramstadt, Germany (a small town near Frankfurt) using synthetic resin to make furniture handles and knobs, is today one of the leading European manufacturers of furniture hardware. Unlike most hardware companies, Peter Schwinn did not start the company as a blacksmith or metal workshop. He started it to make handles and knobs. For more than 85 years, the company has added many new materials and technologies: stainless steel, aluminum, die-cast zinc, injection-molded plastic, and wood are just a few. But no matter the advances, we always stayed true to one thing: our core-business of furniture hardware. It is this focus, along with our dedication to continuous improvement, that makes Schwinn Hardware a leader in the technology, design, manufacturing, and service of furniture hardware.

So, what do Schwinn Hardware and Schwinn bicycles have in common? Just the name. Ignaz Schwinn, a German who was born in 1860 in a town one hour southeast of Ober-Ramstadt, emigrated to the USA, and in 1895 founded Arnold, Schwinn & Company making bicycles in Chicago. Thirty-seven years later, Peter Schwinn started his furniture hardware company in Germany.

2. Schwinn Hardware today – a world of daily innovation.

Today's furniture hardware business is global. Many, many companies from around the world compete on all levels from being the fastest, the cheapest, the hippest, the largest and the most experienced to whatever category a marketing person can come up with. At Schwinn, we have always believed that we are only in business because of our customers.

If we provide them with the best choice of relevant designs, industry leading manufacturing technology, superior quality, shortest possible lead times, great service, and competitive prices they will buy our products to make their furniture better. Furniture that our customers from around the world design, manufacture, build, install, restore, improve, or refresh.



A modern Schwinn factory (Ober-Ramstadt) today.

3. Furniture hardware – functional decoration.

Even though the term “decorative hardware” is commonly used to describe the product category that handles and knobs are supposed to belong to, they are far more than just decorative. Warren Plattner, one of America's great architects and furniture designers, recalls that his employer and mentor, Raymond Loewy, the great American Industrial Designer, taught him: “it is worthwhile to pay attention to a very simple object.” For over eight decades we have studied how fingers and hands – small and large, long nailed and thick, wet, or oily – can quickly or slowly grab, touch, feel, pull, push, open, and close drawers and doors, that are high, low, left or right. We designed and manufactured thousands of different designs and then started all over to come up with new and different approaches to solve the same problems. All the while the world of furniture changed and we helped make the changes better with new designs, new technology, new finishes, new materials, and new ways to work with our customers. At Schwinn, we've done our best when a customer loves the furniture that was made better by our hardware.

4. Hardware in modern architecture and furniture design.

In his famous 1908 essay "Ornament and Crime", Adolf Loos (the Moravian born Austrian architect), explained that the relationship between object and ornament was a moral one based on the conviction that the ornament causes objects to go out of style and the effort that goes into the ornamentation is wasted and thus a crime. It was also the Moravians who built the town of Salem, now Old Salem, in North Carolina, and for those who have seen it, they will recall the lack of ornamentation in the buildings and furniture. "Ornament and Crime" was a major contribution to modernist architectural theory and a new era. It was the same era in which Peter Schwinn started his company. Bauhaus architects like Breuer and Mies van der Rohe, as well as De Stijl architects like Rietveld, developed a new language for their furniture hardware. It was tool-like, functional, and without surface decoration. It was modern. Since then modern hardware design has taken many different directions. From Aalto's organic designs; Eames's utilitarian use of wire pulls; and Neutra's total elimination of hardware for built-in furniture to Girard's and Nelson's mid-century modern exuberant designs, to the post-modern whimsical Starck. But rarely has a specific handle or knob become known for the designer who designed it.

5. Measurements – inches to millimeters.

Our standard of measure is the millimeter. When making small objects like handles and knobs, the millimeter is an appropriately precise unit. It can easily be converted into fractions of an inch, but that is a task we want to help you with. For that reason, we have included a conversion table so you can have it both ways. All measurements appear in the same order: width, height, and depth. Those measurements describe the handle or knob. Then there is "center to center" for the distance between taps. Sometimes there are C/C options for the same handle. Sometimes there is only one thread. In that case we have made sure by design that the knob will stay in place and will not accidentally twist.

6. Materials: Zamak – 95% of the purest zinc. Plus aluminum, magnesium and copper in a standardized combination.

The invention of Zamak is a great American story of ingenuity. Developed and trademarked by the New Jersey Zinc Company in 1929, it solved two big problems: zinc itself is a brittle, low strength, and low hardness metal. However, the addition of three other metals transformed it and made it comparable (even superior) to other cast metals such as aluminum, magnesium, brass, and cast iron. In order to maintain the great mechanical properties of this alloy and to avoid the problem of zinc pest commonly caused by other zinc alloys at the time, New Jersey's research showed that they needed to use zinc that was 99.99% free of impurities.

To produce this never-before available grade they used a special refluxer during the smelting process to separate the wanted from the unwanted. The name Zamak itself is an acronym of the German words for the metals Zink (zinc), aluminium (aluminum), Magnesium (magnesium) and Kupfer (copper). Today there are several different Zamak alloys. With over 70% share, Zamak 3 is the most common Zamak used in the United States for hot chamber die-casting to make parts in industries ranging from cars and airplanes to household appliances. Schwinn hardware is made with Zamak 5 (European Standard EN 1774) which has 1% copper added to make it stronger and harder than Zamak 3.

7. Materials: brass – zinc again and mainly copper (in many different combinations).

Brass is a generic term for a very broad range of copper-zinc alloys (not to be confused with bronze, which is a copper-tin alloy). Unlike Zamak, brass has no clear specification as to how much copper and zinc it has to contain. Different brasses consist of between 15 to 50% and more zinc, and 50 to 85% copper, sometimes additionally with some lead, tin, or aluminum.

This makes for very different qualities of materials that are all called brass. Decorative hardware made of brass is often stamped, forged, die-cast, or sand-cast, however, none of these techniques allows for the same complex shapes, close tolerances, and range of variation in thickness and economical finishing as Zamak. To protect the beautiful muted yellow color or to give brass hardware a chrome, nickel, or colored finish it is usually treated in similar ways as Zamak. It is then first the quality of the finish that determines how the part performs over time.

8. Materials: aluminum – or is it aluminum alloy?

Aluminum – unlike Zamak or brass – is not an alloy; however, due to high shrinkage, aluminum is rarely ever used in its pure form to cast or extrude parts like decorative hardware. So again copper, magnesium, manganese, silicon, and zinc are added in various degrees to create the desired properties. There are many different aluminum alloys available and they all have different benefits, advantages, and usages. And even though aluminum is naturally corrosion-resistant, aluminum alloys are less so. That is why there is a “marine grade” aluminum.

Schwinn hardware is made with an aluminum alloy called Al Mg Si 0,5 (European Standard 3.3206). A good corrosion resistance material that we make even higher with our anodized finishes.

9. Materials: stainless steel – it’s the chromium that makes the steel corrode less (and shiny when polished).

Since the 19th-century it was known that adding chromium to steel (another alloy) gives ordinary steel a special resistance to corrosion. A process called passivation creates a layer of chromium oxide on the surface so thin that the metal is still lustrous, but thick enough to prevent the corrosion process to spread into the material. It is the same process that occurs on aluminum and titanium. A minimum of 11% of chromium in the steel is required. The more the better. Over 150 different grades of stainless steel are available today with up to 26% chromium, some with nickel, molybdenum, aluminum, titanium, or manganese depending on the desired properties.



Zamak ingots ready for production.

10.
Materials: steel – mostly iron, with little or no carbon.

Simply speaking, if it is not stainless steel it is carbon steel. Just as there are many different alloys that we call stainless steel there are even more that we call carbon steel. All of them are steel alloys containing nickel, molybdenum, aluminum, titanium, or manganese to name a few. Steel with very low carbon content and some fibrous slag is known as wrought iron. The manufacture of this product – with its beautiful wood-like grain – declined in the 1950's due to the high cost of production. Even though the term wrought iron is often still used in hardware, the material it refers to has been replaced with mild steel (low but not as low as carbon content steel).

As an economical choice certain types of handles like wire pulls can be made of steel and finished in many high-quality finishes, especially powder coating.



A die-casting tool in the making at the Schwinn tool shop.

11.
Materials: plastic – it created a stir at the 1862 International Exhibition in London.

When Alexander Parkes presented this new material he had derived from cellulose and called Parkesine – the first man-made plastic – at the 1862 International Exhibition London, people were fascinated. But Parkesine was expensive, prone to cracking, and highly flammable. A few years later, in 1868, the American inventor John Wesley Hyatt developed a plastic material he named Celluloid improving on Parkes' invention so that it could be processed into finished form. Together with his brother Isaiah, Hyatt patented the first injection-molding machine in 1872, which was quickly used to make things like buttons and combs. Today there are thousands of different plastics that are injection-molded into almost everything including furniture hardware.

An economical choice, injection-molded handles, knobs, legs, and grommets play a big role in the modern furniture industry and Schwinn provides an increasingly large share of innovative products for that market.

12.
Production: die-casting – a process born in the USA.

First invented in 1876 in America by the German Ottmar Mergenthaler for the printing industry, the process of forcing molten metal under high pressure into mold cavities was quickly refined and as a result, it caught on in many industries. Today it is used worldwide to manufacture parts of high-fluidity metal alloys including Zamak, brass, bronze, and magnesium. The parts have excellent dimensional accuracy, smooth cast surfaces (or textured if desired), allow thinner walls when compared to sand cast or permanent mold casting, and great tensile strength which makes it ideal to manufacture complex, high quality, modern design furniture hardware.

However, to produce a perfect part the tool has to be perfect. That's why we have our own Schwinn tool workshop. Highly trained and experienced workers know every important detail of the process and make sure that our furniture hardware is made on the best possible and longest lasting tools.



Die-casting machines in action at a Schwinn factory.

**13.
Production: extruding –
by the inch, foot, or yard.**

Extrusion is a process used to create objects of a fixed cross-sectional profile. A material is pushed or drawn through a die of the desired cross-section that can be as simple as a tube or the complex profile of a furniture handle. Although known since the 18th-century, it was not until the 19th-century and the invention of the hydraulic powered press, that the extrusion process was commonly used for lead, and then late in the 19th-century for copper and brass alloys. Today aluminum is the most commonly extruded material. The two main advantages of this process over other manufacturing processes are the ability to create very complex cross-sections and to work with brittle materials. The finished parts have an excellent surface finish – an important requirement for furniture hardware.

**14.
Production: injection
molding – the era
that started in 1946.**

Injection molding is to thermoplastics what die-casting is to metal. Back in 1872, the American John Wesley Hyatt and his brother invented a machine that basically pushed plastic through a plunger into a mold. But it was in 1946 that the screw injection machine by American James Watson Hendry first allowed precise control over the speed of the process and quality of the produced parts. To this day it is still the most economical way to produce large amounts of parts of an ever-increasing amount of materials and possibilities that we call plastics. As one of the leading suppliers to the furniture industry, Schwinn uses ABS, a tough and recyclable plastic, to produce a broad range of high-quality parts from handles and grommets to furniture legs.

**15.
Finishes: more than
just a pretty face.**

Many desired properties of furniture hardware, such as resistance to abrasion, wear, acidic liquids, and corrosion, as well as color, luster, sheen, and feel are not accomplished by the primary material used to shape the product, but instead by its finish. It is the finish that often makes the difference between good and great; appropriate or inappropriate for a specific purpose or environment; lasting or short lived. There are many finishes to choose from. Their qualities vary greatly and the differences are much deeper than it appears.

16. Finishes 1: electroplating – what you don't see is what matters.

Technically, electroplating is a process in which metal ions (e.g., nickel, copper, chromium, etc.) in a solution are moved by an electric field to coat an electrode like a piece of hardware. Plating is a non-leveling coating. Any imperfection in the cast piece will show. That means the surface has to be finished and buffed or brushed (if a brushed finish is desired) to perfection first. Schwinn employs highly skilled workers with many years of experience for this critical job. Just as the preparation is important for the appearance of the finished piece, so is the cleaning for its durability.

There is even a standard for that: ASTM B3222. After all that is done it is time for several rounds of plating. At Schwinn, we first use a layer of copper, then another layer of copper, then nickel, and finally chromium to achieve our high-quality chrome finish. During this process each part goes through over 40 different baths to ensure perfect and lasting quality.

17. Finishes 2: anodizing – like nature, only thicker.

Mostly known and used as a finish for aluminum, anodizing increases the thickness of the aluminum oxide layer that is naturally formed when aluminum is exposed to air. With some chemicals, electricity and a well-prepared surface the anodized part gets an oxide layer that will make it highly corrosion resistant. Since this layer is quite porous it can easily absorb dyes allowing for a nice range of colors. The final step is the application of a sealer – a critical step that keeps the dye from discoloring and seals the surface against corrosion.



18. Finishes 3: powder-coating. High Performance Finish.

Because powder coating uses an electric charge and no solvent it can be applied much thicker than liquid paint. In fact Schwinn powder-coated finishes are 5-10 times thicker than lacquer. After preparing the piece the powder is applied with a spray gun and then cured at around 400F. The result is a beautifully smooth, highly durable finish. Schwinn AM Antimicrobial Protected Furniture Hardware features an innovative high performance finish that inhibits microbial growth adding the value of product protection to the design and quality of Schwinn Hardware. It has proven to resist over 1000 hours of salt spray (ASTM-B117) and over 1000 hours of humidity (ASTM-D2247). With its additional excellent scratch resistance, chemical resistance, and adhesion, our performance finish is setting new standards in the industry. For more information please go to www.schwinnhardware.com.



Schwinn's fully automated, high volume powder coating machine.

The Agion Antimicrobial is not intended as a substitute to good hygiene. It does not protect users or others against disease-causing bacteria. Coated products must still be cleaned to insure the surfaces will be free of destructive microbes. Schwinn Hardware makes no representations or warranties, expressed or implied as to the efficacy of the Agion Antimicrobial. Agion is a registered trademark of Sciecent LLC, Wakefield, MA, USA. Cradle to Cradle (CM) is a certification mark of MBDC.

19. Finishes 4: lacquering. Thin and smooth protection.

An inexpensive way to achieve a smooth protective coating is the application of a clear or colored varnish that dries by solvent evaporation. Schwinn uses only environmentally friendly water based lacquers. Surface preparation, cleanliness, and the quality of the lacquer are of highest importance in achieving a smooth film that lasts over time.



Schwinn's eco-friendly lacquering machine uses only water-based products.

20. Standards for Hardware.

Product safety and performance, as well as the environmental impact of the production and use of furniture hardware, are regulated by various standards in different industries and countries. One important US standard is ANSI A 156.9.2010 which was developed by the Builders Hardware Manufacturers Association and then adopted by the Kitchen Cabinet Manufacturers Association KCMA. Continuous improvements on all levels make sure that Schwinn products always meet or exceed national and international standards.

LEED. Leadership in Energy and Environmental Design, is the most widely recognized and used green building program across the globe. It is instituted by the United States Green Building Council. LEED is certifying 1.6 million square feet of building space each day in more than 130 countries. LEED is a certification program for buildings, homes and communities that guides the design, construction, operations and maintenance. Nearly 50,000 projects are currently participating in LEED, comprising more than 8.9 billion square feet of construction space. Because handles and knobs are usually less than 5% of the product by weight (e.g., the desk) these parts generally do not contribute to LEED points.

Level. The Level certification process follows the LEED ratings. Instead of being a rating for buildings however it is a rating for all business and institutional furniture manufacturers as well as for the suppliers of materials and components. The implications for furniture hardware like knobs and handles are the same as for LEED.

RoHS. Restriction of Hazardous Substances, was adopted by the European Union in 2003 and took effect in 2006. Lead, Mercury, and Hexavalent Chrome are three of the six substances that are targeted and relevant to furniture hardware components. Maximum permitted concentrations are 1000ppm. Schwinn products are in compliance with RoHS.

21. ADA considerations.

The Americans with Disabilities Act (ADA) is the most comprehensive civil rights legislation adopted to prohibit discrimination against people with disabilities. The ADA was signed into law on July 26, 1990.

Title III prohibits discrimination by private entities and nonprofit service providers operating public accommodations. This includes privately operated entities that offer licenses and exams, private schools and colleges, banks, restaurants, theaters, hotels, private transportation, supermarkets, shopping malls, museums, health clubs and other recreational facilities, sports arenas, doctor, lawyer and insurance offices, and other commercial facilities.

Public accommodations must not exclude, segregate or treat people with disabilities unequally. This includes compliance with architectural standards providing physical access.

Guidelines. Drawer handles fall under section 4.25.4 of the ADA Standards for Accessible Design as hardware for storage facilities. "4.25.4 Hardware. Hardware for accessible storage facilities shall comply with 4.27.4. Touch latches and U-shaped pulls are acceptable." Further detail comes from section 4.27.4: "Controls and operating mechanisms shall be operable with one hand and shall not require tight grasping, pinching, or twisting of the wrist. The force required to activate controls shall be no greater than 5 lbf." Based on these guidelines we have noted for each item in this catalog whether or not we consider it in compliance with ADA.

Schwinn Item 2266 Knob

Material: Zamak

Environmental Information:

- Fully Recyclable
- Meets RoHS Standards
- ADA Compliant: No

25 x 8 x 25 mm

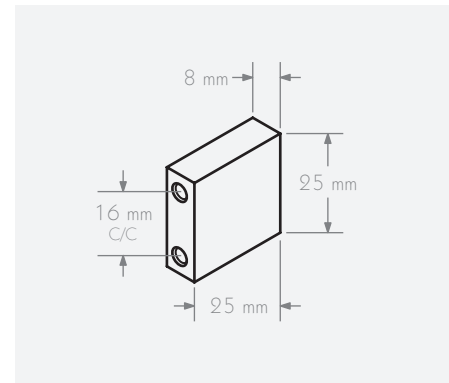
C/C 16 mm; M4 Thread

Polished Chrome \$10.00

Order Nr. 51183

Satin Nickel \$9.00

Order Nr. 51182



Schwinn Item 2398 Knob

Material: Zamak

Environmental Information:

- Fully Recyclable
- Meets RoHS Standards
- ADA Compliant: No

45 x 8 x 25 mm

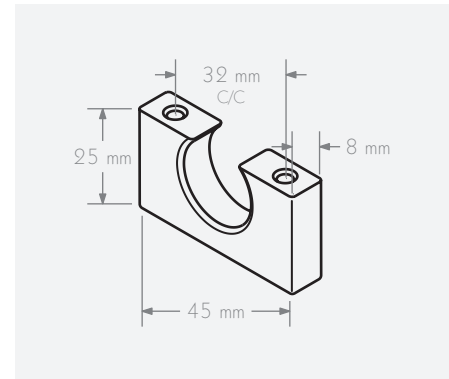
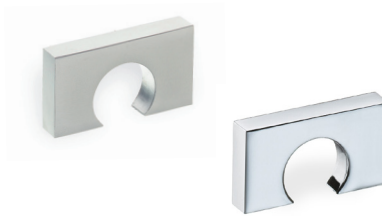
C/C 32 mm; M4 Thread

Satin Nickel \$11.00

Order Nr. 59000

Polished Chrome \$12.00

Order Nr. 59065



Schwinn Item 2361 Tab Pull

Material: Zamak

Environmental Information:

- Fully Recyclable
- Meets RoHS Standards
- ADA Compliant: No

45 x 20 x 50 mm

C/C 32 mm; #6 Wood Screw

Satin Nickel \$10.00

Order Nr. 51396

Polished Chrome \$10.00

Order Nr. 51395

Matte Chrome \$10.00

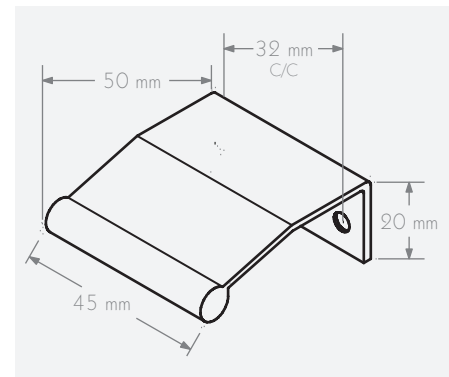
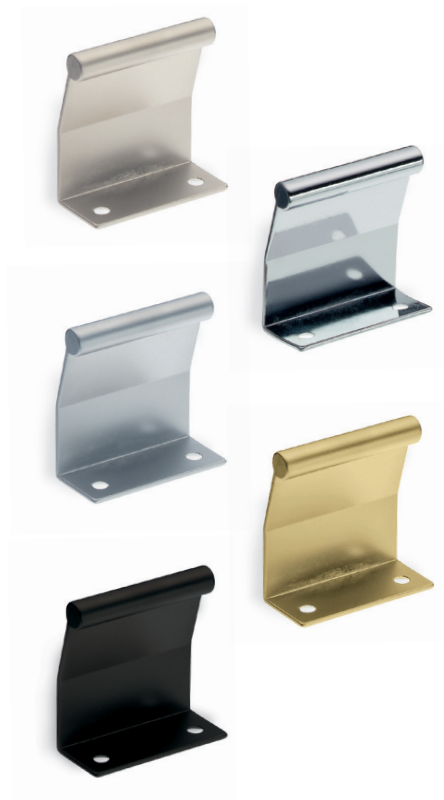
Order Nr. 51407

Matte Gold \$10.00

Order Nr. 59335

Matte Black \$10.00

Order Nr. 59336

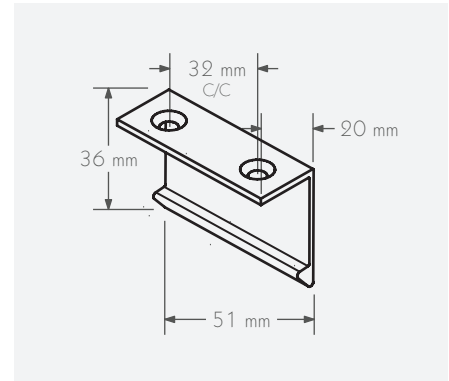


Schwinn Item 3793 Tab Pull

Material: Aluminum
 Environmental Information:
 - Fully Recyclable
 - Meets RoHS Standards
 ADA Compliant: No

51 x 20 x 36 mm
 C/C 32 mm; #6 Wood Screw

Satin Nickel	\$7.00
Order Nr. 59068	
Polished Chrome	\$7.00
Order Nr. 59069	
Matte Chrome	\$7.00
Order Nr. 59070	
Polished Nickel	\$7.00
Order Nr. 59071	
Matte Gold	\$9.00
Order Nr. 59337	
Matte Black	\$7.00
Order Nr. 59340	

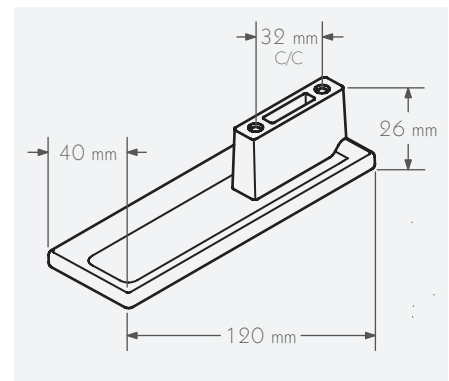


Schwinn Item Z005 Pull

Material: Zamak
 Environmental Information:
 - Fully Recyclable
 - Meets RoHS Standards
 ADA Compliant: No

120 x 40 x 26 mm
 C/C 32 mm; M4 Thread

Polished Chrome	\$26.00
Order Nr. 53296	
Satin Nickel	\$24.00
Order Nr. 59072	
Dark Nickel	\$26.00
Order Nr. 59073	



Schwinn 2935 Series

Material: Zamak

Environmental Information:

- Fully Recyclable
 - Meets RoHS Standards
- ADA Compliant: No

Schwinn Item 2935/32 Pull

50 x 50 x 24 mm

C/C 32 mm; M4 Thread

Polished Chrome \$14.00

Order Nr. 52901

Matte Gold \$26.00

Order Nr. 59338

Schwinn Item 2935/64 Pull

73 x 73 x 25 mm

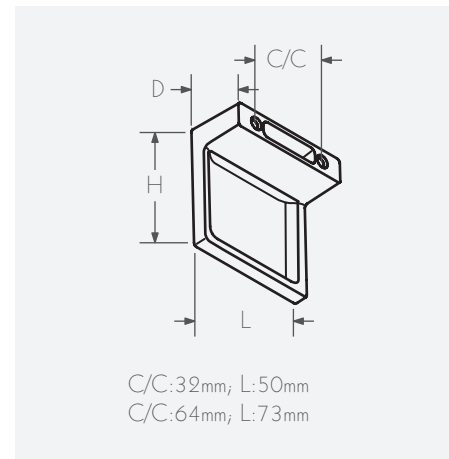
C/C 64 mm; M4 Thread

Polished Chrome \$24.00

Order Nr. 52898

Matte Gold \$26.00

Order Nr. 59339



Schwinn Item 2971 Knob/Hook

Material: Zamak

Environmental Information:

- Fully Recyclable
 - Meets RoHS Standards
- ADA Compliant: No

45 x 9 x 23 mm

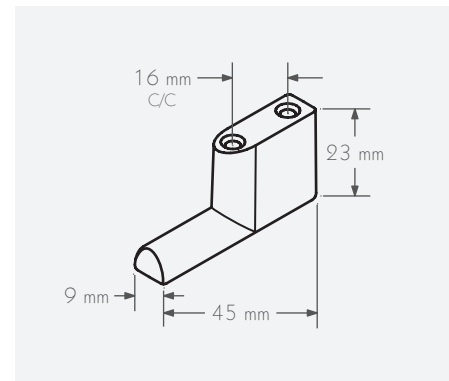
C/C 16 mm; M4 Thread

Satin Nickel \$11.00

Order Nr. 59001

Polished Chrome \$13.00

Order Nr. 53026



Schwinn Item 2022 Knob

Material: Zamak

Environmental Information:

- Fully Recyclable
 - Meets RoHS Standards
- ADA Compliant: No

32 Diameter x 22 mm

C/C N/A; M4 Thread

Satin Nickel \$10.00

Order Nr. 50700

Polished Chrome \$11.00

Order Nr. 50701

Dark Nickel \$11.00

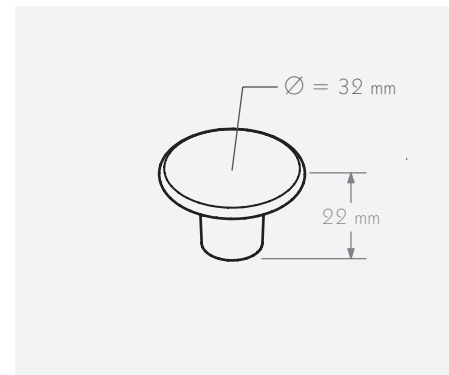
Order Nr. 59074

Matte Gold \$11.00

Order Nr. 59341

Matte Black \$10.00

Order Nr. 59342

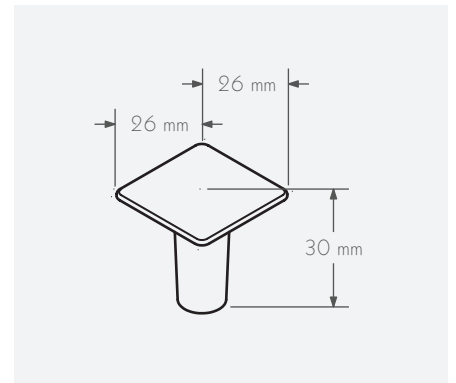


Schwinn Item 2607 Knob

Material: Zamak
 Environmental Information:
 - Fully Recyclable
 - Meets RoHS Standards
 ADA Compliant: No

26 x 26 x 30 mm
 C/C N/A; M4 Thread

Satin Nickel	\$10.00
Order Nr. 52555	
Matte Chrome	\$10.00
Order Nr. 52556	
Polished Chrome	\$11.00
Order Nr. 59078	
Polished Nickel	\$11.00
Order Nr. 59079	
Matte Gold	\$11.00
Order Nr. 59343	
Matte Black	\$10.00
Order Nr. 59344	

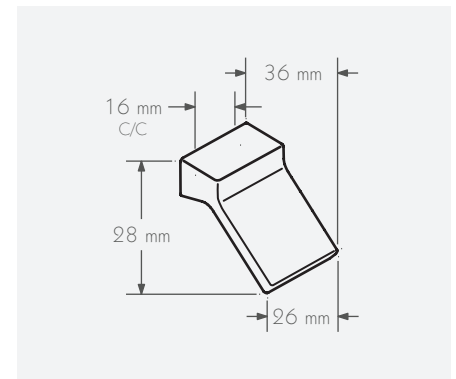


Schwinn Item Z084 Knob/Hook

Material: Zamak
 Environmental Information:
 - Fully Recyclable
 - Meets RoHS Standards
 ADA Compliant: No

26 x 28 x 36 mm
 C/C 16 mm; M4 Thread

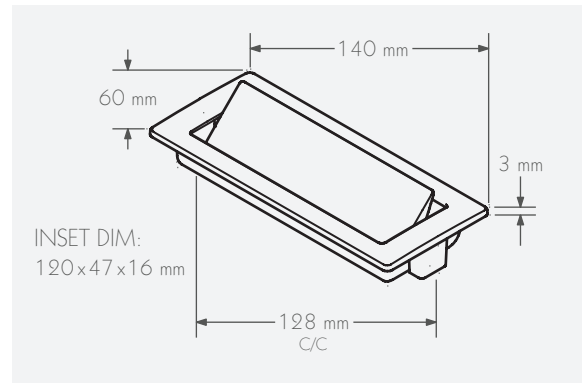
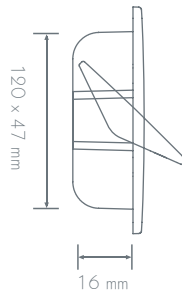
Satin Nickel	\$16.00
Order Nr. 53310	
Matte Chrome	\$16.00
Order Nr. 59008	
Polished Chrome	\$18.00
Order Nr. 59082	



**Schwinn Item Z075 Covered
Flush Pull**

Material: Zamak
 Environmental Information:
 - Fully Recyclable
 - Meets RoHS Standards
 ADA Compliant: No

140 x 60 x 3 mm	
120 x 47 x 16 mm	
C/C 128 mm; M4 Thread	
Satin Nickel	\$36.00
Order Nr. 59009	
Polished Chrome	\$34.00
Order Nr. 53355	



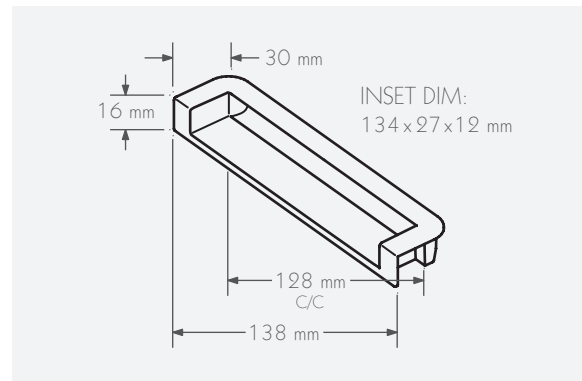
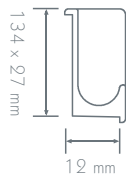
Routing templates are available at
www.schwinnhardware.com/nc/products/downloads.html.



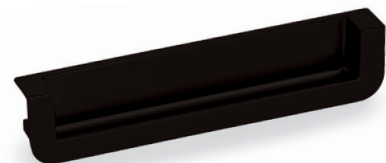
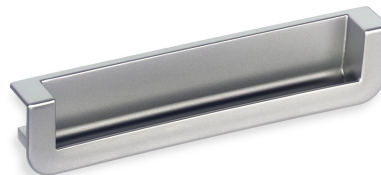
**Schwinn Item 2518 Recessed
Edge Pull**

Material: Zamak
 Environmental Information:
 - Fully Recyclable
 - Meets RoHS Standards
 ADA Compliant: No

138 x 30 x 16 mm	
134 x 27 x 12 mm	
C/C 128 mm; M4 Thread	
Satin Nickel	\$19.00
Order Nr. 52288	
Polished Chrome	\$20.00
Order Nr. 52682	
Matte Chrome	\$19.00
Order Nr. 52287	
Matte Black	\$19.00
Order Nr. 59345	



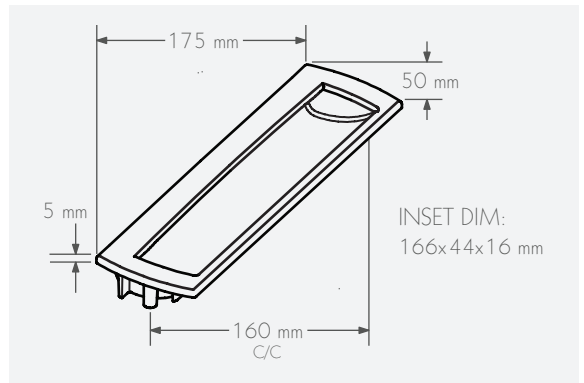
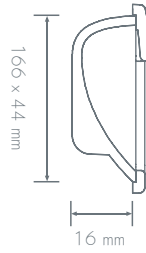
Routing templates are available at
www.schwinnhardware.com/nc/products/downloads.html.



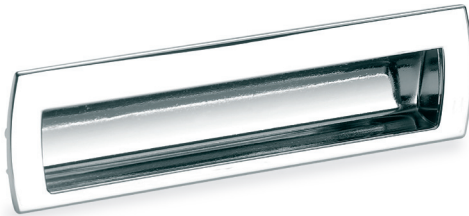
Schwinn Item 2578 Flush Pull

Material: Zamak
 Environmental Information:
 - Fully Recyclable
 - Meets RoHS Standards
 ADA Compliant: No

175 x 50 x 5 mm	
166 x 44 x 16 mm	
C/C 160 mm; M4 Thread	
Polished Chrome	\$39.00
Order Nr. 52291	
Satin Nickel	\$37.00
Order Nr. 52290	



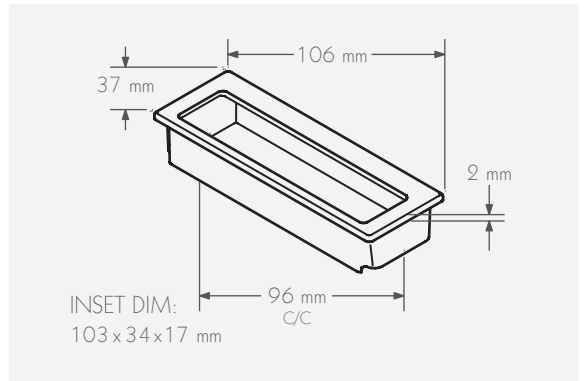
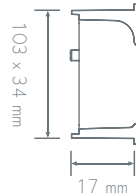
Routing templates are available at www.schwinnhardware.com/nc/products/downloads.html.



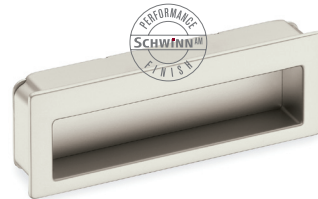
Schwinn Item Z078 Flush Pull

Material: Zamak
 Environmental Information:
 - Fully Recyclable
 - Meets RoHS Standards
 ADA Compliant: No

106 x 37 x 2 mm	
103 x 34 x 17 mm	
C/C 96 mm; M4 Thread	
Satin Nickel	\$29.00
Order Nr. 53360	
Polished Chrome	\$29.00
Order Nr. 53358	
Satin Nickel Performance Finish	\$30.00
Order Nr. 59058	
Matte Black	\$29.00
Order Nr. 59346	



Routing templates are available at www.schwinnhardware.com/nc/products/downloads.html.



Schwinn Z045 Series

Material: Zamak

Environmental Information:

- Fully Recyclable
 - Meets RoHS Standards
- ADA Compliant: No

Schwinn Item Z045/64 Pull

118 x 8 x 23 mm

C/C 64 mm; M4 Thread

Satin Nickel \$16.00

Order Nr. 53205

Satin Nickel Performance Finish \$17.00

Order Nr. 59050

Matte Chrome \$16.00

Order Nr. 53204

Polished Chrome \$21.00

Order Nr. 53203

Schwinn Item Z045/160 Pull

234 x 8 x 23 mm

C/C 160 mm; M4 Thread

Satin Nickel \$19.00

Order Nr. 53208

Satin Nickel Performance Finish \$20.00

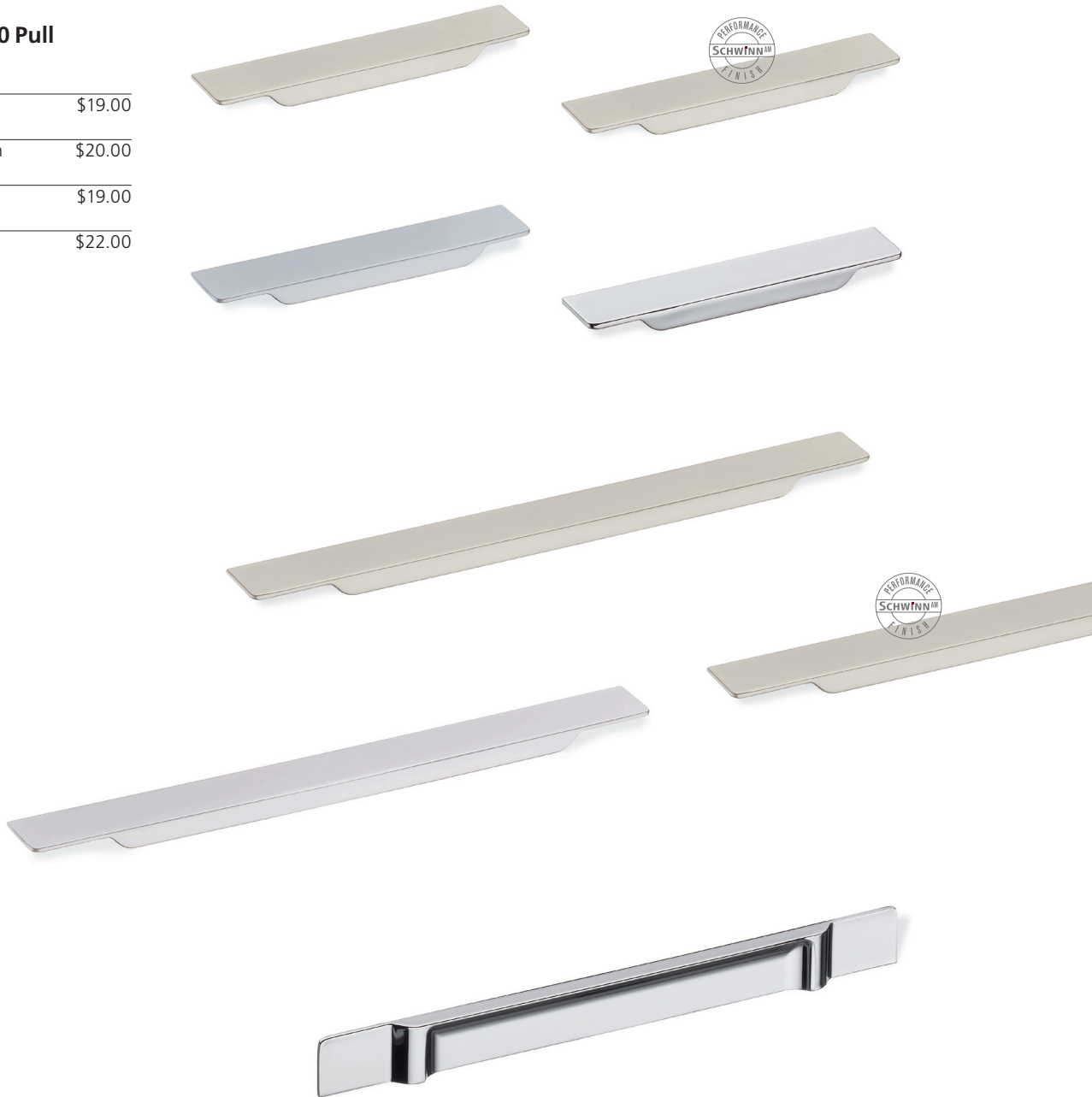
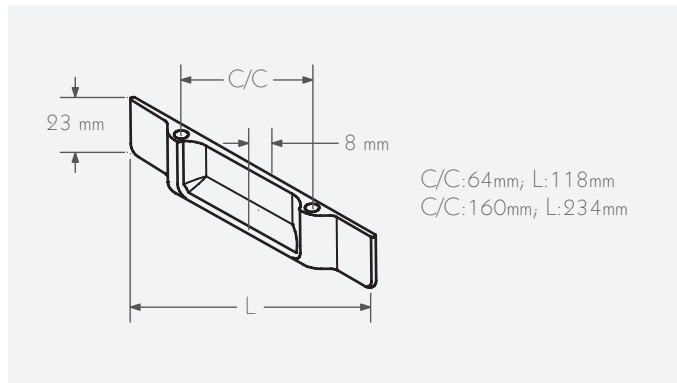
Order Nr. 59051

Matte Chrome \$19.00

Order Nr. 53207

Polished Chrome \$22.00

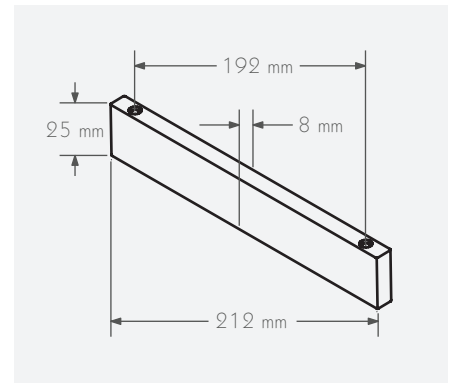
Order Nr. 53206



Schwinn Item 3621/192 Pull

Material: Aluminum
 Environmental Information:
 - Fully Recyclable
 - Meets RoHS Standards
 ADA Compliant: No

212 x 8 x 25 mm	
C/C 192 mm; M4 Thread	
Clear Anodized	\$21.00
Order Nr. 59013	
Polished Chrome	\$26.00
Order Nr. 59377	
Matte Black	\$25.00
Order Nr. 59378	

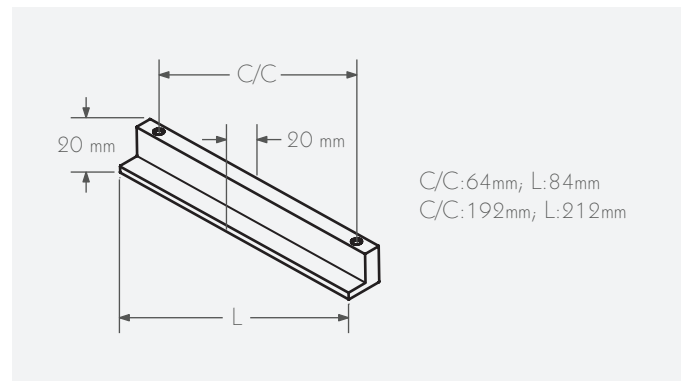


Schwinn 3756 Series

Material: Aluminum
 Environmental Information:
 - Fully Recyclable
 - Meets RoHS Standards
 ADA Compliant: No

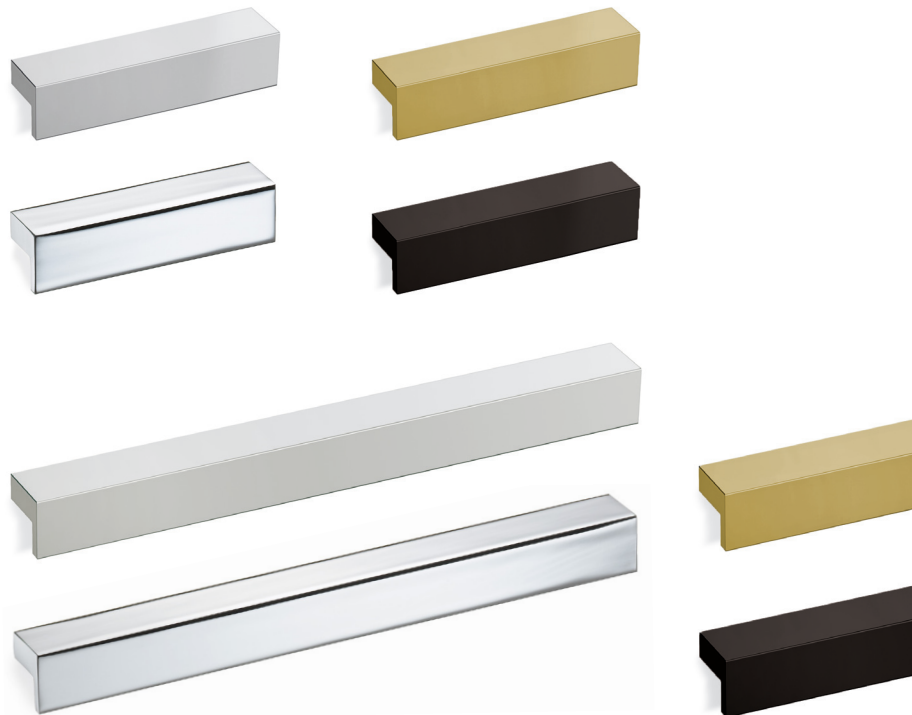
Schwinn Item 3756/64 Pull

84 x 20 x 20 mm	
C/C 64 mm; M4 Thread	
Clear Anodized	\$9.00
Order Nr. 53218	
Polished Chrome	\$10.00
Order Nr. 59085	
Matte Gold	\$12.00
Order Nr. 59351	
Matte Black	\$10.00
Order Nr. 59353	



Schwinn Item 3756/192 Pull

212 x 20 x 20 mm	
C/C 192 mm; M4 Thread	
Clear Anodized	\$17.00
Order Nr. 53220	
Polished Chrome	\$19.00
Order Nr. 59086	
Matte Gold	\$21.00
Order Nr. 59352	
Matte Black	\$19.00
Order Nr. 59354	



Schwinn 2891 Series

Material: Zamak

Environmental Information:

- Fully Recyclable

- Meets RoHS Standards

ADA Compliant: No

Schwinn Item 2891/32 Pull

42 x 9 x 20 mm

C/C 32 mm; M4 Thread

Satin Nickel \$11.00

Order Nr. 53210

Satin Nickel Performance Finish \$12.00

Order Nr. 59054

Polished Chrome \$12.00

Order Nr. 53211

Matte Black \$11.00

Order Nr. 59347

Schwinn Item 2891/64 Pull

75 x 9 x 20 mm

C/C 64 mm; M4 Thread

Satin Nickel \$14.00

Order Nr. 53213

Satin Nickel Performance Finish \$15.00

Order Nr. 59055

Polished Chrome \$15.00

Order Nr. 53214

Matte Black \$14.00

Order Nr. 59348

Schwinn Item 2891/128 Pull

140 x 9 x 20 mm

C/C 128 mm; M4 Thread

Satin Nickel \$16.00

Order Nr. 52518

Satin Nickel Performance Finish \$17.00

Order Nr. 59056

Polished Chrome \$17.00

Order Nr. 52519

Matte Black \$16.00

Order Nr. 59349

Schwinn Item 2891/192 Pull

202 x 9 x 20 mm

C/C 192 mm; M4 Thread

Satin Nickel \$19.00

Order Nr. 53216

Satin Nickel Performance Finish \$20.00

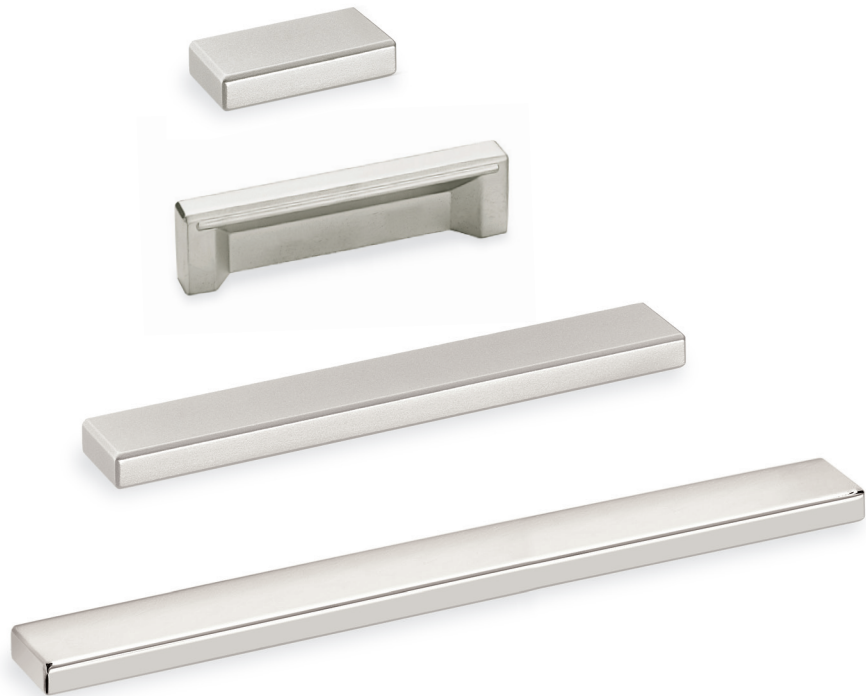
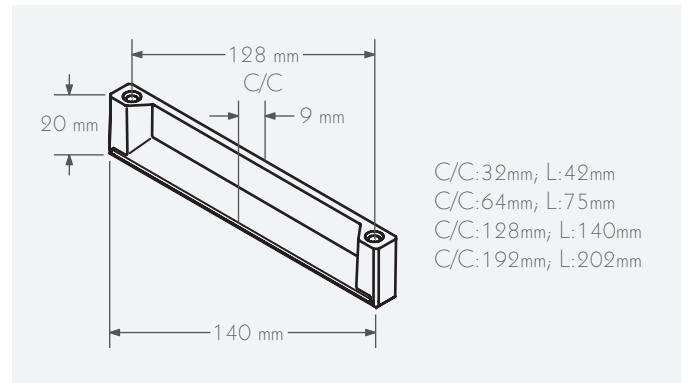
Order Nr. 59057

Polished Chrome \$20.00

Order Nr. 53217

Matte Black \$19.00

Order Nr. 59350



Available Finishes



Schwinn 2334 Series

Material: Zamak
 Environmental Information:
 - Fully Recyclable
 - Meets RoHS Standards
 ADA Compliant: Yes

Schwinn Item 2334/128 Handle

138 x 10 x 30 mm

C/C 128 mm; Thread M4

Satin Nickel \$17.00

Order Nr. 51747

Satin Nickel Performance Finish \$18.00

Order Nr. 59046

Polished Chrome \$23.00

Order Nr. 51749

Dark Nickel \$19.00

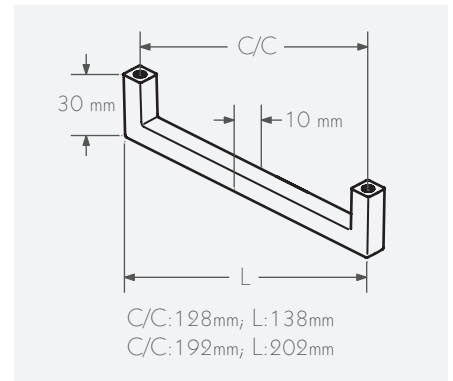
Order Nr. 59096

Matte Gold \$22.00

Order Nr. 59373

Matte Black \$17.00

Order Nr. 59371



Schwinn Item 2334/192 Handle

202 x 10 x 30 mm

C/C 192 mm; Thread M4

Satin Nickel \$19.00

Order Nr. 59180

Satin Nickel Performance Finish \$20.00

Order Nr. 59045

Polished Chrome \$25.00

Order Nr. 59181

Dark Nickel \$21.00

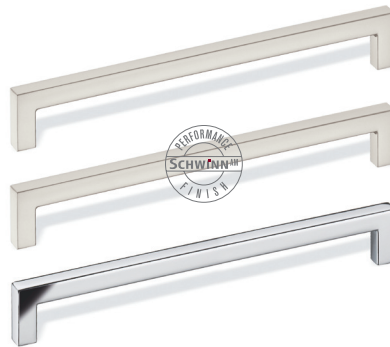
Order Nr. 59097

Matte Gold \$25.00

Order Nr. 59374

Matte Black \$19.00

Order Nr. 59372



Schwinn 2548 Series

Material: Zamak
 Environmental Information:
 - Fully Recyclable
 - Meets RoHS Standards
 ADA Compliant: Yes

Schwinn Item 2548/32 Pull

59 x 8 x 26 mm

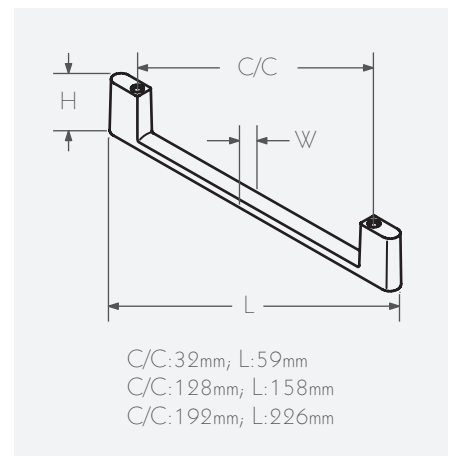
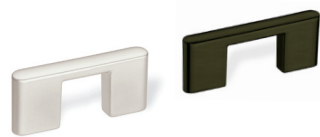
C/C 32 mm; M4 Thread

Satin Nickel \$10.00

Order Nr. 59026

Dark Nickel \$11.00

Order Nr. 59098



Schwinn Item 2548/128 Handle

158 x 9 x 26 mm

C/C 128 mm; M4 Thread

Satin Nickel \$14.00

Order Nr. 59027

Dark Nickel \$15.00

Order Nr. 59099



Schwinn Item 2548/192 Handle

226 x 9 x 27 mm

C/C 192 mm; M4 Thread

Satin Nickel \$17.00

Order Nr. 59028

Dark Nickel \$18.00

Order Nr. 59100



Schwinn 2389 Series

Material: Zamak

Environmental Information:

- Fully Recyclable
 - Meets RoHS Standards
- ADA Compliant: Yes

Schwinn Item 2389/64 Handle

72 x 17 x 28 mm

C/C 64 mm; M4 Thread

Satin Nickel	\$12.00
Order Nr. 52834	
Dark Nickel	\$13.00
Order Nr. 59089	
Polished Chrome	\$14.00
Order Nr. 54230	
Matte Gold	\$14.00
Order Nr. 59362	
Matte Black	\$13.00
Order Nr. 59355	

Schwinn Item 2389/128 Handle

137 x 20 x 30 mm

C/C 128 mm; M4 Thread

Satin Nickel	\$16.00
Order Nr. 51877	
Dark Nickel	\$17.00
Order Nr. 59090	
Polished Chrome	\$18.00
Order Nr. 54232	
Matte Gold	\$20.00
Order Nr. 59363	
Matte Black	\$19.00
Order Nr. 59356	

Schwinn Item 2389/160 Handle

168 x 20 x 30 mm

C/C 160 mm; M4 Thread

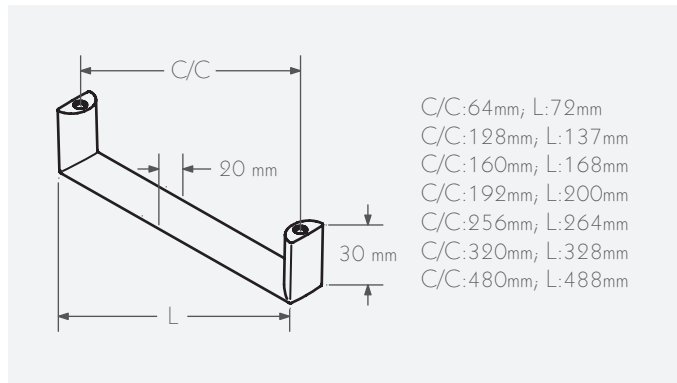
Satin Nickel	\$18.00
Order Nr. 52836	
Dark Nickel	\$19.00
Order Nr. 59091	
Polished Chrome	\$20.00
Order Nr. 54233	
Matte Gold	\$20.00
Order Nr. 59364	
Matte Black	\$19.00
Order Nr. 59357	

Schwinn Item 2389/192 Handle

200 x 20 x 30 mm

C/C 192 mm; M4 Thread

Satin Nickel	\$20.00
Order Nr. 53172	
Dark Nickel	\$21.00
Order Nr. 59092	
Polished Chrome	\$22.00
Order Nr. 54234	
Matte Gold	\$22.00
Order Nr. 59365	
Matte Black	\$21.00
Order Nr. 59358	



Schwinn Item 2389/256 Handle

264 x 20 x 30 mm

C/C 256 mm; M4 Thread

Satin Nickel	\$36.00
Order Nr. 52837	
Dark Nickel	\$37.00
Order Nr. 59093	
Polished Chrome	\$38.00
Order Nr. 54235	
Matte Gold	\$38.00
Order Nr. 59366	
Matte Black	\$37.00
Order Nr. 59359	

Schwinn Item 2389/320 Appliance Pull

328 x 20 x 30 mm

C/C 320 mm; M5 Thread

Satin Nickel	\$39.00
Order Nr. 59087	
Dark Nickel	\$41.00
Order Nr. 59094	
Polished Chrome	\$42.00
Order Nr. 59369	
Matte Gold	\$42.00
Order Nr. 59367	
Matte Black	\$41.00
Order Nr. 59360	

Schwinn Item 2389/480 Appliance Pull

488 x 30 x 20 mm

C/C 480 mm; M5 Thread

Satin Nickel	\$49.00
Order Nr. 59088	
Dark Nickel	\$52.00
Order Nr. 59095	
Polished Chrome	\$53.00
Order Nr. 59370	
Matte Gold	\$53.00
Order Nr. 59368	
Matte Black	\$52.00
Order Nr. 59361	

Available Finishes



Schwinn Item 2278/128 Handle

Material: Zamak

Environmental Information:

- Fully Recyclable
 - Meets RoHS Standards
- ADA Compliant: Yes

148 x 16 x 33 mm

C/C 128 mm; M4 Thread

Satin Nickel \$11.00

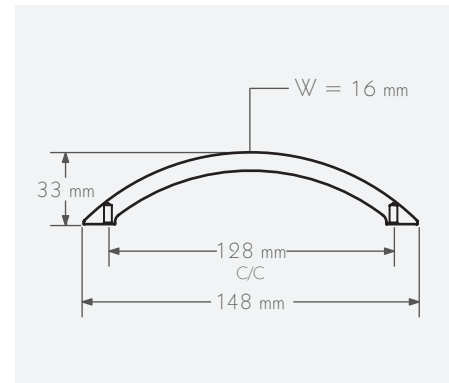
Order Nr. 59106

Polished Nickel \$13.00

Order Nr. 59105

Dark Nickel \$12.00

Order Nr. 59104



Schwinn Item 2517 Handle

Material: Zamak/ Rubber

Environmental Information:

- Fully Recyclable
 - Meets RoHS Standards
- ADA Compliant: Yes

207 x 10 x 32 mm

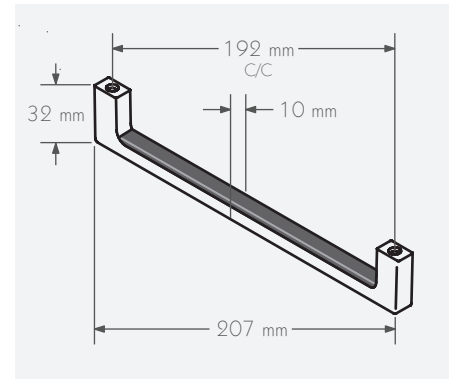
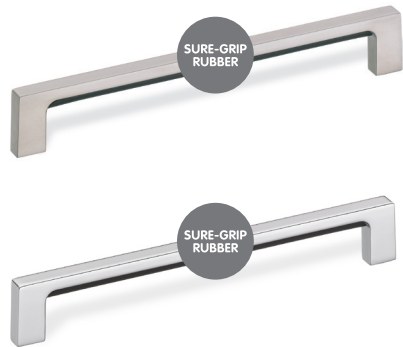
C/C 192 mm; M4 Thread

Matte Chrome/ Black Rubber \$20.00

Order Nr. 59019

Polished Chrome/ Black Rubber \$22.00

Order Nr. 59107



Schwinn Item Z082 Handle

Material: Zamak

Environmental Information:

- Fully Recyclable
 - Meets RoHS Standards
- ADA Compliant: Yes

191 x 20 x 27 mm

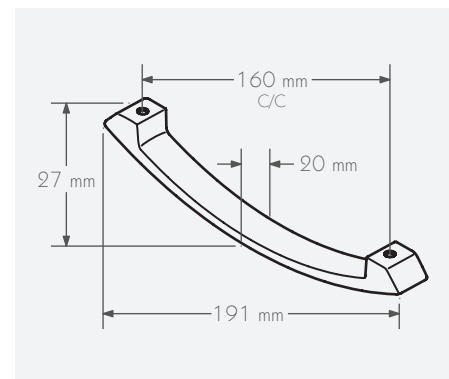
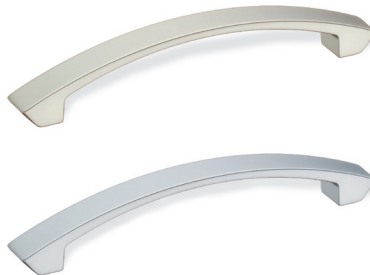
C/C 160 mm; M4 Thread

Satin Nickel \$20.00

Order Nr. 53181

Matte Chrome \$20.00

Order Nr. 53180

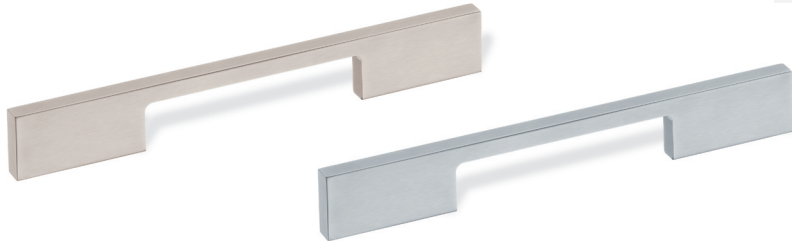
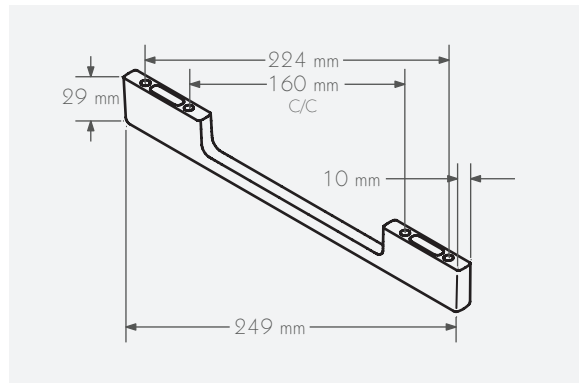


Schwinn Item Z011 Handle

Material: Zamak
 Environmental Information:
 - Fully Recyclable
 - Meets RoHS Standards
 ADA Compliant: Yes

249 x 10 x 29 mm
 C/C 160 + 224; M4 Thread

Satin Nickel	\$28.00
Order Nr. 59030	
Matte Chrome	\$28.00
Order Nr. 59031	

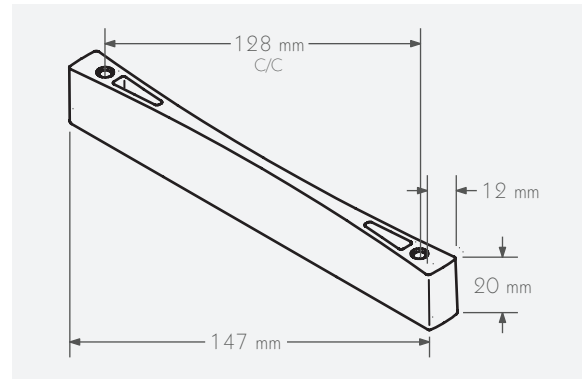


Schwinn Item Z114 Pull

Material: Zamak
 Environmental Information:
 - Fully Recyclable
 - Meets RoHS Standards
 ADA Compliant: No

147 x 12 x 20 mm
 C/C 128 mm; M4 Thread

Polished Chrome	\$20.00
Order Nr. 59110	
Satin Nickel	\$19.00
Order Nr. 59111	

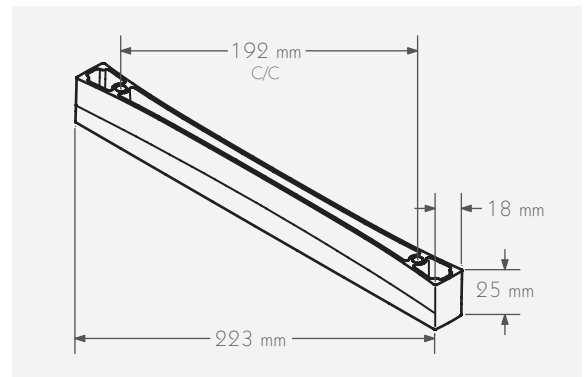


Schwinn Item Z037 Pull

Material: Zamak
 Environmental Information:
 - Fully Recyclable
 - Meets RoHS Standards
 ADA Compliant: No

223 x 18 x 25 mm
 C/C 192 mm; M4 Thread

Polished Chrome	\$34.00
Order Nr. 59010	
Satin Nickel	\$32.00
Order Nr. 59112	



Schwinn Item Z245 Tab Pull

Material: Zamak

Environmental Information:

- Fully Recyclable
 - Meets RoHS Standards
- ADA Compliant: No

80 x 20 x 46 mm

C/C 64; #6 Wood Screw

Polished Chrome \$14.00

Order Nr. 59154

Matte Chrome \$12.00

Order Nr. 59155

Satin Nickel \$13.00

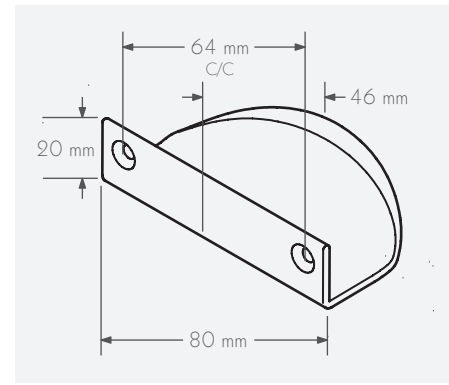
Order Nr. 59156

Matte Gold \$16.00

Order Nr. 59376

Matte Black \$13.00

Order Nr. 59375



Schwinn Item Z167 Pull/Hook

Material: Zamak

Environmental Information:

- Fully Recyclable
 - Meets RoHS Standards
- ADA Compliant: No

50 x 50 x 23 mm

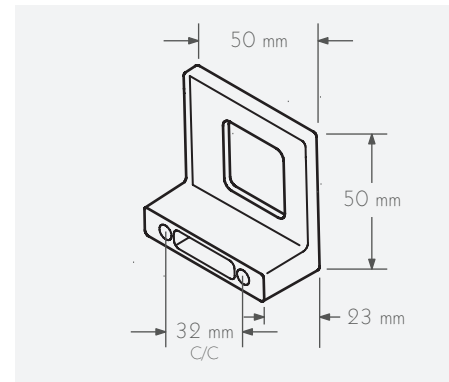
C/C 32 mm; M4 Thread

Polished Chrome \$14.00

Order Nr. 59162

Satin Nickel \$12.00

Order Nr. 59129



Schwinn Item Z198 Knob/Hook

Material: Zamak

Environmental Information:

- Fully Recyclable
 - Meets RoHS Standards
- ADA Compliant: No

44 x 27 x 32 mm

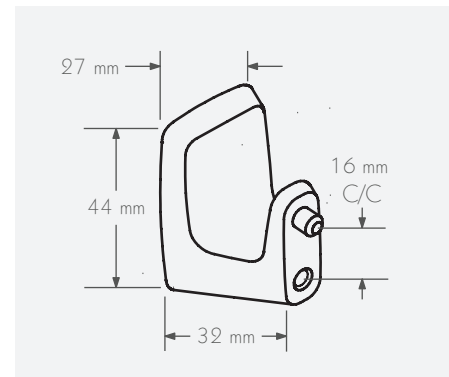
C/C 16 mm; M4 Thread

Polished Chrome \$16.00

Order Nr. 53896

Satin Nickel \$14.00

Order Nr. 59130



Schwinn Item Z199 Pull

Material: Zamak
Environmental Information:
- Fully Recyclable
- Meets RoHS Standards
ADA Compliant: No

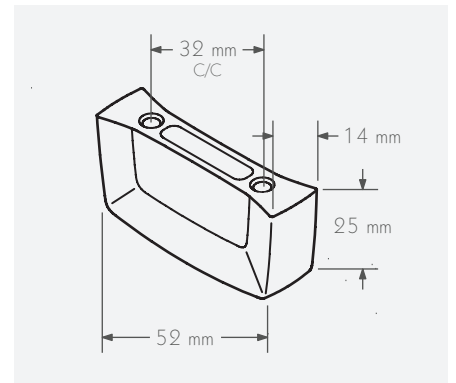
52 x 14 x 25 mm
C/C 32 mm; M4 Thread

Polished Chrome \$11.00

Order Nr. 59139

Satin Nickel \$10.00

Order Nr. 59138



Schwinn Item Z204 Handle

Material: Zamak
Environmental Information:
- Fully Recyclable
- Meets RoHS Standards
ADA Compliant: Yes

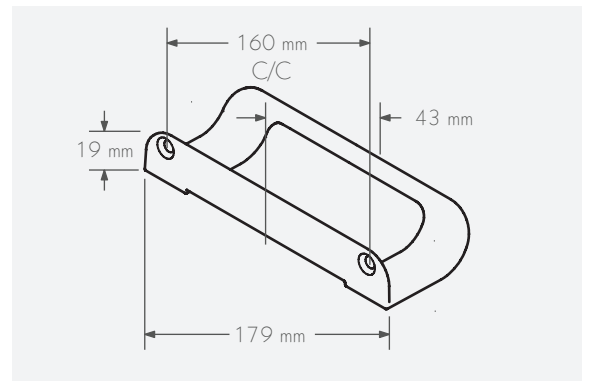
179 x 19 x 43 mm
C/C 160 mm; #6 Wood Screw

Polished Chrome \$20.00

Order Nr. 53769

Satin Nickel \$18.00

Order Nr. 59143



Schwinn Z240 Series

Material: Zamak

Environmental Information:

- Fully Recyclable
 - Meets RoHS Standards
- ADA Compliant: Yes

Schwinn Item Z240/128 Handle

141 x 12 x 32 mm

C/C 128 mm; M4 Thread

Polished Chrome \$14.00

Order Nr. 59147

Satin Nickel \$12.00

Order Nr. 59148

Dark Nickel \$13.00

Order Nr. 59149

Schwinn Item Z240/160 Handle

173 x 12 x 32 mm

C/C 160 mm; M4 Thread

Polished Chrome \$16.00

Order Nr. 53760

Satin Nickel \$14.00

Order Nr. 59150

Dark Nickel \$15.00

Order Nr. 59151

Schwinn Item Z240/320 Handle

333 x 12 x 32 mm

C/C 320 mm; M4 Thread

Polished Chrome \$24.00

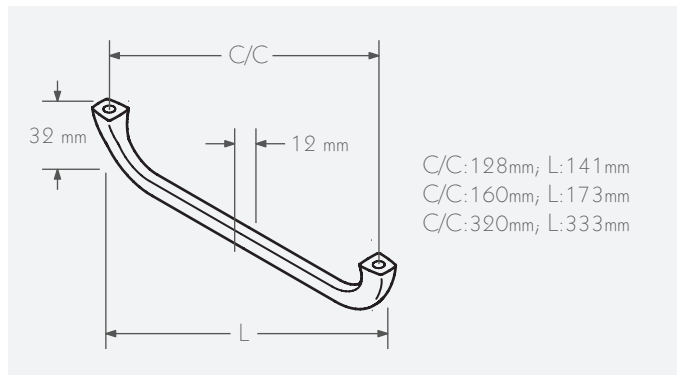
Order Nr. 53757

Satin Nickel \$22.00

Order Nr. 59152

Dark Nickel \$23.00

Order Nr. 59153



Schwinn 2930 Series

Material: Zamak
 Environmental Information:
 - Fully Recyclable
 - Meets RoHS Standards
 ADA Compliant: Yes

Schwinn Item 2930/96 Handle

120 x 15 x 30 mm

C/C 96 mm; M4 Thread

Polished Chrome \$12.00

Order Nr. 59160

Satin Nickel \$11.00

Order Nr. 59161

Schwinn Item 2930/160 Handle

192 x 19 x 32 mm

C/C 160 mm; M4 Thread

Polished Chrome \$18.00

Order Nr. 53737

Satin Nickel \$16.00

Order Nr. 52358

Schwinn Item 2930/320 Handle

350 x 19 x 32 mm

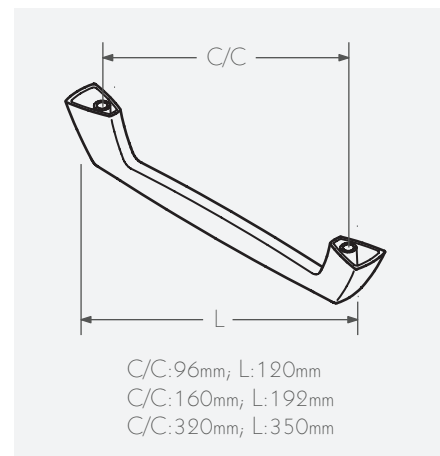
C/C 320 mm; M4 Thread

Polished Chrome \$36.00

Order Nr. 53866

Satin Nickel \$34.00

Order Nr. 59125



Schwinn 3243 Series

Material: Stainless Steel Grade 303

Environmental Information:

- Fully Recyclable
 - Meets RoHS Standards
- ADA Compliant: Yes

Schwinn Item 3243/128 Handle

140 x 12 x 36 mm

C/C 128 mm; M4 Thread

Brushed \$10.00

Order Nr. 51473

Schwinn Item 3243/160 Handle

172 x 12 x 36 mm

C/C 160 mm; M4 Thread

Brushed \$11.00

Order Nr. 51474

Schwinn Item 3243/192 Handle

204 x 12 x 36 mm

C/C 192 mm; M4 Thread

Brushed \$13.00

Order Nr. 51475

Schwinn Item 3243/256 Handle

268 x 12 x 36 mm

C/C 256 mm; M4 Thread

Brushed \$14.00

Order Nr. 51477

Schwinn Item 3243/320 Handle

332 x 12 x 36 mm

C/C 320 mm; M4 Thread

Brushed \$16.00

Order Nr. 51479

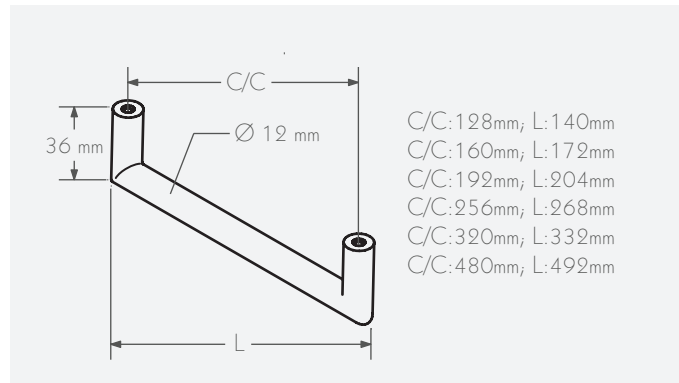
Schwinn Item 3243/480 Handle

492 x 12 x 36 mm

C/C 480 mm; M4 Thread

Brushed \$19.00

Order Nr. 51482



Schwinn 4588 Series

Material: Stainless Steel Grade 303

Environmental Information:

- Fully Recyclable
 - Meets RoHS Standards
- ADA Compliant: Yes

Schwinn Item 4588/320 Appliance

Pull

334 x 14 x 36 mm

C/C 320 mm; M6 Thread

Brushed \$46.00

Order Nr. 59113

Schwinn Item 4588/480 Appliance

Pull

494 x 14 x 36 mm

C/C 480 mm; M6 Thread

Brushed \$65.00

Order Nr. 59114

Schwinn Item 4588/ 736 Appliance

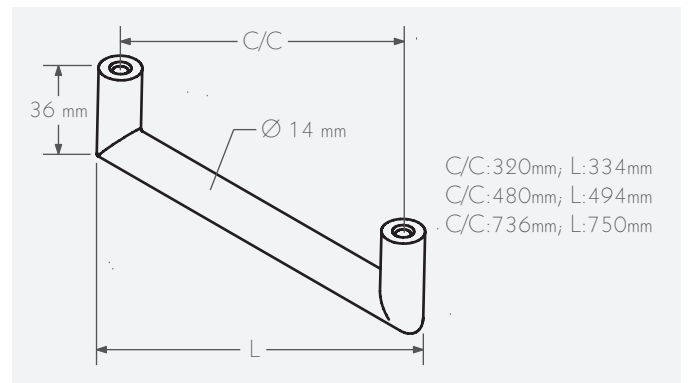
Pull

750 x 14 x 36 mm

C/C 736 mm; M6 Thread

Brushed \$98.00

Order Nr. 59115



Schwinn 4135 Series

Material: Stainless Steel Grade 303

Environmental Information:

- Fully Recyclable
 - Meets RoHS Standards
- ADA Compliant: Yes

Schwinn Item 4135/128 Handle

150 x 12 x 34 mm

C/C 128 mm; M4 Thread

Brushed \$11.00

Order Nr. 51984

Schwinn Item 4135/160 Handle

182 x 12 x 34 mm

C/C 160 mm; M4 Thread

Brushed \$12.00

Order Nr. 51985

Schwinn Item 4135/192 Handle

214 x 12 x 34 mm

C/C 192 mm; M4 Thread

Brushed \$13.00

Order Nr. 51986

Schwinn Item 4135/256 Handle

278 x 12 x 34 mm

C/C 256 mm; M4 Thread

Brushed \$14.00

Order Nr. 51988

Schwinn Item 4135/320 Handle

342 x 12 x 34 mm

C/C 320 mm; M4 Thread

Brushed \$16.00

Order Nr. 51990

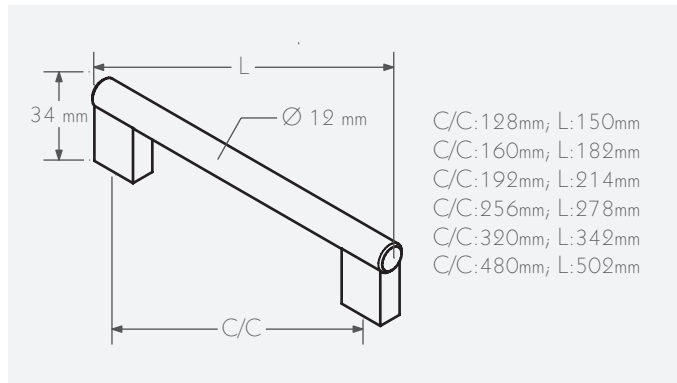
Schwinn Item 4135/480 Handle

502 x 12 x 34 mm

C/C 480 mm; M4 Thread

Brushed \$20.00

Order Nr. 51993



Schwinn 4587 Series

Material: Stainless Steel Grade 303
Environmental Information:
- Fully Recyclable
- Meets RoHS Standards
ADA Compliant: Yes

Schwinn Item 4587/320 Appliance

Pull

342 x 14 x 37 mm

C/C 320 mm; M6 Thread

Brushed \$46.00

Order Nr. 59116

Schwinn Item 4587/480 Appliance

Pull

502 x 14 x 37 mm

C/C 480 mm; M6 Thread

Brushed \$66.00

Order Nr. 59117

Schwinn Item 4587/736 Appliance

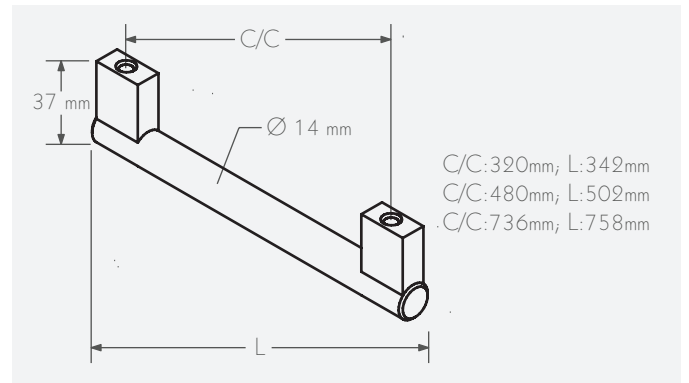
Pull

758 x 14 x 37 mm

C/C 736 mm; M6 Thread

Brushed \$99.00

Order Nr. 59118



Schwinn 3289 Series

Material: Stainless Steel Grade 303

Environmental Information:

- Fully Recyclable
 - Meets RoHS Standards
- ADA Compliant: Yes

Schwinn Item 3289/128 Handle

168 x 12 x 35 mm

C/C 128 mm; M4 Thread

Brushed \$9.00

Order Nr. 52242

Schwinn Item 3289/160 Handle

200 x 12 x 35 mm

C/C 160 mm; M4 Thread

Brushed \$10.00

Order Nr. 52243

Schwinn Item 3289/192 Handle

232 x 12 x 35 mm

C/C 192 mm; M4 Thread

Brushed \$11.00

Order Nr. 52244

Schwinn Item 3289/256 Handle

296 x 12 x 35 mm

C/C 256 mm; M4 Thread

Brushed \$12.00

Order Nr. 52246

Schwinn Item 3289/320 Handle

360 x 12 x 35 mm

C/C 320 mm; M4 Thread

Brushed \$14.00

Order Nr. 52248

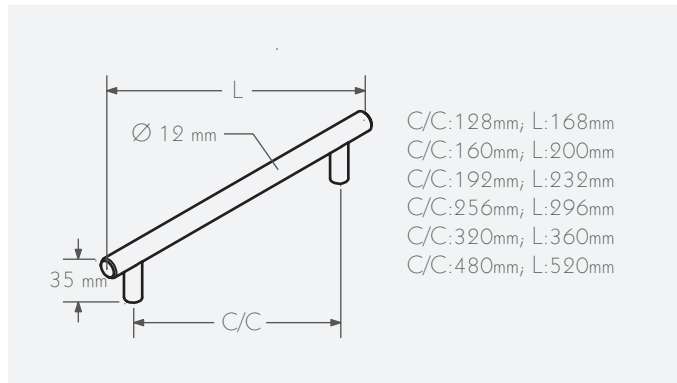
Schwinn Item 3289/480 Handle

520 x 12 x 35 mm

C/C 480 mm; M4 Thread

Brushed \$18.00

Order Nr. 52251



Schwinn 3343 Series

Material: Stainless Steel Grade 303
Environmental Information:
- Fully Recyclable
- Meets RoHS Standards
ADA Compliant: Yes

Schwinn item 3343/128 Handle

144 x 16 x 40 mm
C/C 128 mm; M4 Thread

Brushed \$17.00

Order Nr. 52313

Schwinn Item 3343/192 Handle

208 x 16 x 40 mm
C/C 192 mm; M4 Thread

Brushed \$19.00

Order Nr. 52315

Schwinn Item 3343/256 Appliance Pull

272 x 16 x 40 mm
C/C 256 mm; M6 Thread

Brushed \$23.00

Order Nr. 59119

Schwinn Item 3343/448 Appliance Pull

464 x 16 x 40 mm
C/C 448 mm; M6 Thread

Brushed \$45.00

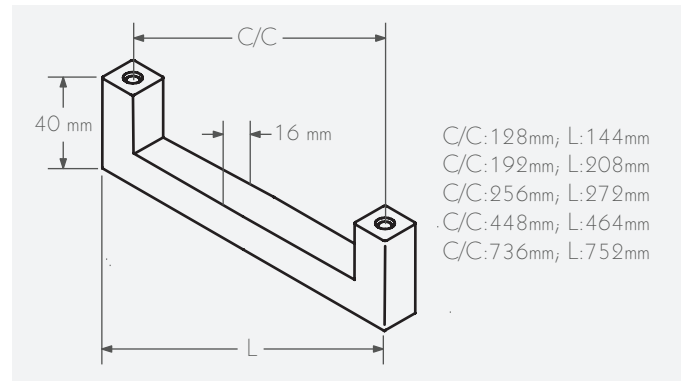
Order Nr. 59120

Schwinn Item 3343/736 Appliance Pull

752 x 16 x 40 mm
C/C 736 mm; M6 Thread

Brushed \$69.00

Order Nr. 59121



Schwinn 3132 Series

Material: Stainless Steel Grade 303

Environmental Information:

- Fully Recyclable
- Meets RoHS Standards

ADA Compliant: Yes for C/C 192mm +

Schwinn Item 3132/96 Handle

119 x 10 x 31 mm

C/C 96 mm; M4 Thread

Brushed \$6.00

Order Nr. 50009

Schwinn Item 3132/128 Handle

155 x 10 x 31 mm

C/C 128 mm; M4 Thread

Brushed \$7.00

Order Nr. 50010

Schwinn Item 3132/160 Handle

190 x 10 x 31 mm

C/C 160 mm; M4 Thread

Brushed \$9.00

Order Nr. 50011

Schwinn Item 3132/192 Handle

220 x 10 x 31 mm

C/C 192 mm; M4 Thread

Brushed \$10.00

Order Nr. 50012

Schwinn Item 3132/256 Handle

290 x 10 x 31 mm

C/C 256 mm; M4 Thread

Brushed \$15.00

Order Nr. 51072

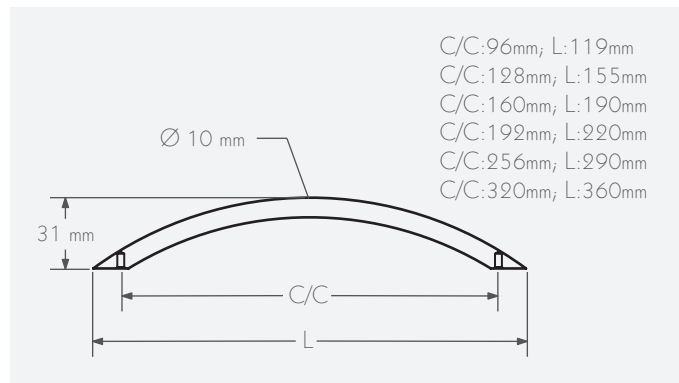
Schwinn Item 3132/320 Handle

360 x 10 x 31 mm

C/C 320 mm; M4 Thread

Brushed \$17.00

Order Nr. 50013



Schwinn 3072 Series

Material: Steel

Environmental Information:

- Fully Recyclable

- Meets RoHS Standards

ADA Compliant: Yes for C/C 192mm +

Schwinn Item 3072/160 Handle

190 x 10 x 31 mm

C/C 160 mm; M4 Thread

Satin Nickel \$11.00

Order Nr. 50090

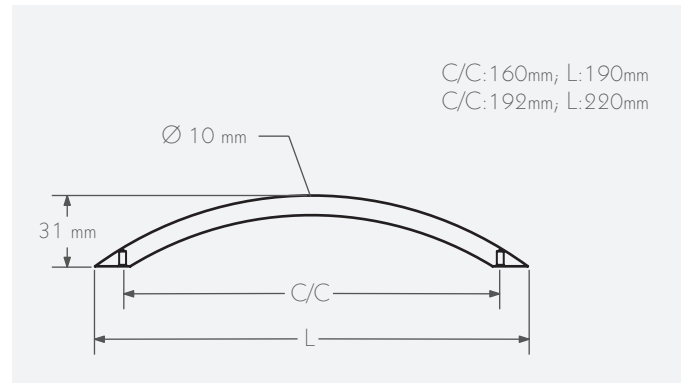
Schwinn Item 3072/192 Handle

220 x 10 x 31 mm

C/C 192 mm; M4 Thread

Satin Nickel \$12.00

Order Nr. 50096



Schwinn Item 4141 Knob

Material: Stainless Steel Grade 303

Environmental Information:

- Fully Recyclable
 - Meets RoHS Standards
- ADA Compliant: No

20 x 33 mm

C/C N/A; M4 Thread

Brushed \$10.00

Order Nr. 51970

Material: Steel

Environmental Information:

- Fully Recyclable
 - Meets RoHS Standards
- ADA Compliant: No

20 x 33 mm

C/C N/A; M4 Thread

Satin Nickel \$12.00

Order Nr. 59382

Polished Chrome \$12.00

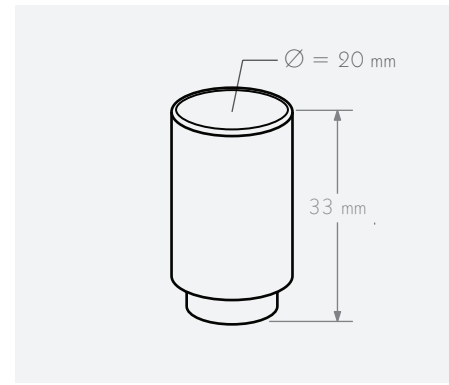
Order Nr. 59381

Matte Gold \$13.00

Order Nr. 59379

Matte Black \$12.00

Order Nr. 59380



Schwinn Item Z093 Hook

Material: Zamak

Environmental Information:

- Fully Recyclable
- Meets RoHS Standards

73 x 65 x 47 mm

C/C 20 mm; Countersunk for #8 Screw Head

Mounting Type: Concealed

Load Capacity: 44 lb

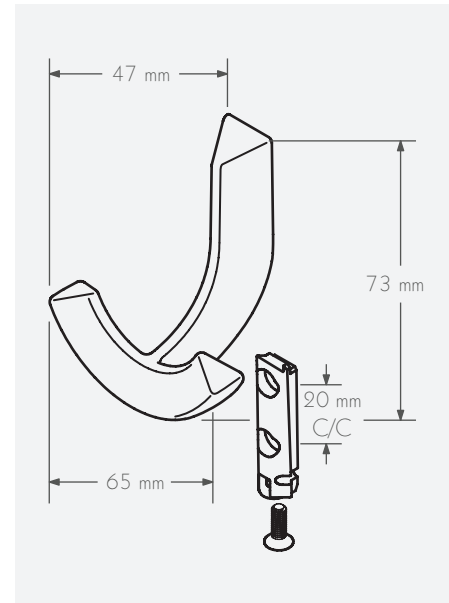
Provided Hardware: None

Polished Chrome \$22.00

Order Nr. 53426

Satin Nickel \$20.00

Order Nr. 59235



Schwinn Item 6025 Hook

Material: ABS

Environmental Information:

- Fully Recyclable
- Meets RoHS Standards

73 x 71 x 52 mm

C/C 23 mm; Countersunk for #8 Screw Head

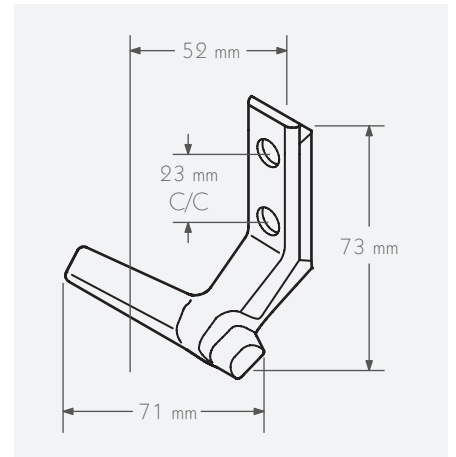
Mounting Type: Front

Load Capacity: 33 lb

Provided Hardware: None

Black \$4.00

Order Nr. 53376



Schwinn Item 6285 Hook

Material: ABS

Environmental Information:

- Fully Recyclable
- Meets RoHS Standards

160 x 23 x 98 mm

C/C 23 mm; Countersunk for #8 Screw Head

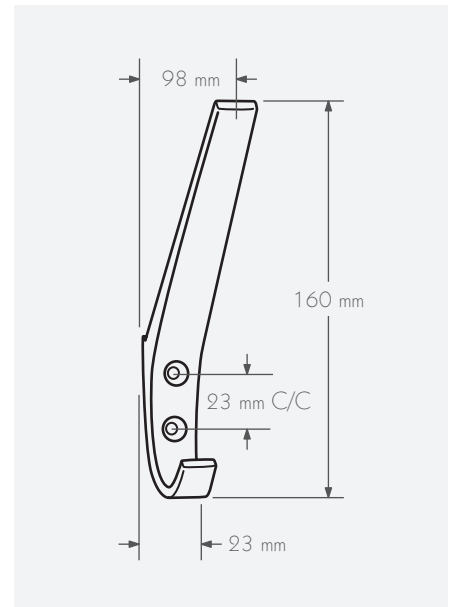
Mounting Type: Front

Load Capacity: 33 lb

Provided Hardware: None

Black \$5.00

Order Nr. 53381



Schwinn Item 6024 Hook

Material: ABS

Environmental Information:

- Fully Recyclable
- Meets RoHS Standards

167 x 71 x 97 mm

C/C 23 mm; Countersunk for #8 Screw Head

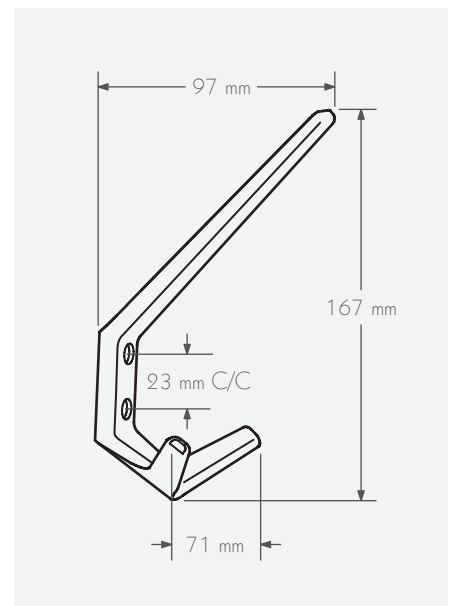
Mounting Type: Front

Load Capacity: 33 lb

Provided Hardware: None

Black \$6.00

Order Nr. 53371



Schwinn 4410 Series

Material: Stainless Steel

Environmental Information:

- Fully Recyclable
- Meets RoHS Standards

Schwinn Item 4410/26 Hook

30 x 10 x 26 mm

C/C N/A; M4 Thread

Mounting Type: Concealed

Load Capacity: 33 lb

Provided Hardware: Mounting Screw

Brushed \$8.00

Order Nr. 53651

Schwinn Item 4410/41 Hook

30 x 14 x 41 mm

C/C N/A; M4 Thread

Mounting Type: Concealed

Load Capacity: 33 lb

Provided Hardware: Mounting Screw

Brushed \$10.00

Order Nr. 53652

Schwinn Item 4410/61 Hook

30 x 14 x 61 mm

C/C N/A; M4 Thread

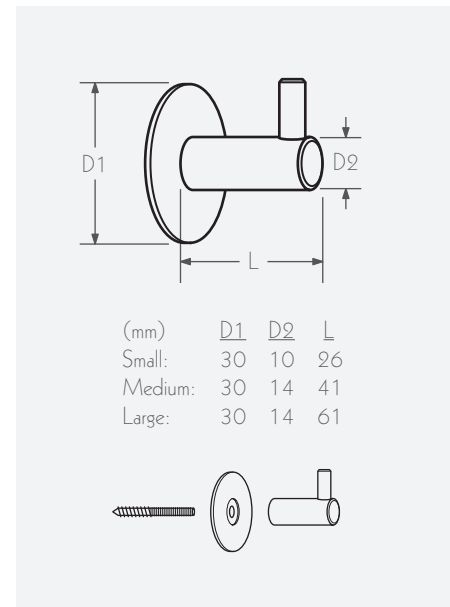
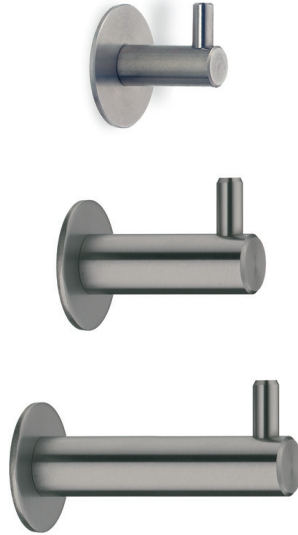
Mounting Type: Concealed

Load Capacity: 33 lb

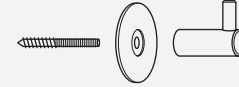
Provided Hardware: Mounting Screw

Brushed \$12.00

Order Nr. 53653



(mm)	D1	D2	L
Small:	30	10	26
Medium:	30	14	41
Large:	30	14	61



Schwinn 4398 Series

2-Piece Circular Cable Grommet

Material: Zamak
 Cable Grip: Rubber Star Cut
 Cap Fit: Twist Lock
 Environmental Information:
 - Fully Recyclable

Schwinn Item 4398 Small Grommet

56 x 15 mm (2 7/32 x 9/16 in)

Hole: 50 mm (2 in)

Polished Chrome \$6.00

Order Nr. 53468

Matte Chrome \$6.00

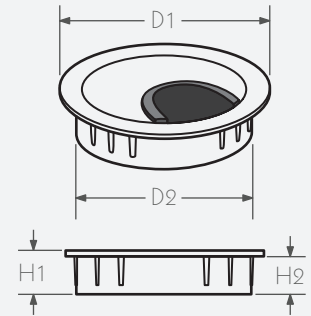
Order Nr. 53469

Satin Nickel \$6.50

Order Nr. 59164

Matte Black \$6.50

Order Nr. 59332



(mm)	D1	D2	H1	H2
Small:	56	50	15	13
Medium:	68	60	15	13
Large:	90	80	15	13

INSET DIM:
 Ø50/60/80x13 mm

Schwinn Item 4398 Medium Grommet

68 x 15 mm (2 5/8 x 9/16 in)

Hole: 60 mm (2 3/8 in)

Polished Chrome \$8.00

Order Nr. 53471

Matte Chrome \$8.00

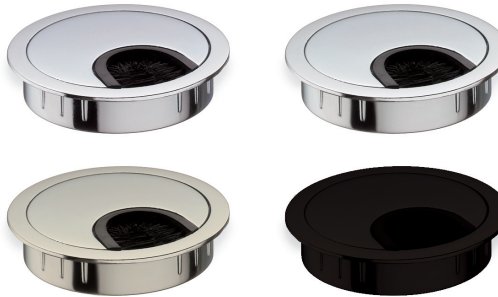
Order Nr. 53472

Satin Nickel \$9.00

Order Nr. 59167

Matte Black \$9.00

Order Nr. 59333



Schwinn Item 4398 Large Grommet

90 x 15 mm (3 1/2 x 9/16 in)

Hole: 80 mm (3 5/32 in)

Polished Chrome \$9.00

Order Nr. 53474

Matte Chrome \$9.00

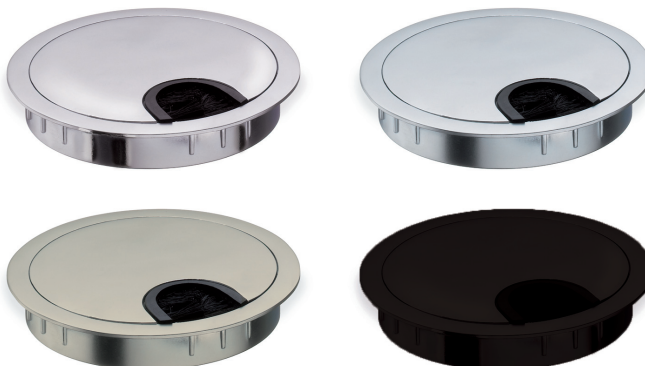
Order Nr. 53475

Satin Nickel \$10.00

Order Nr. 59131

Matte Black \$10.00

Order Nr. 59334



Schwinn 3766 Series

Material: Aluminum

Environmental Information:

- Fully Recyclable

- Meets RoHS Standards

ADA Compliant: No

Schwinn Item 3766/96 Tab Pull

224 x 19.5 x 38 mm

C/C 96 mm; #6 Wood Screw

Clear Anodized \$10.00

Order Nr. 59299

Nickel Color \$12.00

Order Nr. 59307

Dark Bronze \$12.00

Order Nr. 59315

Black \$12.00

Order Nr. 59323

Schwinn Item 3766/160 Tab Pull

300 x 19.5 x 38 mm

C/C 160 mm; #6 Wood Screw

Clear Anodized \$14.00

Order Nr. 59300

Nickel Color \$16.00

Order Nr. 59308

Dark Bronze \$16.00

Order Nr. 59316

Black \$16.00

Order Nr. 59324

Schwinn Item 3766/256 Tab Pull

376 x 19.5 x 38 mm

C/C 256 mm; #6 Wood Screw

Clear Anodized \$18.00

Order Nr. 59301

Nickel Color \$20.00

Order Nr. 59309

Dark Bronze \$20.00

Order Nr. 59317

Black \$20.00

Order Nr. 59325

Schwinn Item 3766/320 Tab Pull

452 x 19.5 x 38 mm

C/C 320 mm; #6 Wood Screw

Clear Anodized \$24.00

Order Nr. 59302

Nickel Color \$26.00

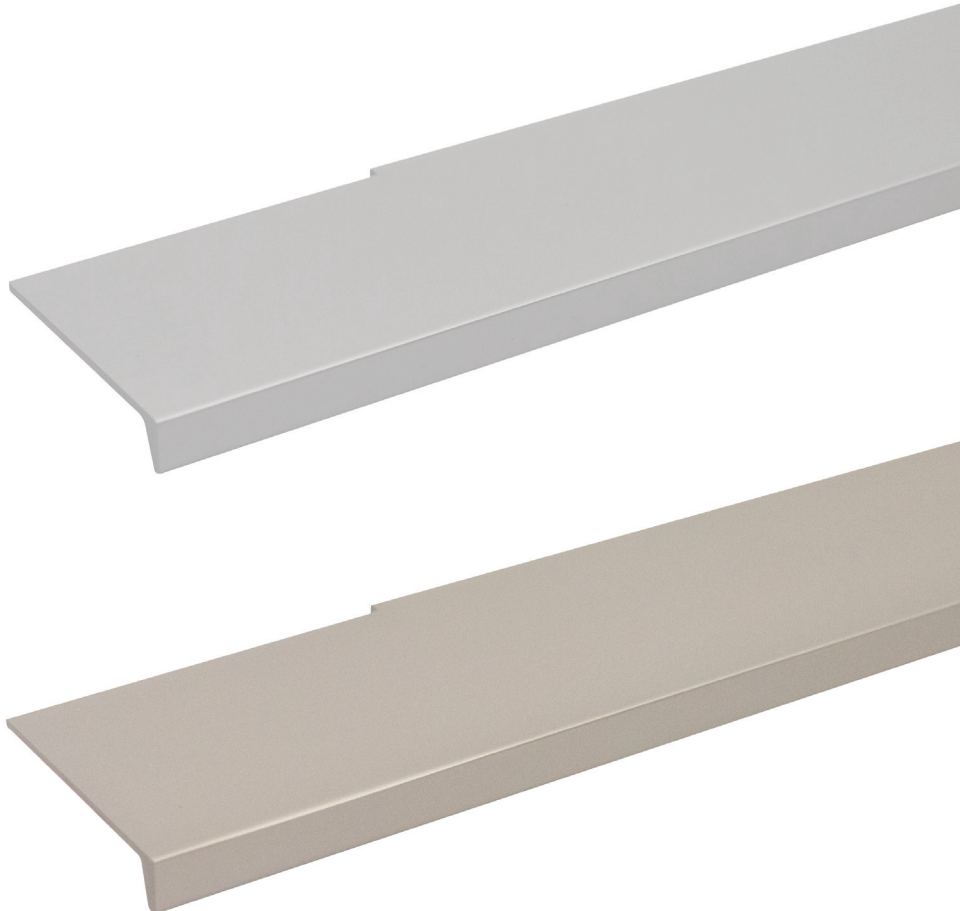
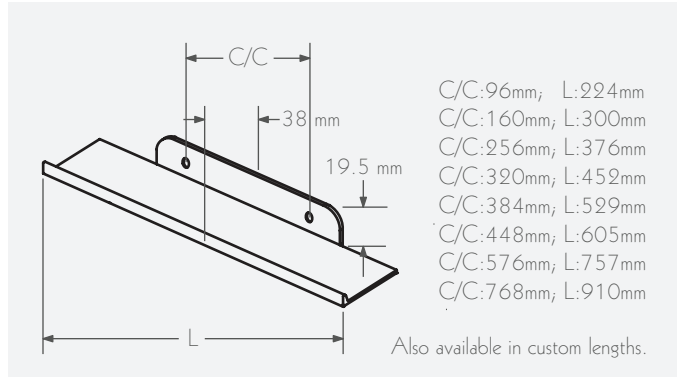
Order Nr. 59310

Dark Bronze \$26.00

Order Nr. 59318

Black \$26.00

Order Nr. 59326



Schwinn Item 3766/384 Tab Pull

529 x 19.5 x 38 mm

C/C 384 mm; #6 Wood Screw

Clear Anodized	\$28.00
Order Nr. 59303	
Nickel Color	\$30.00
Order Nr. 59311	
Dark Bronze	\$30.00
Order Nr. 59319	
Black	\$30.00
Order Nr. 59327	

Schwinn Item 3766/448 Tab Pull

605 x 19.5 x 38 mm

C/C 448 mm; #6 Wood Screw

Clear Anodized	\$34.00
Order Nr. 59304	
Nickel Color	\$38.00
Order Nr. 59312	
Dark Bronze	\$38.00
Order Nr. 59320	
Black	\$38.00
Order Nr. 59328	

Schwinn Item 3766/576 Tab Pull

757 x 19.5 x 38 mm

C/C 576 mm; #6 Wood Screw

Clear Anodized	\$38.00
Order Nr. 59305	
Nickel Color	\$42.00
Order Nr. 59313	
Dark Bronze	\$42.00
Order Nr. 59321	
Black	\$42.00
Order Nr. 59329	

Schwinn Item 3766/768 Tab Pull

910 x 19.5 x 38 mm

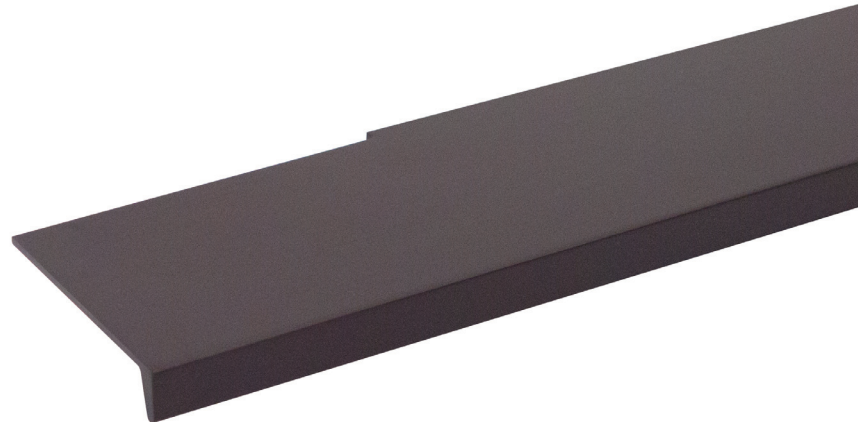
C/C 768 mm; #6 Wood Screw

Clear Anodized	\$48.00
Order Nr. 59306	
Nickel Color	\$52.00
Order Nr. 59314	
Dark Bronze	\$52.00
Order Nr. 59322	
Black	\$52.00
Order Nr. 59330	

Schwinn Item 3766 Custom Lengths

Each of the 8 in-stock lengths can be cut to a custom length up to 2 inches shorter than the stock length. Turnaround time for custom lengths is 2 business days. A one-time customization charge of \$50.00 applies per order.

One-Time Customization Charge	\$50.00
Order Nr. 59331	



Schwinn Handle-Free Cabinet Hardware CS3 Series

Material: Aluminum

Environmental Information:

- Fully Recyclable
 - Meets RoHS Standards
- ADA Compliant: No

Schwinn Item 33913-290 C-Channel

2.9 meters x 72.5 mm x 26 mm

Clear Anodized	\$45.00
Order Nr. 59240	
Nickel Color	\$51.00
Order Nr. 59241	
Dark Bronze	\$51.00
Order Nr. 59242	
Black	\$51.00
Order Nr. 59243	



Schwinn Item 33914-290 L-Channel

2.9 meters x 56.5 mm x 26 mm

Clear Anodized	\$36.00
Order Nr. 59244	
Nickel Color	\$42.00
Order Nr. 59245	
Dark Bronze	\$42.00
Order Nr. 59246	
Black	\$42.00
Order Nr. 59247	



Schwinn Item 33915-290 Vertical Channel

2.9 meters x 67 mm x 42 mm

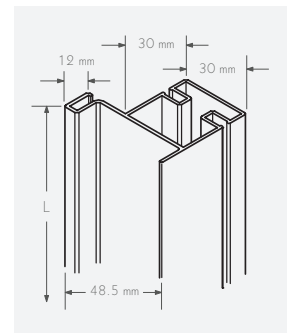
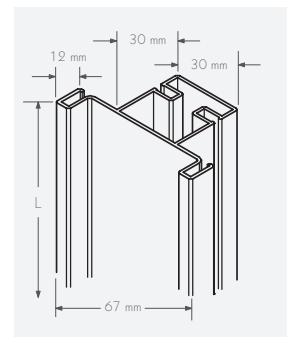
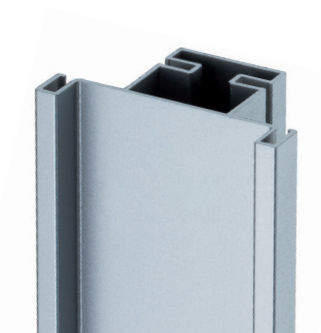
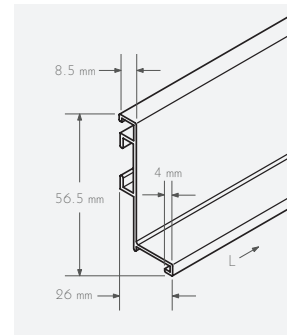
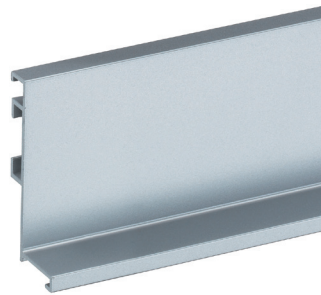
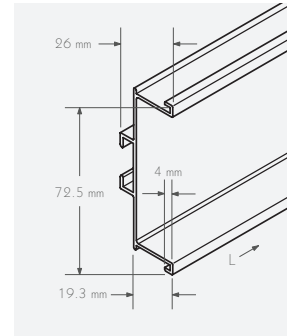
Clear Anodized	\$68.00
Order Nr. 59248	
Nickel Color	\$78.00
Order Nr. 59249	
Dark Bronze	\$78.00
Order Nr. 59250	
Black	\$78.00
Order Nr. 59251	



Schwinn Item 33916-290 Vertical End Channel

2.9 meters x 48.5 mm x 42 mm

Clear Anodized	\$60.00
Order Nr. 59252	
Nickel Color	\$68.00
Order Nr. 59253	
Dark Bronze	\$68.00
Order Nr. 59254	
Black	\$68.00
Order Nr. 59255	

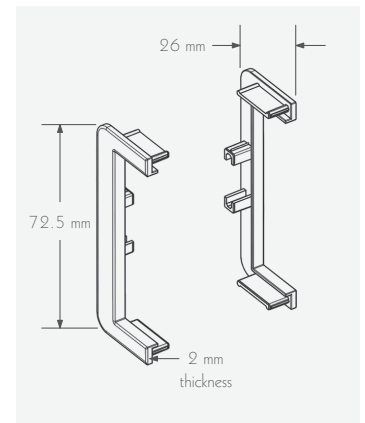


Schwinn Item 6K379

C Cap (L+R)

72.5 x 26 x 2 mm

Silver (matches Clear Anodized)	\$1.00
Order Nr. 59276	
Nickel Color	\$1.00
Order Nr. 59277	
Dark Bronze	\$1.00
Order Nr. 59278	
Black	\$1.00
Order Nr. 59279	

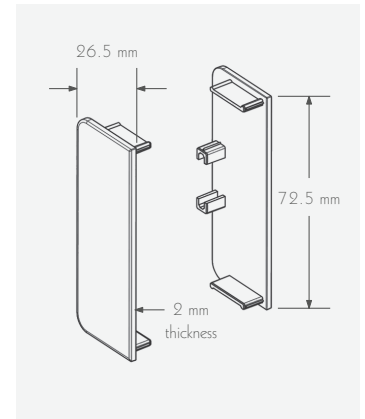
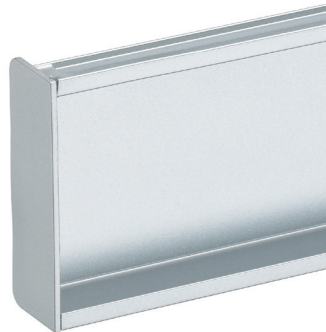


Schwinn Item 6K378

C Cap Rectangle (L+R)

72.5 x 26.5 x 2 mm

Silver (matches Clear Anodized)	\$1.00
Order Nr. 59272	
Nickel Color	\$1.00
Order Nr. 59273	
Dark Bronze	\$1.00
Order Nr. 59274	
Black	\$1.00
Order Nr. 59275	

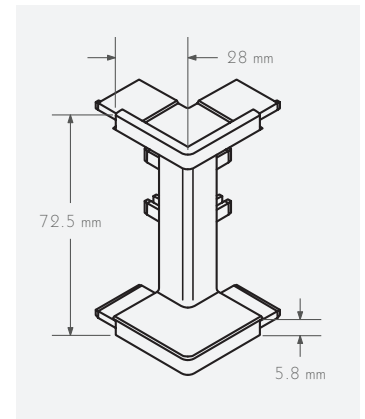
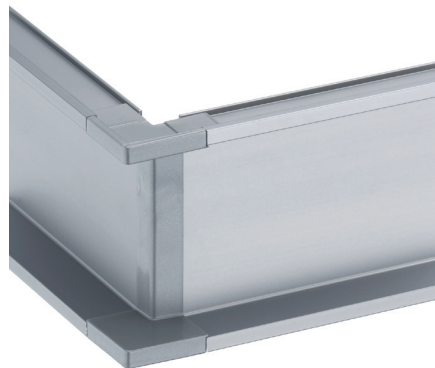


Schwinn Item 6K400-C

Outer Corner

72.5 x 28 x 28 mm

Silver (matches Clear Anodized)	\$1.50
Order Nr. 59288	
Nickel Color	\$1.50
Order Nr. 59289	
Dark Bronze	\$1.50
Order Nr. 59290	
Black	\$1.50
Order Nr. 59291	

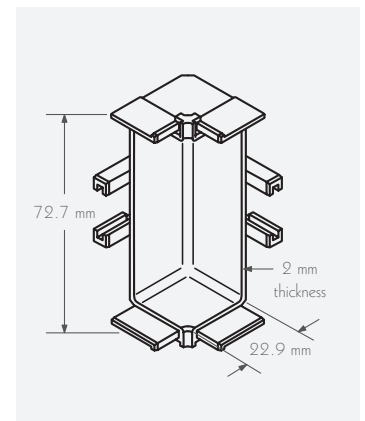
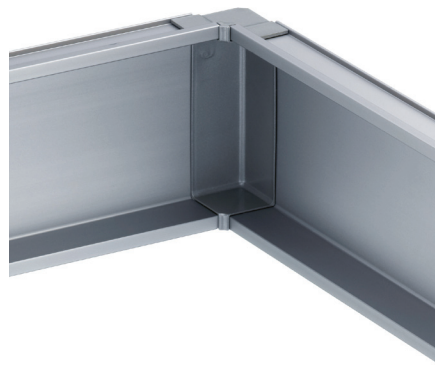


Schwinn Item 6K399-C

Inner Corner

72.7 x 22.9 x 27.4 mm

Silver (matches Clear Anodized)	\$1.50
Order Nr. 59280	
Nickel Color	\$1.50
Order Nr. 59281	
Dark Bronze	\$1.50
Order Nr. 59282	
Black	\$1.50
Order Nr. 59283	



CAD drawings available on request.

Schwinn Item 6K376

L Cap Left

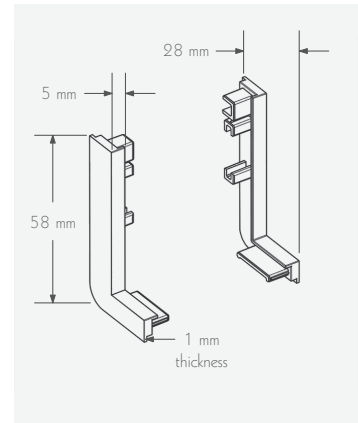
58 x 28 x 1 mm

Silver (matches Clear Anodized) \$1.00
Order Nr. 59256

Nickel Color \$1.00
Order Nr. 59257

Dark Bronze \$1.00
Order Nr. 59258

Black \$1.00
Order Nr. 59259



Schwinn Item 6K376

L Cap Right

58 x 28 x 1 mm

Silver (matches Clear Anodized) \$1.00
Order Nr. 59260

Nickel Color \$1.00
Order Nr. 59261

Dark Bronze \$1.00
Order Nr. 59262

Black \$1.00
Order Nr. 59263



Schwinn Item 6K377

L Cap Rectangle Left

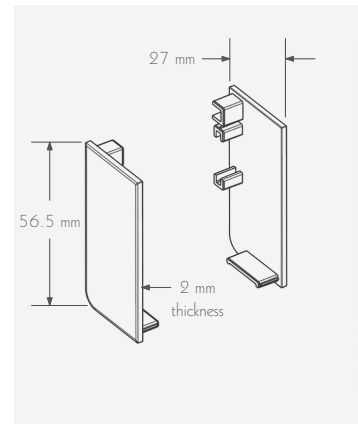
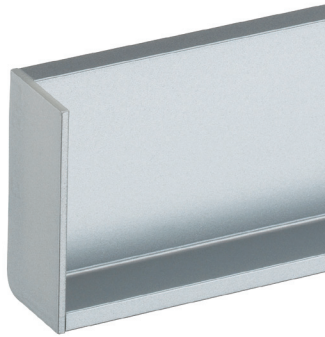
56.5 x 27 x 2 mm

Silver (matches Clear Anodized) \$1.00
Order Nr. 59264

Nickel Color \$1.00
Order Nr. 59265

Dark Bronze \$1.00
Order Nr. 59266

Black \$1.00
Order Nr. 59267



Schwinn Item 6K377

L Cap Rectangle Right

56.5 x 27 x 2 mm

Silver (matches Clear Anodized) \$1.00
Order Nr. 59268

Nickel Color \$1.00
Order Nr. 59269

Dark Bronze \$1.00
Order Nr. 59270

Black \$1.00
Order Nr. 59271



Go to www.schwinnhardware.com/nc/products/downloads.html to download video.

Schwinn Item 6K400-L

Outer Corner

56.5 x 28 x 28 mm

Silver (matches Clear Anodized) \$1.50

Order Nr. 59292

Nickel Color \$1.50

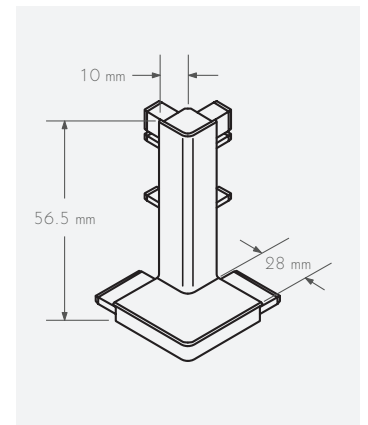
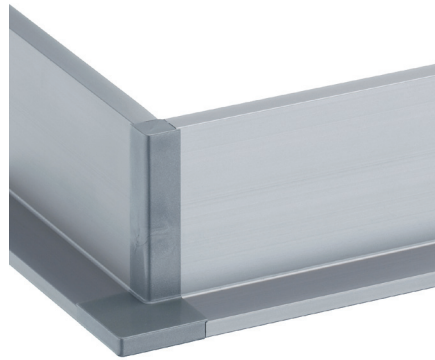
Order Nr. 59293

Dark Bronze \$1.50

Order Nr. 59294

Black \$1.50

Order Nr. 59295



Schwinn Item 6K399-L

Inner Corner

56.6 x 28.5 x 28.5 mm

Silver (matches Clear Anodized) \$1.50

Order Nr. 59284

Nickel Color \$1.50

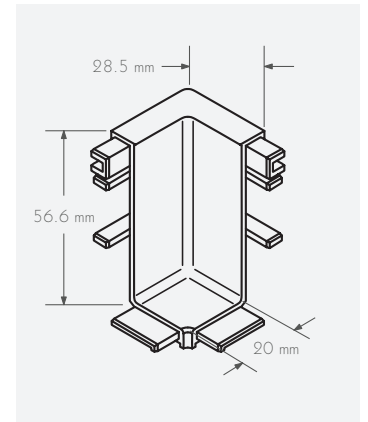
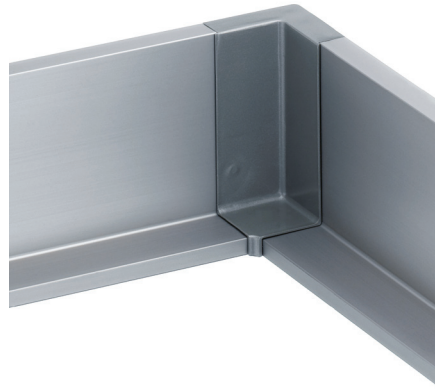
Order Nr. 59285

Dark Bronze \$1.50

Order Nr. 59286

Black \$1.50

Order Nr. 59287



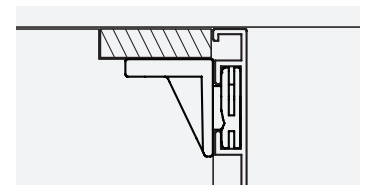
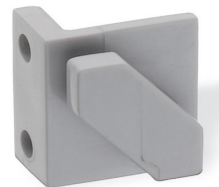
Schwinn Item 6K136

Corner Bracket

Use with L and C Channel
C/C 16 mm; #6 Wood Screw

Light Gray \$1.00

Order Nr. 59298



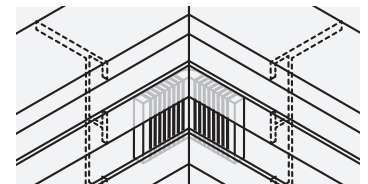
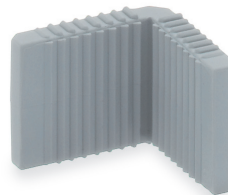
Schwinn Item 6K350

90 Degree Connector

Use with L and C Channel

Light Gray \$1.00

Order Nr. 59297



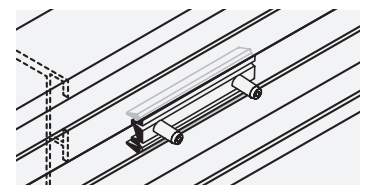
Schwinn Item 6K351

Straight Bracket

Use with L and C Channel

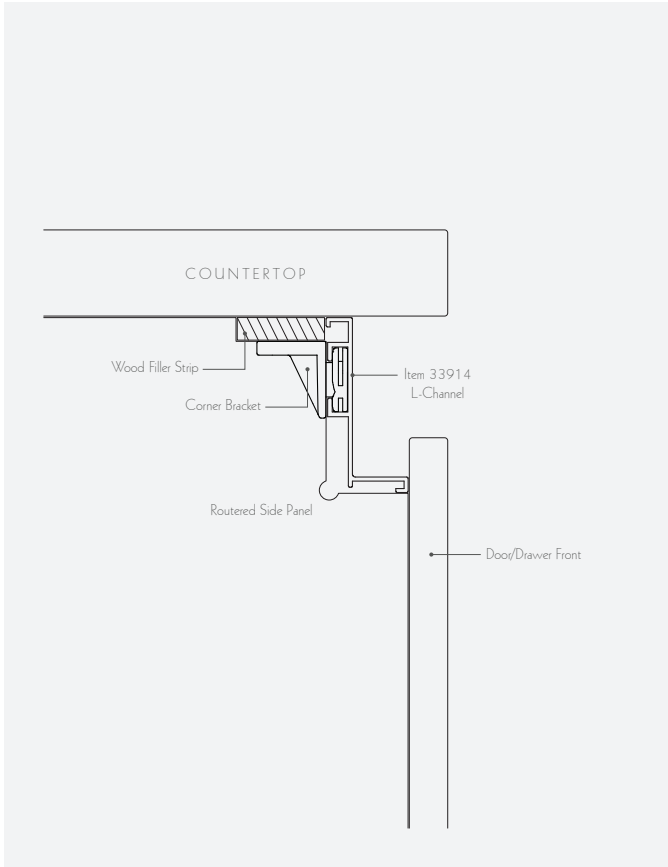
Light Gray \$1.00

Order Nr. 59296

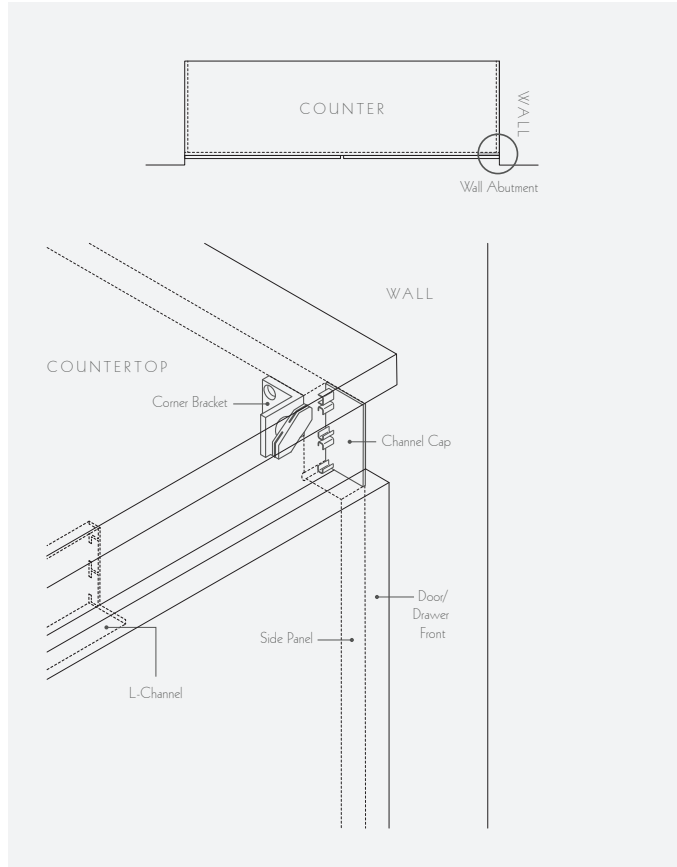


CAD drawings available on request.

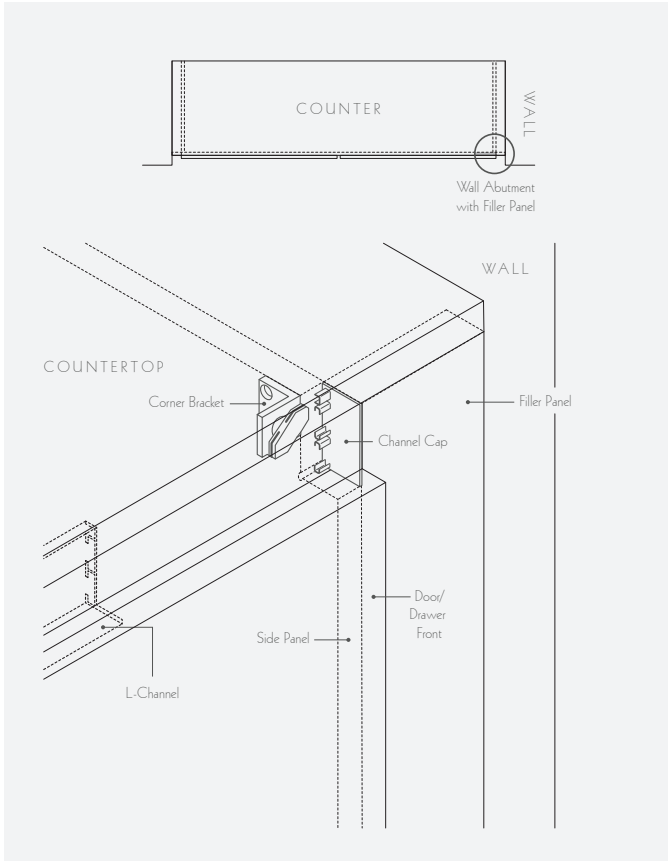
L-Channel Installation Detail



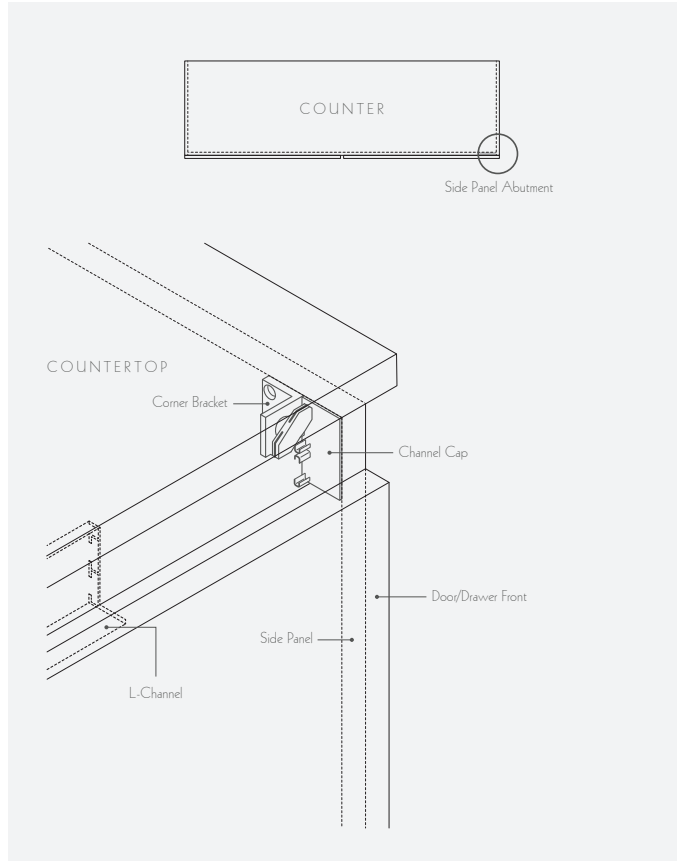
Wall Abutment Detail



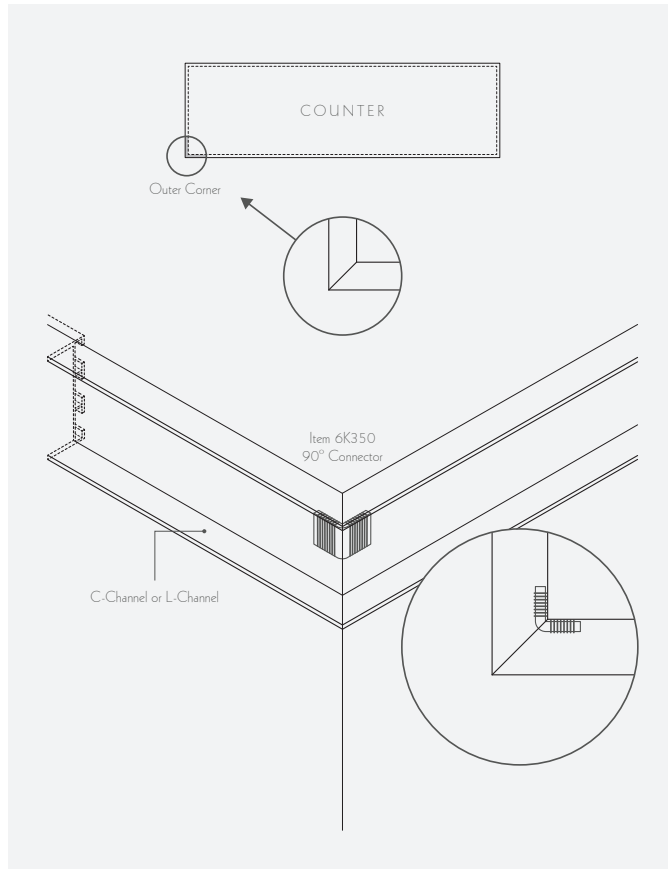
Wall Abutment with Filler Panel Detail



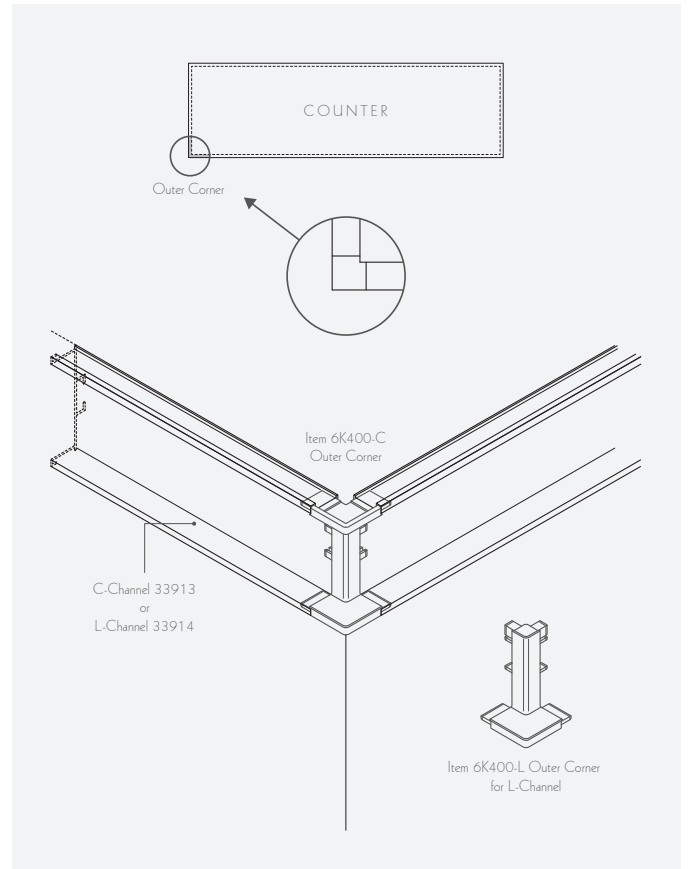
Side Panel Abutment Detail



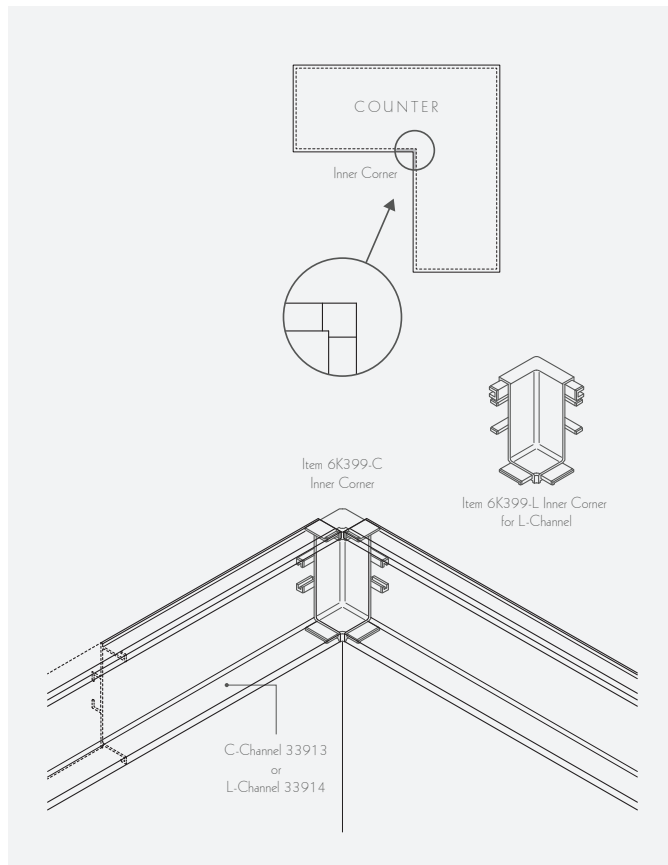
Mitered Outer Corner Detail



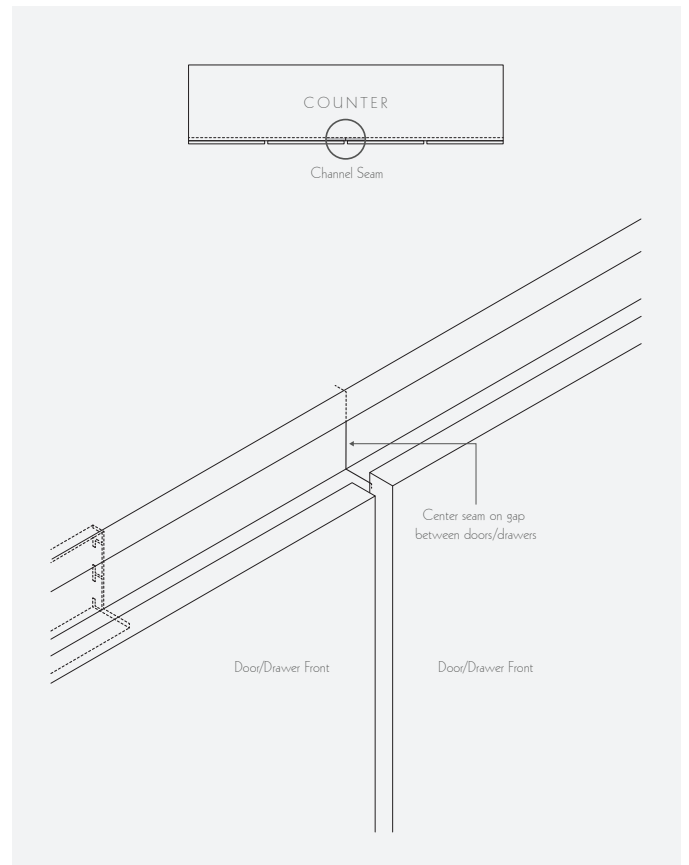
Straight Cut Outer Corner Detail



Straight Cut Inner Corner Detail



Seam Detail



Product Index

Order Nr.	Item Nr.	Page	Order Nr.	Item Nr.	Page	Order Nr.	Item Nr.	Page	Order Nr.	Item Nr.	Page
50009	3132	32	53475	4398	37	59147	Z240	24	59308	3766	38
50010	3132	32	53651	4410	36	59148	Z240	24	59309	3766	38
50011	3132	32	53652	4410	36	59149	Z240	24	59310	3766	38
50012	3132	32	53653	4410	36	59150	Z240	24	59311	3766	39
50013	3132	32	53737	2930	25	59151	Z240	24	59312	3766	39
50090	3072	33	53757	Z240	24	59152	Z240	24	59313	3766	39
50096	3072	33	53760	Z240	24	59153	Z240	24	59314	3766	39
50700	2022	10	53769	Z204	23	59154	Z245	22	59315	3766	38
50701	2022	10	53866	2930	25	59155	Z245	22	59316	3766	38
51072	3132	32	53896	Z198	22	59156	Z245	22	59317	3766	38
51182	2266	8	54230	Z389	18	59160	2930	25	59318	3766	38
51183	2266	8	54232	Z389	18	59161	2930	25	59319	3766	39
51395	2361	8	54233	Z389	18	59162	Z167	22	59320	3766	39
51396	2361	8	54234	Z389	18	59164	4398	37	59321	3766	39
51407	2361	8	54235	Z389	19	59167	4398	37	59322	3766	39
51473	3243	26	59000	Z398	8	59180	Z334	17	59323	3766	38
51474	3243	26	59001	2971	10	59181	Z334	17	59324	3766	38
51475	3243	26	59008	Z084	11	59229	3766	38	59325	3766	38
51477	3243	26	59009	Z075	12	59235	Z093	34	59326	3766	38
51479	3243	26	59010	Z037	21	59240	3913	40	59327	3766	39
51482	3243	26	59013	3621	15	59241	3913	40	59328	3766	39
51747	Z334	17	59019	2517	20	59242	3913	40	59329	3766	39
51749	Z334	17	59026	2548	17	59243	3913	40	59330	3766	39
51877	Z389	18	59027	2548	17	59244	3914	40	59332	4398	37
51970	4141	34	59028	2548	17	59245	3914	40	59333	4398	37
51984	4135	28	59030	Z011	21	59246	3914	40	59334	4398	37
51985	4135	28	59031	Z011	21	59247	3914	40	59335	2361	8
51986	4135	28	59045	Z334	17	59248	3915	40	59336	2361	8
51988	4135	28	59046	Z334	17	59249	3915	40	59337	3793	8
51990	4135	28	59050	Z045	14	59250	3915	40	59338	2935	10
51993	4135	28	59051	Z045	14	59251	3915	40	59339	2935	10
52242	3289	30	59054	2891	16	59252	3916	40	59340	3793	8
52243	3289	30	59055	2891	16	59253	3916	40	59341	2022	10
52244	3289	30	59056	2891	16	59254	3916	40	59342	2022	11
52246	3289	30	59057	2891	16	59255	3916	40	59343	2607	11
52248	3289	30	59058	Z078	13	59256	6K376-L L	42	59344	2607	11
52251	3289	30	59065	Z398	8	59257	6K376-L L	42	59345	2518	12
52287	2518	12	59067	Z334	17	59258	6K376-L L	42	59346	Z078	13
52288	2518	12	59068	3793	8	59259	6K376-L L	42	59347	2891	16
52290	2578	13	59069	3793	8	59260	6K376-L R	42	59348	2891	16
52291	2578	13	59070	3793	8	59261	6K376-L R	42	59349	2891	16
52313	3343	31	59071	3793	8	59262	6K376-L R	42	59350	2891	16
52315	3343	31	59072	Z005	8	59263	6K376-L R	42	59351	3756	15
52358	2930	25	59073	Z005	8	59264	6K377-L L	42	59352	3756	15
52518	2891	16	59074	Z022	10	59265	6K377-L L	42	59353	3756	15
52519	2891	16	59078	2607	11	59266	6K377-L L	42	59354	3756	15
52555	2607	11	59079	2607	11	59267	6K377-L L	42	59355	Z389	18
52556	2607	11	59082	Z084	11	59268	6K377-L R	42	59356	Z389	18
52682	2518	12	59085	3756	15	59269	6K377-L R	42	59357	Z389	18
52834	Z389	18	59086	3756	15	59270	6K377-L R	42	59358	Z389	18
52836	Z389	18	59087	Z389	19	59271	6K377-L R	42	59359	Z389	19
52837	Z389	19	59088	Z389	19	59272	6K378	41	59360	Z389	19
52898	2935	10	59089	Z389	18	59273	6K378	41	59361	Z389	19
52901	2935	10	59090	Z389	18	59274	6K378	41	59362	Z389	18
53026	2971	10	59091	Z389	18	59275	6K378	41	59363	Z389	18
53172	Z389	18	59092	Z389	18	59276	6K379	41	59364	Z389	18
53180	Z082	20	59093	Z389	19	59277	6K379	41	59365	Z389	18
53181	Z082	20	59094	Z389	19	59278	6K379	41	59366	Z389	19
53203	Z045	14	59095	Z389	19	59279	6K379	41	59367	Z389	19
53204	Z045	14	59096	Z334	17	59280	6K399-C	41	59368	Z389	19
53205	Z045	14	59098	2548	17	59281	6K399-C	41	59369	Z389	19
53206	Z045	14	59099	2548	17	59282	6K399-C	41	59370	Z389	19
53207	Z045	14	59100	2548	17	59283	6K399-C	41	59371	Z334	17
53208	Z045	14	59104	Z278	20	59284	6K399-L IC	43	59372	Z334	17
53210	2891	16	59105	Z278	20	59285	6K399-L IC	43	59373	Z334	17
53211	2891	16	59106	Z278	20	59286	6K399-L IC	43	59374	Z334	17
53213	2891	16	59107	2517	20	59287	6K399-L IC	43	59375	Z245	22
53214	2891	16	59110	Z114	21	59288	6K400-C	41	59376	Z245	22
53216	2891	16	59111	Z114	21	59289	6K400-C	41	59377	3621	15
53217	2891	16	59112	Z037	21	59290	6K400-C	41	59378	3621	15
53218	3756	15	59113	4588	27	59291	6K400-C	41	59379	4141	34
53220	3756	15	59114	4588	27	59292	6K400-L OC	43	59380	4141	34
53296	Z005	8	59115	4588	27	59293	6K400-L OC	43	59381	4141	34
53310	Z084	11	59116	4587	29	59294	6K400-L OC	43	59382	4141	34
53355	Z075	12	59117	4587	29	59295	6K400-L OC	43			
53358	Z078	13	59118	4587	29	59296	6K351	43			
53360	Z078	13	59119	3343	31	59297	6K350	43			
53371	6024	35	59120	3343	31	59298	6K136	43			
53376	6025	35	59121	3343	31	59300	3766	38			
53381	6285	35	59125	2930	25	59301	3766	38			
53426	Z093	34	59129	Z167	22	59302	3766	38			
53468	4398	37	59130	Z198	22	59303	3766	39			
53469	4398	37	59131	4398	37	59304	3766	39			
53471	4398	37	59138	Z199	23	59305	3766	39			
53472	4398	37	59139	Z199	23	59306	3766	39			
53474	4398	37	59143	Z204	23	59307	3766	38			

Item Nr.	Order Nr.	Page	Item Nr.	Order Nr.	Page	Item Nr.	Order Nr.	Page	Item Nr.	Order Nr.	Page
2022	50700	10	2891	53211	16	3766	59305	39	6K378	59274	41
2022	50701	10	2891	59347	16	3766	59313	39	6K378	59275	41
2022	59074	10	2891	53213	16	3766	59321	39	6K379	59276	41
2022	59341	10	2891	59055	16	3766	59329	39	6K379	59277	41
2022	59342	11	2891	53214	16	3766	59306	39	6K379	59278	41
2266	51183	8	2891	59348	16	3766	59314	39	6K379	59279	41
2266	51182	8	2891	52518	16	3766	59322	39	6K399-C	59280	41
2278	59106	20	2891	59056	16	3766	59330	39	6K399-C	59281	41
2278	59105	20	2891	52519	16	3793	59068	8	6K399-C	59282	41
2278	59104	20	2891	59349	16	3793	59069	8	6K399-C	59283	41
2334	51747	17	2891	53216	16	3793	59070	8	6K399-L IC	59284	43
2334	59046	17	2891	59057	16	3793	59071	8	6K399-L IC	59285	43
2334	51749	17	2891	53217	16	3793	59337	8	6K399-L IC	59286	43
2334	59096	17	2891	59350	16	3793	59340	8	6K399-L IC	59287	43
2334	59373	17	2930	59160	25	3913	59240	40	6K400-C	59288	41
2334	59371	17	2930	59161	25	3913	59241	40	6K400-C	59289	41
2334	59180	17	2930	53737	25	3913	59242	40	6K400-C	59290	41
2334	59045	17	2930	52358	25	3913	59243	40	6K400-C	59291	41
2334	59181	17	2930	53866	25	3914	59244	40	6K400-L OC	59292	43
2334	59067	17	2930	59125	25	3914	59245	40	6K400-L OC	59293	43
2334	59374	17	2935	52901	10	3914	59246	40	6K400-L OC	59294	43
2334	59372	17	2935	59338	10	3914	59247	40	6K400-L OC	59295	43
2361	51396	8	2935	52898	10	3915	59248	40	Z005	53296	8
2361	51395	8	2935	59339	10	3915	59249	40	Z005	59072	8
2361	51407	8	2971	59001	10	3915	59250	40	Z005	59073	8
2361	59335	8	2971	53026	10	3915	59251	40	Z011	59030	21
2361	59336	8	3072	50090	33	3916	59252	40	Z011	59031	21
2389	52834	18	3072	50096	33	3916	59253	40	Z037	59010	21
2389	59089	18	3132	50009	32	3916	59254	40	Z037	59112	21
2389	54230	18	3132	50010	32	3916	59255	40	Z045	53205	14
2389	59362	18	3132	50011	32	4135	51984	28	Z045	59050	14
2389	59355	18	3132	50012	32	4135	51985	28	Z045	53204	14
2389	51877	18	3132	51072	32	4135	51986	28	Z045	53203	14
2389	54232	18	3132	50013	32	4135	51988	28	Z045	53208	14
2389	59090	18	3243	51473	26	4135	51990	28	Z045	59051	14
2389	59363	18	3243	51474	26	4135	51993	28	Z045	53207	14
2389	59356	18	3243	51475	26	4141	51970	34	Z045	53206	14
2389	52836	18	3243	51477	26	4141	59382	34	Z075	59009	12
2389	59091	18	3243	51479	26	4141	59381	34	Z075	53355	12
2389	54233	18	3243	51482	26	4141	59379	34	Z078	53360	13
2389	59364	18	3289	52242	30	4141	59380	34	Z078	53358	13
2389	59357	18	3289	52243	30	4398	53468	37	Z078	59058	13
2389	53172	18	3289	52244	30	4398	53469	37	Z078	59346	13
2389	59092	18	3289	52246	30	4398	59164	37	Z082	53181	20
2389	54234	18	3289	52248	30	4398	59332	37	Z082	53180	20
2389	59365	18	3289	52251	30	4398	53471	37	Z084	53310	11
2389	59358	18	3343	52313	31	4398	53472	37	Z084	59008	11
2389	52837	19	3343	52315	31	4398	59167	37	Z084	59082	11
2389	59093	19	3343	59119	31	4398	59333	37	Z093	53426	34
2389	54235	19	3343	59120	31	4398	53474	37	Z093	59235	34
2389	59366	19	3343	59121	31	4398	53475	37	Z114	59110	21
2389	59359	19	3621	59013	15	4398	59131	37	Z114	59111	21
2389	59087	19	3621	59377	15	4398	59334	37	Z167	59162	22
2389	59094	19	3621	59378	15	4410	53651	36	Z167	59129	22
2389	59369	19	3756	53218	15	4410	53652	36	Z198	53896	22
2389	59367	19	3756	59085	15	4410	53653	36	Z198	59130	22
2389	59360	19	3756	59351	15	4587	59116	29	Z199	59139	23
2389	59088	19	3756	59353	15	4587	59117	29	Z199	59138	23
2389	59095	19	3756	53220	15	4587	59118	29	Z204	53769	23
2389	59370	19	3756	59086	15	4588	59113	27	Z204	59143	23
2389	59368	19	3756	59352	15	4588	59114	27	Z240	59147	24
2389	59361	19	3756	59354	15	4588	59115	27	Z240	59148	24
2398	59000	8	3766	59229	38	6024	53371	35	Z240	59149	24
2398	59065	8	3766	59307	38	6025	53376	35	Z240	53760	24
2517	59019	20	3766	59315	38	6285	53381	35	Z240	59150	24
2517	59107	20	3766	59323	38	6K136	59298	43	Z240	59151	24
2518	52288	12	3766	59300	38	6K350	59297	43	Z240	53757	24
2518	52682	12	3766	59308	38	6K351	59296	43	Z240	59152	24
2518	52287	12	3766	59316	38	6K376-L L	59256	42	Z240	59153	24
2518	59345	12	3766	59324	38	6K376-L L	59257	42	Z245	59154	22
2548	59026	17	3766	59301	38	6K376-L L	59258	42	Z245	59155	22
2548	59098	17	3766	59309	38	6K376-L L	59259	42	Z245	59156	22
2548	59027	17	3766	59317	38	6K376-L R	59260	42	Z245	59376	22
2548	59099	17	3766	59325	38	6K376-L R	59261	42	Z245	59375	22
2548	59028	17	3766	59302	38	6K376-L R	59262	42			
2548	59100	17	3766	59310	38	6K376-L R	59263	42			
2578	52291	13	3766	59318	38	6K377-L L	59264	42			
2578	52290	13	3766	59326	38	6K377-L L	59265	42			
2607	52555	11	3766	59303	39	6K377-L L	59266	42			
2607	52556	11	3766	59311	39	6K377-L L	59267	42			
2607	59078	11	3766	59319	39	6K377-L R	59268	42			
2607	59079	11	3766	59327	39	6K377-L R	59269	42			
2607	59343	11	3766	59304	39	6K377-L R	59270	42			
2607	59344	11	3766	59312	39	6K377-L R	59271	42			
2891	53210	16	3766	59320	39	6K378	59272	41			
2891	59054	16	3766	59328	39	6K378	59273	41			

General Information

1.

Terms: Net 30 days on established credit.

2.

Shipping and handling: all orders are shipped FOB Scottsdale, Arizona. Standard service level is ground shipping. Fees apply. Third party and rush shipping available. Please provide account number and specify service level. Drop shipment available upon request.

3.

Returned goods: merchandise may be returned only with our approval within 30 days of receipt of merchandise. A Schwinn issued RGA number must accompany all returns. Returns must be sent freight prepaid unless we have agreed in writing to issue a call tag.

4.

Minimum order: one (1) piece. A \$10.00 handling fee applies to orders valued at less than \$50.00 net.

5.

Samples: up to three samples (three different items) are provided free of charge. Shipping charges apply. Sample orders from \$25.00 to \$50.00 net will be memo invoiced and credited to a subsequent order of \$250.00 or more placed within 90 days. Sample orders of \$50.00 or more will be invoiced at suggested retail prices minus applicable discount.

6.

Prices: prices in this catalog are suggested retail prices per piece and are subject to change without notice.

7.

Claims: shortages, damages or discrepancies between ordered and received items of any kind must be reported to Schwinn within 48 hours from the date the shipment was received. Schwinn is not responsible for damage to merchandise caused by the delivery carrier.

8.

Our craftsmen and finish experts strive to maintain consistent quality in all of our products. Variations in finish color, sheen, and texture occur naturally and do not constitute a defect. The specific range of variation depends on the finishing process. We do not guarantee the match of a finish to a sample, different model, or different production runs.

9.

Warranty: Schwinn warrants that its products are free from defects in workmanship and materials. Schwinn is not responsible for failure due to incorrect installation, failure to follow mounting instructions or use of product in a manner for which it was not designed. Failure due to abuse, misuse or accident, any failure due to dismantling, alteration, or repair by any person not authorized by Schwinn. Failure due to incorrect maintenance. Fair wear and tear. Cost of removal, installation and freight. Deterioration and discoloring of finishes over time due to climate conditions.

10.

Liability: Schwinn's liability hereunder is limited to the purchase price of the product. In no event shall Schwinn be liable for any consequential, indirect, incidental or special damages of any nature arising from the sale or use of the product, whether in contract, tort, strict liability or otherwise.

11.

Screws: all our handles and knobs require the use of metric screws. If "cut-off" screws are used: these screws can be cut at specific increments to accommodate the most common panel thicknesses. Please use end cutting or side cutting pliers and cut at specific increments only. Improperly cut screws will damage the tapping in the handle or knob.

12.

Care of hardware: please use a damp, non-abrasive cloth or sponge and mild soap only.

13.

Displays: a high quality display program for showrooms with sample boards for wall or free-standing presentation is available upon request.

Metric – Imperial Conversion

16 mm	=	5/8"
32 mm	=	1 1/4"
48 mm	=	1 7/8"
64 mm	=	2 1/2"
96 mm	=	3 3/4"
128 mm	=	5"
160 mm	=	6 5/16"
192 mm	=	7 1/2"
224 mm	=	8 13/16"
256 mm	=	10 1/16"
320 mm	=	12 5/8"
352 mm	=	13 7/8"
360 mm	=	14 3/16"
448 mm	=	17 5/8"
480 mm	=	18 15/16"
736 mm	=	29"



