

LED Lighting Systems for Furniture



LED lets your furniture shine

The new LED lighting system from Schwinn adds accent lighting as a new design element to your furniture. More than just casting beautiful light, Schwinn LED lighting aids orientation in a hallway, prevents injuries and allows fast access. Very low energy consumption and low operating temperature guarantee longevity.

Schwinn LED lighting uses new flexible ultra-thin wiring, allowing totally new ways of cable management in furniture design. Ultra-thin film wire, available also in a decorative finish to match your furniture, delivers power to any part of the furniture. Together with several ingenious detail solutions – from live hinges to contacts and connectors – the system provides solutions for all challenges.



Advantages and versatility

- Very high color rendering level
- Very high longevity
- Low energy consumption
- No IR/UV radiation
- No buzzing sound
- Very low operating temperature
- Impact resistant
- Instant ON
- No toxic elements like mercury or heavy metals (RoHS certified)



LED Lighting System for drawers / 2 x LED / 1.8W

Art. 6K367

Content

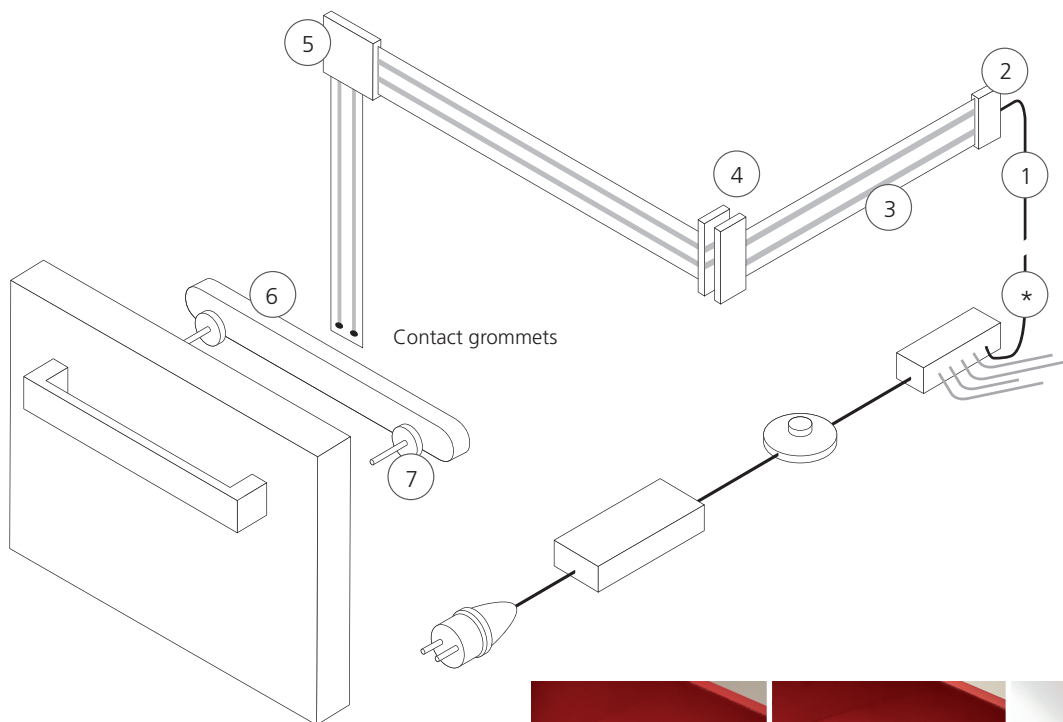
1. Hard wire (44652)
2. Film wire connector (6K384)
3. 1.2 m (4') film wire (44650)
4. Flex connectors male/female for drawers (6K382A+B)
5. Corner connector (6K381)
6. Clip strip with integrated LED board (6K367)
7. 2 x Screw with knurled thumb turn and fiber optic core (44393)

Hardware: 6 wood screws

* Available options:

Art. Nr. 44649

Transformer with floor switch and 5 ports for up to 5 handles



[Link to installation instructions](#)



Installation



LED Lighting System for hinged doors / 2 x LED / 1.8 W

Art. 6K367

Content

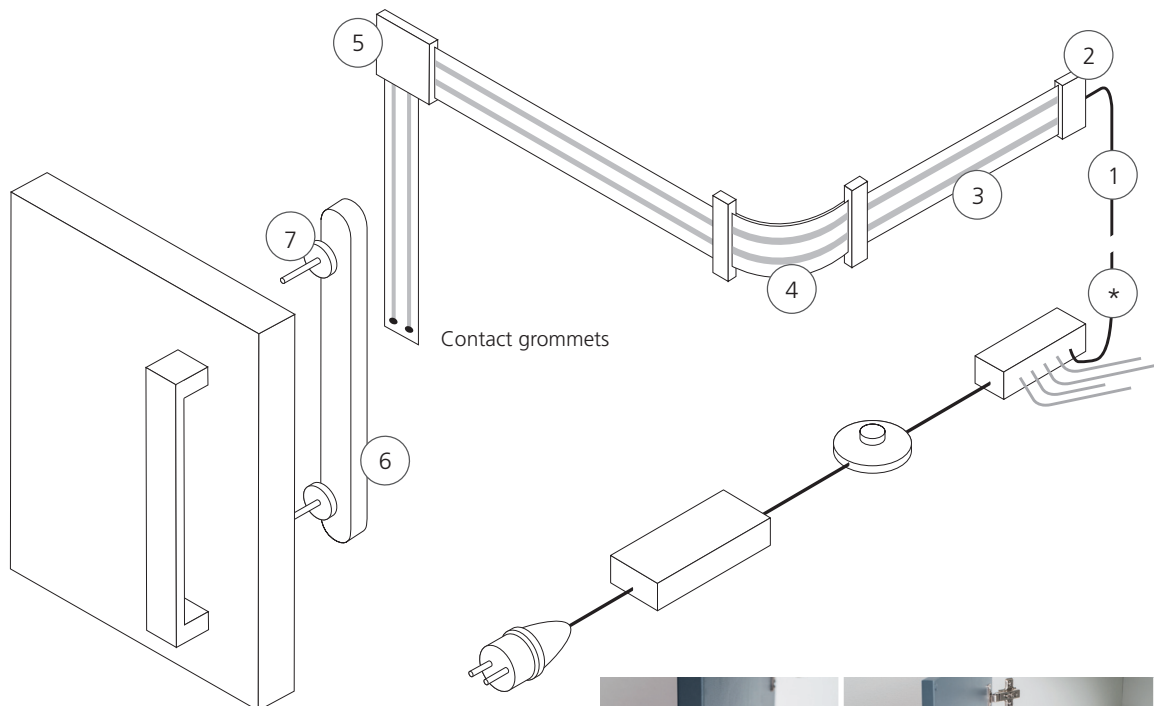
1. Hard wire (44652)
2. Film wire connector (6K384)
3. 1.2 m (4') film wire (44650)
4. Live hinge for hinged door (6K336)
5. Corner connector (6K381)
6. Clip strip with integrated LED board (6K367)
7. 2 x Screw with knurled thumb turn and fiber optic core (44393)

Hardware: 6 wood screws

* Available options:

Art. Nr. 44649

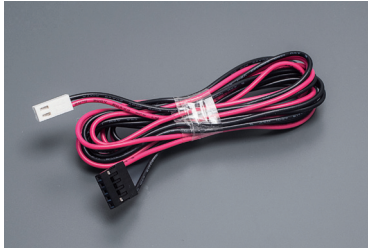
Transformer with floor switch and 5 ports for up to 5 handles



Installation



Parts for furniture LED Lighting Systems



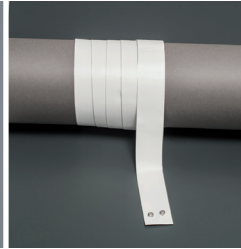
Hard wire

Art. 44652



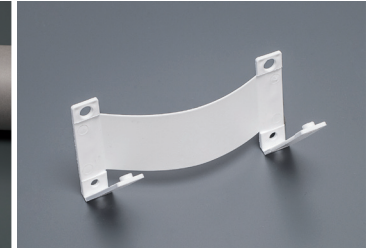
Film wire connector

Art. 6K384



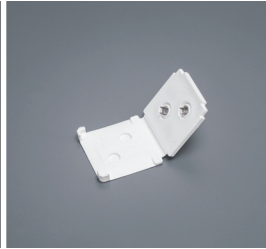
Film wire

Art. 44650



Live hinge for hinged doors

Art. 6K336



Corner connector

Art. 6K381



Flex connector male
for drawers

Art. 6K382A



Flex connector
female for drawers

Art. 6K382B



Clip strip with integrated LED
board (inside view)

Art. 6K367



Clip strip with integrated LED
board (outside view)

Art. 6K367

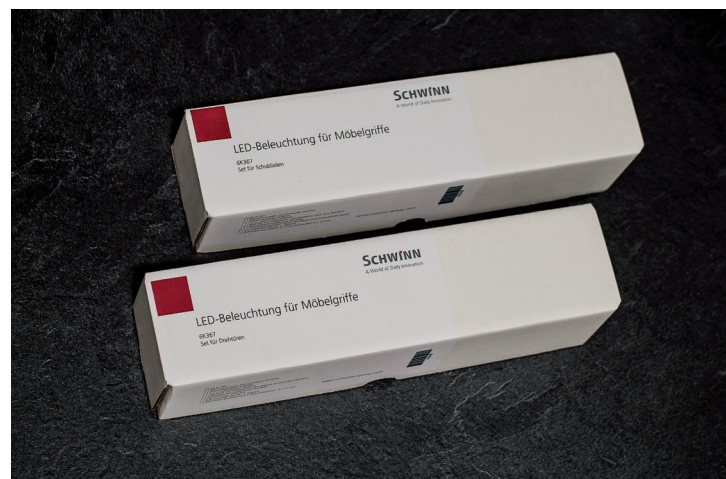


Screw with knurled thumb
turn and fiber optic core

Art. 44393

Packaging

LED Lighting Systems come in complete sets with all accessories for either drawer or hinged door application.





Bringing space to life with LED Lighting Systems

LED Lighting Systems give furniture a new dimension.

- Ambient lighting, easy to install
- Can be used with any furniture
- Enhances existing furniture
- Applications: Media rooms, bedrooms, kids' rooms, kitchens, hotels, restaurants, stores

Schwinn Hardware Inc.

15540 N 77th Street
Scottsdale, Arizona 85260

Phone 480.259-3107
Email sales@schwinnhardware.com
Internet us.schwinn-group.com