

Sliding Door Fittings : 02
Technical Information 05 :



Evidence of Performance Hardware for sliding doors as per DIN EN 1527 : 1998

Test Report 215 43216

Translation of Test Report 215 43216 dated
16 August 2010

Client **ABP-Beyerle GmbH**
Im Schollengarten 24b
D-76646 Bruchsal



Basis

DIN EN 1527 : 1998 – Hardware for sliding doors and folding doors - Requirements and test methods

Representation



Instructions for use

This test report serves to verify the performance of hardware as per DIN EN 1527 : 1998

Validity

The data and results given refer solely to the tested construction products.

Notes on publication

The ift Guidance Sheet "Conditions and Guidance for the Use of ift Test Documents" applies. The cover sheet can be used as an abstract.

Contents

This report comprises a total of 39 pages:
1 Object
2 Procedure
3 Detailed results
4 Evaluation of test results
5 Overall assessment
Annex 1 (26 pages)

Construction product	Hardware for sliding doors
Designation	Flatec 1; Flatec 2; Unotec Home; Tritec; Antra 1; Antra 2
Item numbers for timber doors	USO45; USO55; USH35; USO65; USO47; USO56
Item numbers for glass doors	USO44; USH34; USO64; USO46;
Track	PEF-US-LS18W
Rollers for timber doors	USO121EF; USO130EF; USH105EF; USO123EF; USO129EF; USO131EF
Rollers for glass doors	USO120EF; USH100EF; USO122EF; USO126EF
Wall connection	USO215EF(timber door) and USO210EF(glass door)
Max. load-bearing capacity	100 kg
Fixing of track supports	M8 stud screw
Installation and assembly	According to installation and assembly instructions of company ABP-Beyerle GmbH



The hardware for sliding doors qualifies for the following classification as per DIN EN 1527:1998:

Category of use	Durability	Door mass	Fire resistance	Safety	Corrosion resistance	Security	Application	Initial friction
-/-	6	2	0	-/-	4	-/-	1	3

ift Rosenheim
9 September 2010

Christian Kehrer
Christian Kehrer, Dipl.-Ing. (FH)
Head of Testing Department

A. Spreitzer
Alexander Spreitzer
Product engineer
Building components

PTE Rosenheim GmbH
ift Zentrum – Türen, Tore, Sicherheit
Geschäftsführer:
Dr. Jochen Pechtl

Theodor-Greif-Str. 7 – 9
D-83026 Rosenheim
Tel.: +49 (0)90517281-0
Fax: +49 (0)90517281-226
www.pte-rosenheim.de

Sitz: 83026 Rosenheim
AG Traunstein, HRB 14822
Sparkasse Rosenheim
Nto. 500 435 905
BLZ 711 500 00

Notified Body No.: 0757
Anerkannte PUZ-Stelle: BAY 18
 TÜV SÜD DAP-PL0908 99

Fittings for sliding doors
in accordance
with DIN EN 1527 : 1998

The testing institute ift Rosenheim has successfully tested our ABP-Beyerle sliding door systems for glass or wooden doors. The assessment tests apply for the systems Flatec I, Flatec II, Unotec Home, Duetec, Tritec, Antra I, Antra II among others.

Duration of functional ability:
100,000 cycles

Door mass:
100 kg, (Duetec 60 kg)

Corrosion resistance:
240 h salt spray fog test
in accordance with EN 1670

Initial friction:
less than or equal to 40 N
(with a 100 kg door)

: Contents

Base bottom roller	4 - 5	Wall and ceiling fixtures	24 - 26
Sets for glass sliding doors	6 - 12	Mounting on glass	26
Sets for wooden sliding doors	13 - 20	Trolleys	27 - 30
Planning guide (extract)	21 - 23	Door stoppers , Bottom guides	30 - 31
System components for sliding doors	24 - 31	System components for Silent Glam	32 - 33
Guide rails	24	Door handles, flush handles	34 - 35

Model, program, technical modifications, information and errors are excepted. The right to make design or specification changes is reserved at any time.



ABP  **beyerle**
inspiration:quality

home  **jewels**[®]

Sliding door systems made from stainless steel

Sliding doors made from glass and wood are fascinating and lend rooms a special flair. Visible technology and high-grade craftsmanship set new accents in room design. All products are characterised by their solid construction, easy use and very quiet movement. There are different designs of sliding door systems for glass and wood doors available to satisfy your designing needs: Flatec I and II, Unotec, Duetec, Tritec, Antra I and II, Shield, Skater and Base bottom roller Silent Glam.

You can choose prefabricated sets or individually plan your sliding door system. We can supply a large selection of fitting door handles and grip shells. Please refer to www.abp-beyerle.com for new designs and extensive information.



▨ : Silent Glam I Glass ▨

Complete-sets, standard model $t = 5/16'' - 1/2''$ consisting of:

- 1 Ceiling guide rail, stainless steel optic, USO82EO
- 1 Stopper set USO82-S
- 1 Slide protection set (felt)
- 1 Bottom guide rail, stainless steel, USO86.1EF (with drilling)
length: see table
- 1 Pair of base bottom rollers, stainless steel, USO180EF
- 1 Allen key (SW2,5), Z927
- 1 Installation instructions

Set numbers	Ceiling/bottom rail length	Passage width
$t = 5/16'' - 1/2''$	inch	inch
USO80.1-1900EF	74 $3/16''$	29 $1/2'' - 35 7/16''$
USO80.1-2100EF	82 $11/16''$	35 $13/16'' - 39 3/8''$
USO80.1-2350EF	92 $1/2''$	39 $3/4'' - 44 1/16''$
USO80.1-2600EF	102 $3/8''$	44 $1/2'' - 49 3/16''$

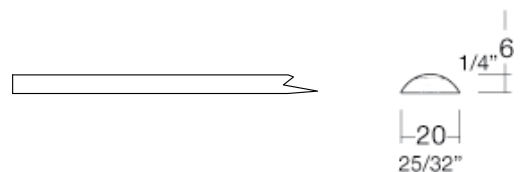
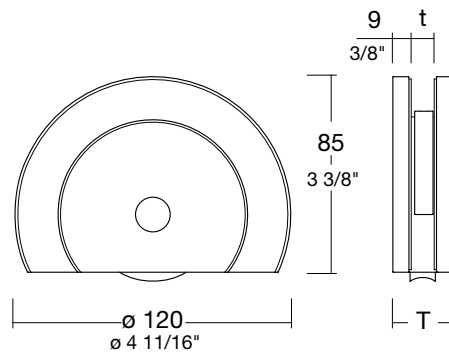
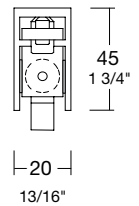
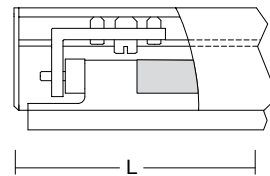
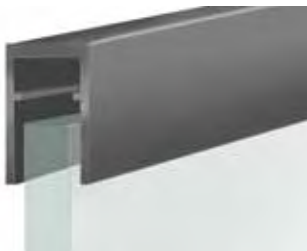
▼ Glass drill holes please have a look at the planning guide

The maximum door weight is 150 kg (330 lbs)

You can find planning guides with drill hole sizes and installation instructions at www.abp-beyerle-us.com

Please note: The floor has to leveled!

- + For special lengths for ceiling/bottom guide rails other individual components and accessories. For bottom guide rails without drillings please order custom length (USO-86EF) refer to page 32





Outer inlay - white glass, USO281G003
Center inlay - black glass, USO280G004



Base version
Center inlay - satin stainless steel, USO280EF



Outer inlay - black glass, USO281G004
Center inlay - satin stainless steel, USO280EF



Outer inlay - black glass, USO281G004
Center inlay - white glass, USO280G003
Recommended examples for inlay material
and colour selections as inlays.

Silent Glam

“Silent Glam“ - Silent glamour and diversity. As individual as the colour scheme of your rooms. From pure stainless steel to extravagant material concepts.

Sets for glass doors



Flatec I Glass

Complete-sets, standard model $t = 5/16'' - 1/2''$
height-adjustable approx. $\pm 1/8''$, consisting of:

- 1 Guide rail, solid stainless steel, $\varnothing 1''$, USO200EF
length: see table
- 3 - 4 Wall attachments, stainless steel, USO210EF
- 2 Trolleys Flatec I glass, stainless steel, USO120EF
- 2 Door stopper, stainless steel, USO251EF
- 1 Bottom guide, stainless steel, USO260EF
- 1 Special tool for decorative screws, Z923
- 1 Installation instructions

Set numbers	Guide rail length inch	Passage width inch
USU44-1800EF	70 7/8"	29 1/2" - 35 7/16"
USU44-2100EF	82 11/16"	35 13/16" - 39 3/8"
USU44-2300EF	90 9/16"	39 3/4" - 44 1/16"
USU44-2540EF	100"	44 1/2" - 49 3/16"

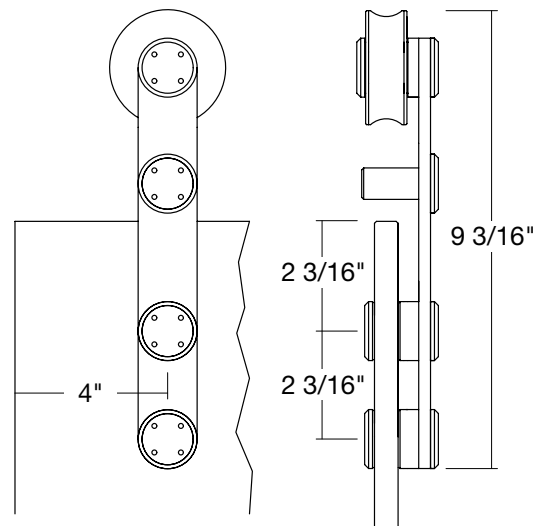
▼ Glass drill holes $\varnothing 1/2''$

The maximum door weight is 100 kg (220 lbs)

For baseboards and trimmings, order spacer, (stainless steel, USO226-19EF) separately for each wall attachment, Cf. planning guide or page 21/22

You can find planning guides with drill hole sizes and installation instructions at www.beyerle-us.com

+ For special lengths for guide rails, other individual components and accessories, refer to page 24ff.



/// : Unotec Home | Glass

Complete-sets, standard model $t = 5/16'' - 1/2''$
consisting of:

- 1 Guide rail, solid stainless steel, $\varnothing 1''$, USO200EF
length: see table
- 3 - 4 Wall attachments, stainless steel, USU210EF
- 2 Trolleys Unotec Home glass, stainless steel, USH100EF
- 2 Door stopper, stainless steel, USO250EF
- 1 Bottom guide, stainless steel, USO260EF
- 1 Special tool for decorative screws, Z923
- 1 Installation instructions

Set numbers	Guide rail length inch	Passage width inch
USU34-1800EF	70 7/8"	29 1/2" - 35 7/16"
USU34-2100EF	82 11/16"	35 13/16" - 39 3/8"
USU34-2300EF	90 9/16"	39 3/4" - 44 1/16"
USU34-2540EF	100"	44 1/2" - 49 3/16"

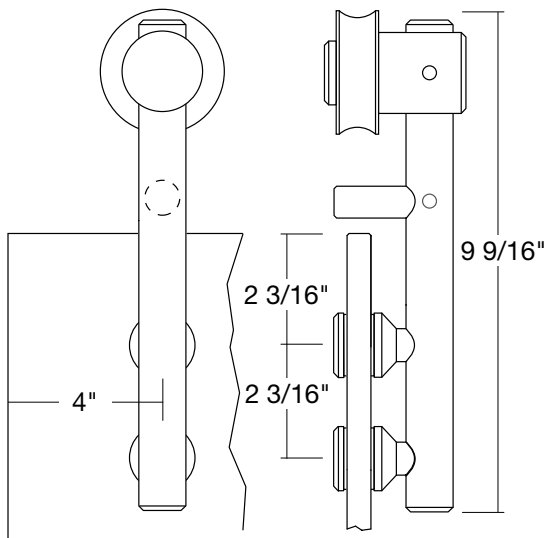
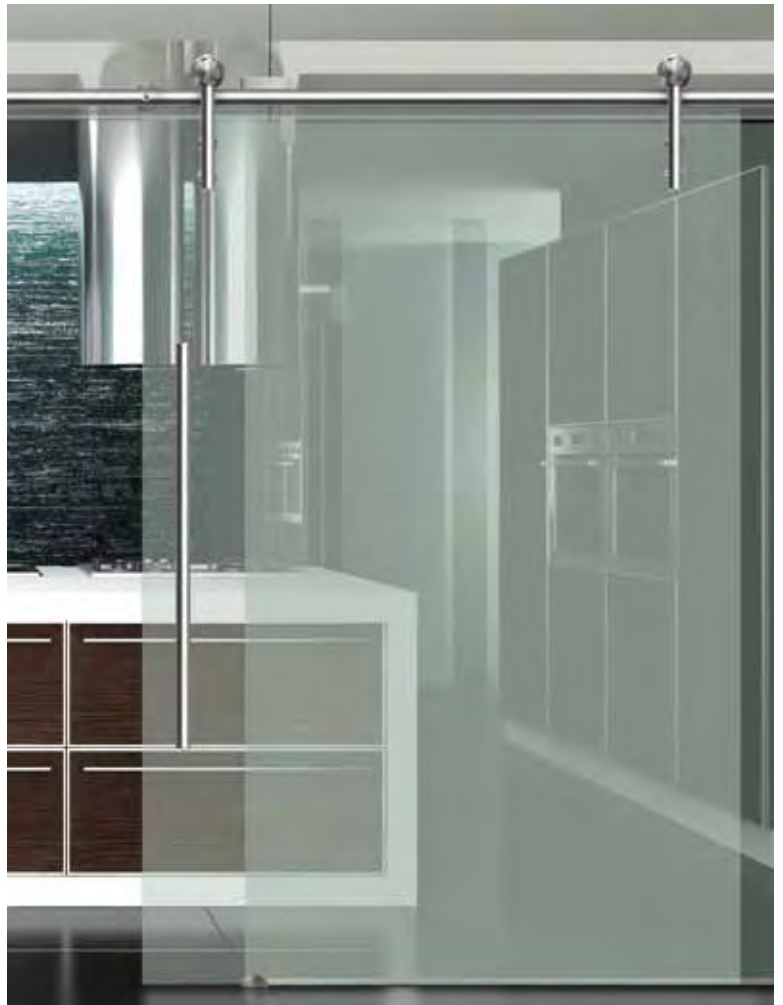
▼ Glass drill holes $\varnothing 1/2''$

The maximum door weight is 100 kg (220 lbs)

For baseboards and trimmings, order spacer, (stainless steel, USO226-19EF) separately for each wall attachment, Cf. planning guide or page 21/22

You can find planning guides with drill hole sizes and installation instructions at www.beyerle-us.com

- + For special lengths for guide rails, other individual components and accessories, refer to page 24ff.



Sets for glass doors



Unotec Objekt | Glass

Complete-sets, standard model $t = 5/16'' - 1/2''$
 Height-adjustable approx. $\pm 5/16''$, consisting of:

- 1 Guide rail, solid stainless steel, $\varnothing 1''$, USO200EF
 Length: see table
- 3 - 4 Wall attachments, stainless steel, USO210EF
- 2 Trolleys Unotec Objekt glass, stainless steel, USO100EF
- 2 Door stopper, stainless steel, USO250EF
- 1 Bottom guide, stainless steel, USO260EF
- 1 Special tool for decorative screws, Z923
- 1 Installation instructions

Set numbers	Guide rail length inch	Passage width inch
USU24-1800EF	70 7/8"	29 1/2" - 35 7/16"
USU24-2100EF	82 11/16"	35 13/16" - 39 3/8"
USU24-2300EF	90 9/16"	39 3/4" - 44 1/16"
USU24-2540EF	100"	44 1/2" - 49 3/16"

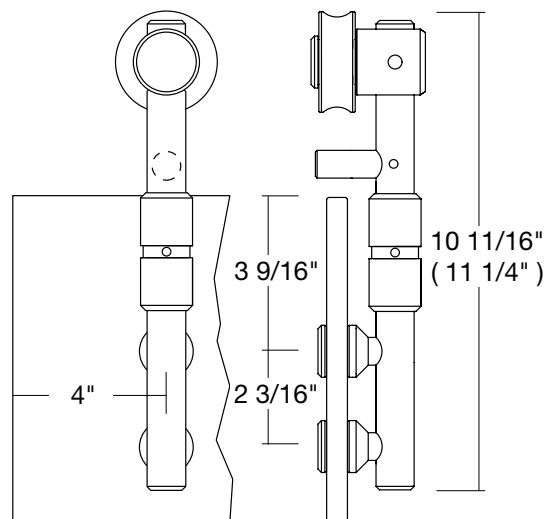
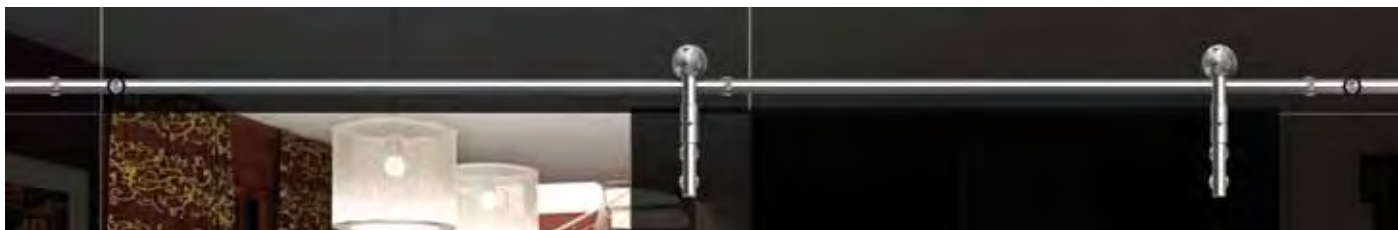
▼ Glass drill holes $\varnothing 1/2''$

The maximum door weight is 100 kg (220 lbs)

For baseboards and trimmings, order spacer, (stainless steel, USO226-19EF) separately for each wall attachment, Cf. planning guide or page 21/22

You can find planning guides with drill hole sizes and installation instructions at www.beyerle-us.com

+ For special lengths for guide rails, other individual components and accessories, refer to page 24ff.



/// : Duetec | Glass

Complete-sets, standard model $t = 5/16'' - 3/8''$
height-adjustable approx. $\pm 1/8''$, consisting of:

- 1 Guide rail, solid stainless steel, $\varnothing 1''$, USO200EF
length: see table
- 3 - 4 Wall attachments, stainless steel, USO210EF
- 2 Trolleys Duetec glass, stainless steel, USO110EF
- 2 Door stopper, stainless steel, USO251EF
- 1 Bottom guide, stainless steel, USO260EF
- 1 Special tool for decorative screws, Z923
- 1 Installation instructions

Set numbers	Guide rail length inch	Passage width inch
USU74-1800EF	70 7/8"	29 1/2" - 35 7/16"
USU74-2100EF	82 11/16"	35 13/16" - 39 3/8"
USU74-2300EF	90 9/16"	39 3/4" - 44 1/16"
USU74-2540EF	100"	44 1/2" - 49 3/16"

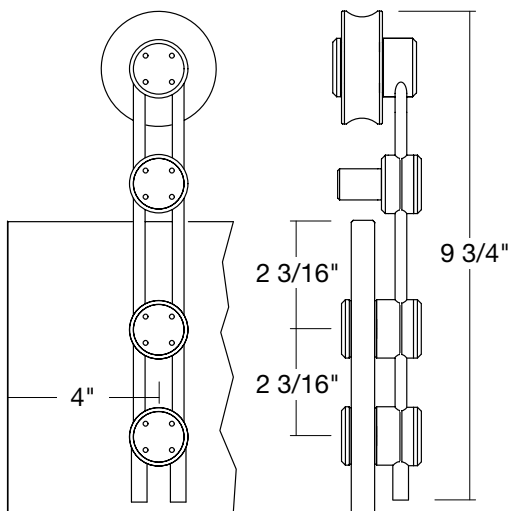
▼ Glass drill holes $\varnothing 1/2''$

The maximum door weight is 60 kg (132 lbs)

For baseboards and trimmings, order spacer, (stainless steel, USO226-19EF) separately for each wall attachment, Cf. planning guide or page 21/22

You can find planning guides with drill hole sizes and installation instructions at www.beyerle-us.com

+ For special lengths for guide rails, other individual components and accessories, refer to page 24ff.



Sets for glass doors



▨ : Tritec | Glass ▨

Complete-sets, standard model $t = 5/16'' - 1/2''$
height-adjustable approx. $\pm 1/8''$, consisting of:

- 1 Guide rail, solid stainless steel, $\varnothing 1''$, USO200EF
length: see table
- 3 - 4 Wall attachments, stainless steel, USO210EF
- 2 Trolleys Tritec glass, stainless steel, USO122EF
- 2 Door stopper, stainless steel, USO251EF
- 1 Bottom guide, stainless steel, USO260EF
- 1 Special tool for decorative screws, Z923
- 1 Installation instructions

Set numbers	Guide rail length inch	Passage width inch
USU64-1800EF	70 7/8"	29 1/2" - 35 7/16"
USU64-2100EF	82 11/16"	35 13/16" - 39 3/8"
USU64-2300EF	90 9/16"	39 3/4" - 44 1/16"
USU64-2540EF	100"	44 1/2" - 49 3/16"

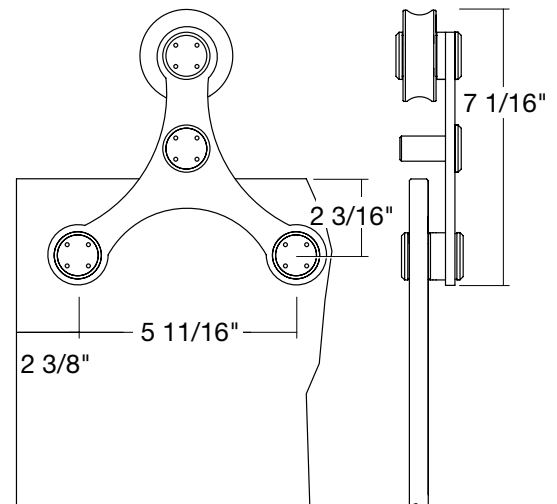
▼ Glass drill holes $\varnothing 1/2''$

The maximum door weight is 100 kg (220 lbs)

For baseboards and trimmings, order spacer, (stainless steel, USO226-19EF) separately for each wall attachment, Cf. planning guide or page 21/22

You can find planning guides with drill hole sizes and installation instructions at www.beyerle-us.com

- + For special lengths for guide rails, other individual components and accessories, refer to page 24ff.



/// : Shield | Glass

Complete-sets, standard model dt = 5/16" - 1/2"
height-adjustable approx. +/- 1/8", consisting of:

- 1 Guide rail, solid stainless steel, \varnothing 1", USO200EF
length: see table
- 3 - 4 Wall attachments, stainless steel, USU212EF,
- 2 Trolleys Shield glass, stainless steel, USO140EF with cover
- 2 Door stopper, stainless steel optic, USO252EO
- 1 Bottom guide, stainless steel, USO261EF
- 1 Allen key (SW5), Z926
- 1 Installation instructions

Set numbers	Guide rail length inch	Passage width inch
USU90-1800EF	70 7/8"	29 1/2" - 35 7/16"
USU90-2100EF	82 11/16"	35 13/16" - 39 3/8"
USU90-2300EF	90 9/16"	39 3/4" - 44 1/16"
USU90-2540EF	100"	44 1/2" - 49 3/16"

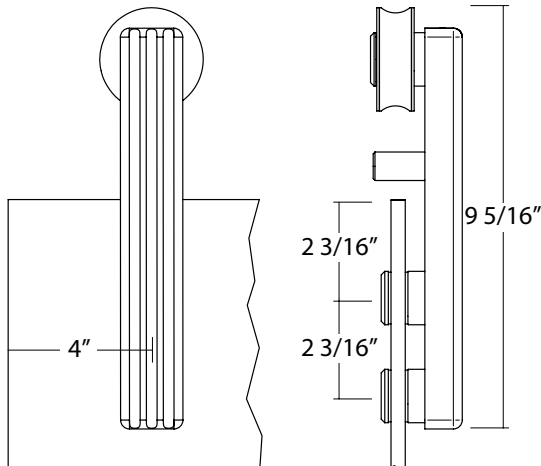
▼ Glass drill holes \varnothing 33/64" (\varnothing 13 mm)

The maximum door weight is 100 kg (220 lbs)

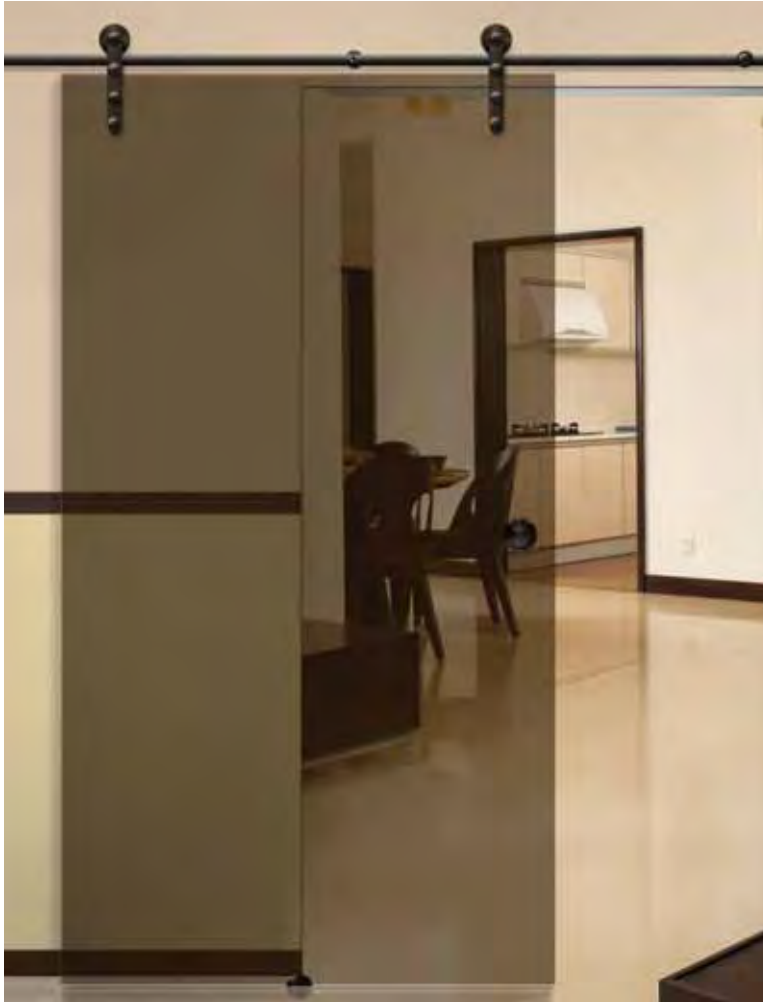
For baseboards and trimmings, order spacer, (stainless steel, USO226-19EF) separately for each wall attachment, Cf. planning guide or page 21/22

You can find planning guides with drill hole sizes and installation instructions at www.beyerle-us.com

- + For special lengths for guide rails, other individual components and accessories, refer to page 24ff.



Sets for glass doors



: Antra I | Glass

Complete-sets, standard model $t = 5/16'' - 1/2''$
height-adjustable approx. $\pm 1/8''$, consisting of:

- 1 Guide rail, stainless steel-dark bronze, $\varnothing 1''$, USO200DB
length: see table
- 3 - 4 Wall attachments, stainless steel-dark bronze, USU212DB
- 2 Trolleys Antra I glass, stainless steel-dark bronze, USO126DB
- 2 Door stopper, stainless steel-dark bronze, USO254DB
- 1 Bottom guide, stainless steel-dark bronze, USO260DB
- 1 Allen key (SW5), Z926
- 1 Installation instructions

Set numbers	Guide rail length inch	Passage width inch
USU46-1800DB	70 7/8"	29 1/2" - 35 7/16"
USU46-2100DB	82 11/16"	35 13/16" - 39 3/8"
USU46-2300DB	90 9/16"	39 3/4" - 44 1/16"
USU46-2540DB	100"	44 1/2" - 49 3/16"

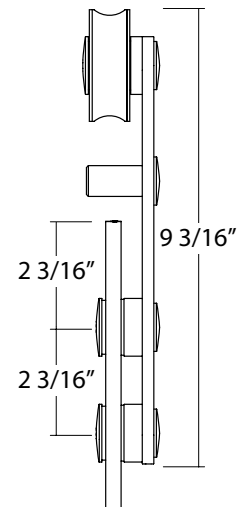
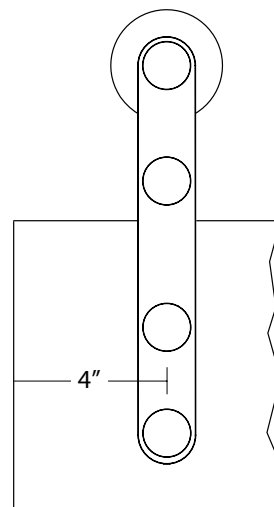
▼ Glass drill holes $\varnothing 33/64'' (\varnothing 13 \text{ mm})$

The maximum door weight is 100 kg (220 lbs)

For baseboards and trimmings, order spacer, (stainless steel-dark bronze, USO226-19DB) separately for each wall attachment, Cf. planning guide or 21/22

You can find planning guides with drill hole sizes and installation instructions at www.beyerle-us.com

+ For special lengths for guide rails, other individual components and accessories, refer to page 24ff.



Sets for wooden doors

▨ : Flatec I | Wood ▨

Complete-sets, standard model t up to 1 3/4" height-adjustable approx. +/- 1/8", consisting of:

- 1 Guide rail, solid stainless steel, Ø 1", USO200EF length: see table
- 3 - 4 Wall attachments, stainless steel, USU215EF
- 2 Trolleys Flatec I wood, stainless steel, USO121EF
- 2 Door stopper, stainless steel, USO251EF
- 1 Bottom guide, plastic, USH268K
- 1 Special tool for decorative screws, Z923
- 1 Installation instructions

Set numbers	Guide rail length inch	Passage width inch
USU45-1800EF	70 7/8"	29 1/2" - 35 7/16"
USU45-2100EF	82 11/16"	35 13/16" - 39 3/8"
USU45-2300EF	90 9/16"	39 3/4" - 44 1/16"
USU45-2540EF	100"	44 1/2" - 49 3/16"

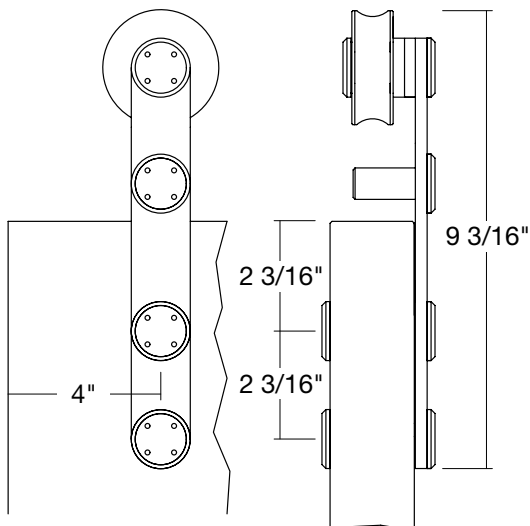
▼ Wood drill holes Ø 3/8"

The maximum door weight is 100 kg (220 lbs)

For baseboards and trimmings, order spacer, (stainless steel, USO226-33EF) separately for each wall attachment, Cf. planning guide or page 21/22

You can find planning guides with drill hole sizes and installation instructions at www.beyerle-us.com

- + For special lengths for guide rails, other individual components and accessories, refer to page 24ff.



Sets for wooden doors



Flatec II | Wood

Complete-sets, standard model $t = 1\ 7/16'' - 1\ 3/4''$ consisting of:

- 1 Guide rail, solid stainless steel, $\varnothing 1''$, USO200EF length: see table
- 3 - 4 Wall attachments, stainless steel, USO215EF
- 2 Trolleys Flatec II wood, stainless steel, USO130EF
- 2 Door stopper, stainless steel, USO251EF
- 1 Bottom guide, plastic, USH268K
- 1 Special tool for decorative screws, Z923
- 1 Installation instructions

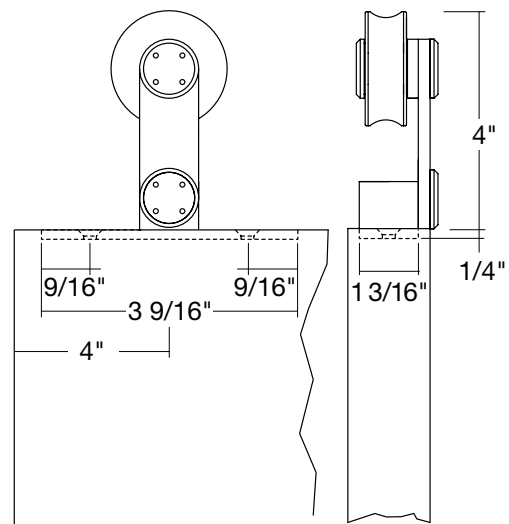
Set numbers	Guide rail length inch	Passage width inch
USU55-1800EF	70 7/8"	29 1/2" - 35 7/16"
USU55-2100EF	82 11/16"	35 13/16" - 39 3/8"
USU55-2300EF	90 9/16"	39 3/4" - 44 1/16"
USU55-2540EF	100"	44 1/2" - 49 3/16"

▼ The maximum door weight is 100 kg (220 lbs)

For baseboards and trimmings, order spacer, (stainless steel, USO226-33EF) separately for each wall attachment, Cf. planning guide or page 21/22

You can find planning guides with drill hole sizes and installation instructions at www.beyerle-us.com

+ For special lengths for guide rails, other individual components and accessories, refer to page 24ff.



/// : Unotec Home | Wood ///

Complete-sets, standard model t up to 1 3/4"
 Consisting of:

- 1 Guide rail, solid stainless steel, \varnothing 1", USO200EF
 length: see table
- 3 - 4 Wall attachments, stainless steel, USU215EF
- 2 Trolleys Unotec Home wood, stainless steel, USH105EF
- 2 Door stopper, stainless steel, USO250EF
- 1 Bottom guide, plastic, USH268K
- 1 Special tool for decorative screws, Z923
- 1 Installation instructions

Set numbers	Guide rail length inch	Passage width inch
USU35-1800EF	70 7/8"	29 1/2" - 35 7/16"
USU35-2100EF	82 11/16"	35 13/16" - 39 3/8"
USU35-2300EF	90 9/16"	39 3/4" - 44 1/16"
USU35-2540EF	100"	44 1/2" - 49 3/16"

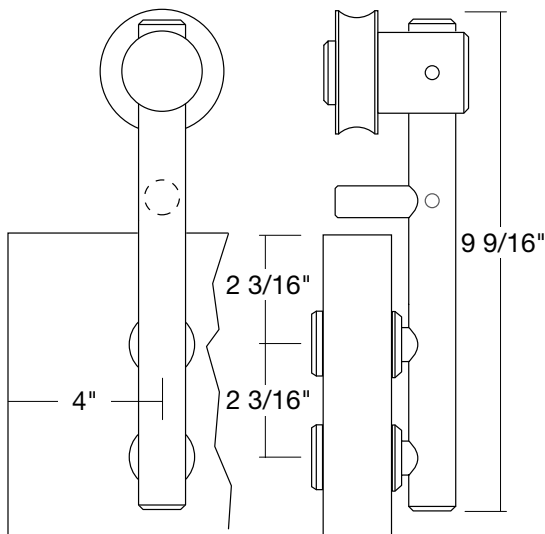
▼ Wood drill holes \varnothing 3/8"

The maximum door weight is 100 kg (220 lbs)

For baseboards and trimmings, order spacer, (stainless steel, USO226-33EF) separately for each wall attachment, Cf. planning guide or page 21/22

You can find planning guides with drill hole sizes and installation instructions at www.beyerle-us.com

+ For special lengths for guide rails, other individual components and accessories, refer to page 24ff.



Sets for wooden doors



Tritec | Wood

Complete-sets, standard model t up to 1 3/4" height-adjustable approx. +/- 1/8", consisting of:

- 1 Guide rail, solid stainless steel, Ø 1", USO200EF length: see table
- 3 - 4 Wall attachments, stainless steel, USU215EF
- 2 Trolleys Tritec wood, stainless steel, USO123EF
- 2 Door stopper, stainless steel, USO251EF
- 1 Bottom guide, stainless steel, USH268K
- 1 Special tool for decorative screws, Z923
- 1 Installation instructions

Set numbers	Guide rail length inch	Passage width inch
USU65-1800EF	70 7/8"	29 1/2" - 35 7/16"
USU65-2100EF	82 11/16"	35 13/16" - 39 3/8"
USU65-2300EF	90 9/16"	39 3/4" - 44 1/16"
USU65-2540EF	100"	44 1/2" - 49 3/16"

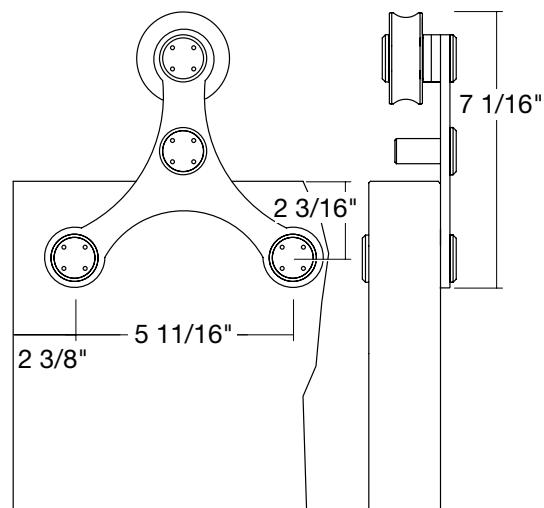
▼ Wood drill holes Ø 3/8"

The maximum door weight is 100 kg (220 lbs)

For baseboards and trimmings, order spacer, (stainless steel, USO226-33EF) separately for each wall attachment, Cf. planning guide or page 21/22

You can find planning guides with drill hole sizes and installation instructions at www.beyerle-us.com

+ For special lengths for guide rails, other individual components and accessories, refer to page 24ff.



/// : Shield | Wood ///

Complete-sets, standard model t up to 1 3/4" height-adjustable approx. +/- 1/8", consisting of:

- 1 Guide rail, solid stainless steel, ø 1", USO200EF length: see table
- 3 - 4 Wall attachments, stainless steel, USU214EF
- 2 Trolleys Shield wood, stainless steel, USO141EF
- 2 Door stopper, stainless steel optic, USO252EO
- 1 Bottom guide, plastic, USH268K
- 1 Allen key (SW5), Z926
- 1 Installation instructions

Set numbers	Guide rail length inch	Passage width inch
USU91-1800EF	70 7/8"	29 1/2" - 35 7/16"
USU91-2100EF	82 11/16"	35 13/16" - 39 3/8"
USU91-2300EF	90 9/16"	39 3/4" - 44 1/16"
USU91-2540EF	100"	44 1/2" - 49 3/16"

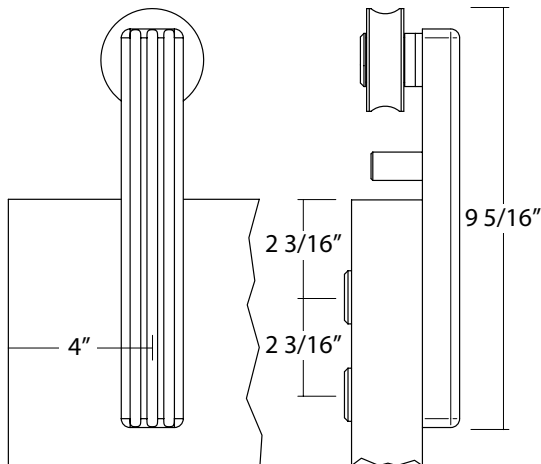
▼ Wood drill holes ø 3/8"

The maximum door weight is 100 kg (220 lbs)

For baseboards and trimmings, order spacer, (stainless steel, USO226-33EF) separately for each wall attachment, Cf. planning guide or page 21/22

You can find planning guides with drill hole sizes and installation instructions at www.beyerle-us.com

+ For special lengths for guide rails, other individual componets and accessories, refer to page 24ff.





Skater | Wood

Complete-sets, standard model t up to 1 3/4" consisting of:

- 1 Guide rail, solid stainless steel, ø 1", USO200EF
length: see table
- 3 - 4 Wall attachments, stainless steel, USU214EF
- 1 Pair of trolleys Skater wood, stainless steel, USO150EF-B
- 2 Door stopper, stainless steel, USO253EF
- 1 Bottom guide, plastic, USH268K
- 1 Allen key (SW5), Z926
- 1 Installation instructions

Set numbers	Guide rail length inch	Passage width inch
USU92-1800EF	70 7/8"	29 1/2" - 35 7/16"
USU92-2100EF	82 11/16"	35 13/16" - 39 3/8"
USU92-2300EF	90 9/16"	39 3/4" - 44 1/16"
USU92-2540EF	100"	44 1/2" - 49 3/16"

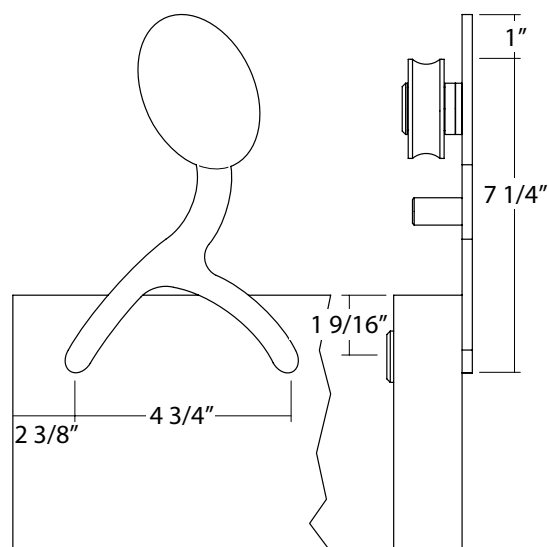
▼ Wood drill holes ø 3/8"

The maximum door weight is 100 kg (220 lbs)

For baseboards and trimmings, order spacer, (stainless steel, USO226-33EF) separately for each wall attachment, Cf. planning guide or page 21/22

You can find planning guides with drill hole sizes and installation instructions at www.beyerle-us.com

+ For special lengths for guide rails, other individual components and accessories, refer to page 24ff.



/// : Antra I | Wood ///

Complete-sets, standard model t up to 1 3/4" height-adjustable approx. +/- 1/8", consisting of:

- 1 Guide rail, stainless steel-dark bronze, Ø 1", USO200DB length: see table
- 3 - 4 Wall attachments, stainless steel-dark bronze, USU214DB
- 2 Trolleys Antra I wood, stainless steel-dark bronze, USO129DB
- 2 Door stopper, stainless steel-dark bronze, USO254DB
- 1 Bottom guide, plastic, USH268K
- 1 Allen key (SW5), Z926
- 1 Installation instructions

Set numbers	Guide rail length inch	Passage width inch
USU47-1800DB	70 7/8"	29 1/2" - 35 7/16"
USU47-2100DB	82 11/16"	35 13/16" - 39 3/8"
USU47-2300DB	90 9/16"	39 3/4" - 44 1/16"
USU47-2540DB	100"	44 1/2" - 49 3/16"

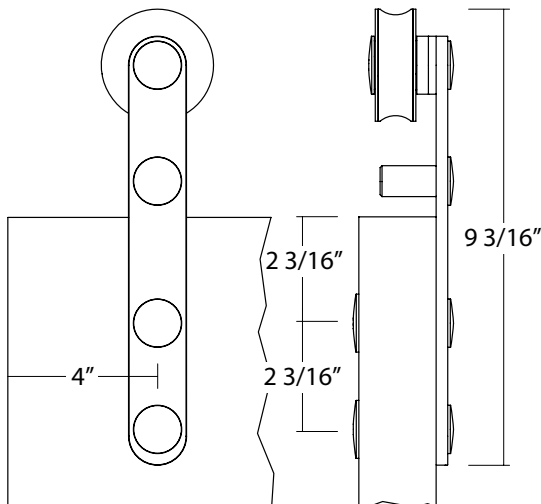
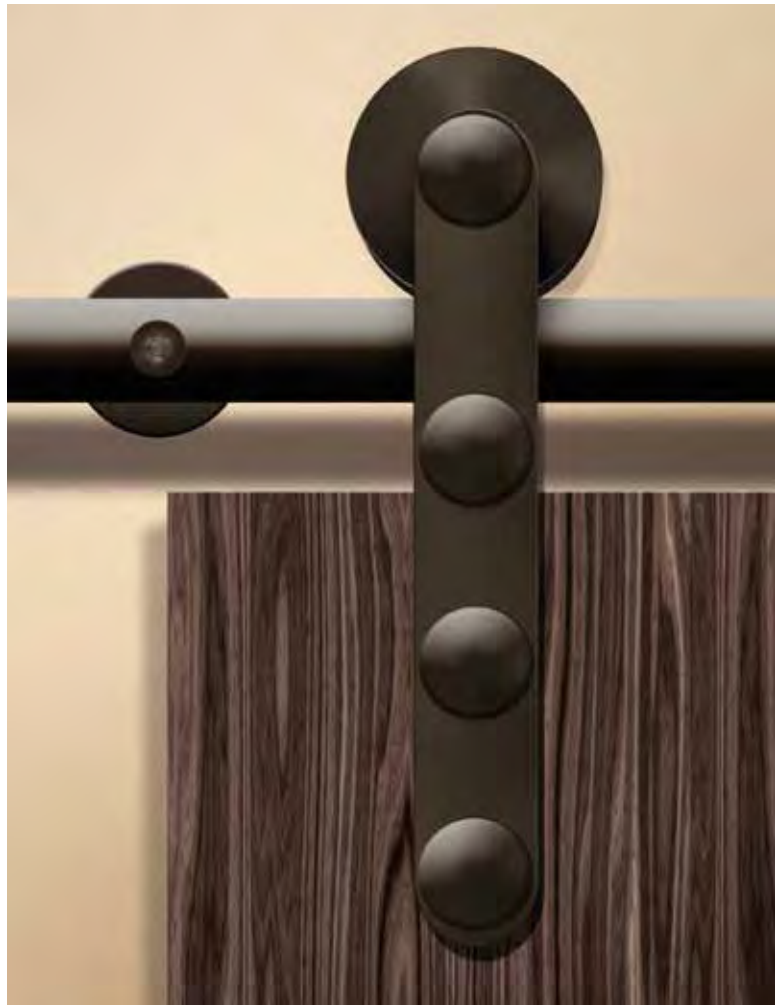
▼ Wood drill holes Ø 3/8"

The maximum door weight is 100 kg (220 lbs)

For baseboards and trimmings, order spacer, (stainless steel-dark bronze, USO226-33DB) separately for each wall attachment, Cf. planning guide or page 21/22

You can find planning guides with drill hole sizes and installation instructions at www.beyerle-us.com

- + For special lengths for guide rails, other individual components and accessories, refer to page 24ff.



Sets for wooden doors



▨ : Antra II | Wood ▨

Complete-sets, standard model $t = 1 \frac{7}{16}'' - 1 \frac{3}{4}''$
consisting of:

- 1 Guide rail, stainless steel-dark bronze, $\varnothing 1''$, USO200DB
length: see table
- 3 - 4 Wall attachments, stainless steel-dark bronze, USU214DB
- 2 Trolleys Antra II wood, stainless steel-dark bronze, USO131DB
- 2 Door stopper, stainless steel-dark bronze, USO254DB
- 1 Bottom guide, plastic, USH268K
- 1 Allen key (SW5), Z926
- 1 Installation instructions

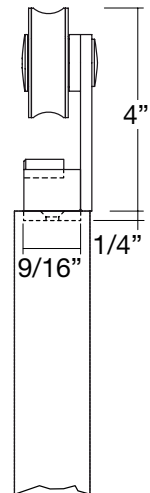
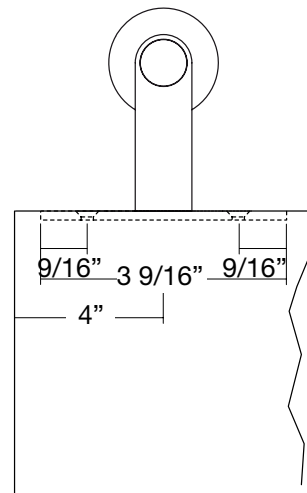
Set numbers	Guide rail length inch	Passage width inch
USU56-1800DB	70 $\frac{7}{8}''$	29 $\frac{1}{2}'' - 35 \frac{7}{16}''$
USU56-2100DB	82 $\frac{11}{16}''$	35 $\frac{13}{16}'' - 39 \frac{3}{8}''$
USU56-2300DB	90 $\frac{9}{16}''$	39 $\frac{3}{4}'' - 44 \frac{1}{16}''$
USU56-2540DB	100''	44 $\frac{1}{2}'' - 49 \frac{3}{16}''$

▼ The maximum door weight is 100 kg (220 lbs)

For baseboards and trimmings, order spacer,
separately for each wall attachment,
Cf. planning guide or page 21/22

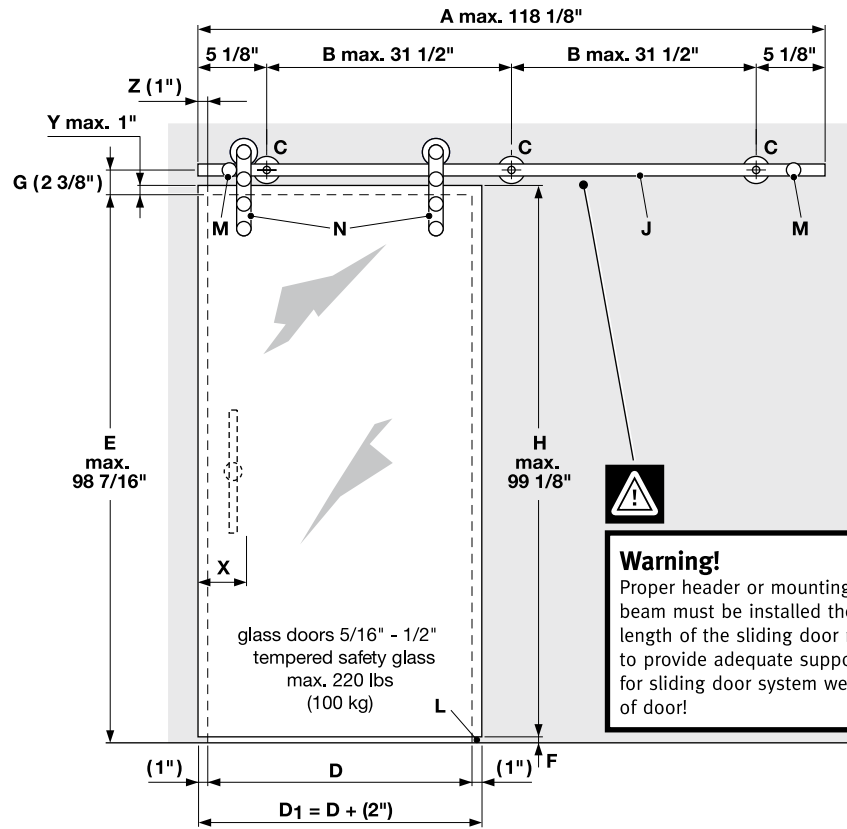
You can find planning guides with drill hole sizes and
installation instructions at www.beyerle-us.com

+ For special lengths for guide rails, other individual
components and accessories, refer to page 24ff.



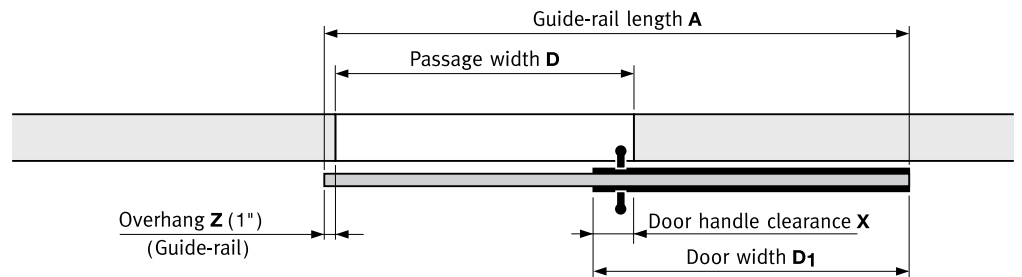
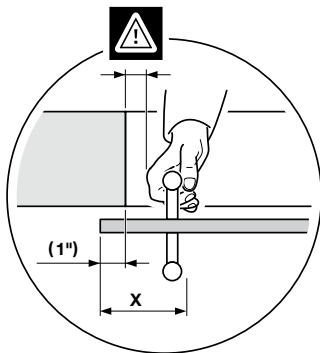
▼ We have complete sets as well as single system components available for you to make your individual designs and plans using our sliding door systems. Please go to www.beyerle-us.com to find the planning and assembly instructions for all systems. On the following pages, please have a look at some extracts presented as examples.

Manufacturing dimensions (special model)										kg			
inches		Each	inches						H max. 99 1/8" (H = E - F + Y)	Load-bearing capacity of the guide rail J	Each		
A	B	C	D	D1	E max. 98 7/16"	F 1/4" - 3/8"	G	L			M	N	
							(2 3/8")			1	2	2	



- A = Guide-rail length
- B = Drill hole clearance
- C = Wall fixture
- D = Passage width
- D1 = Door width
- E = Passage height
- F = Door – floor clearance
- G = Fastening clearance
- H = Door height
- J = Load-bearing capacity of the guide rail
- L = Bottom guide
- M = Door stopper
- N = Trolley
- X = Door knob clearance
- Y = Door height overhang
- Z = Guide-rail overhang
- () = recommended!

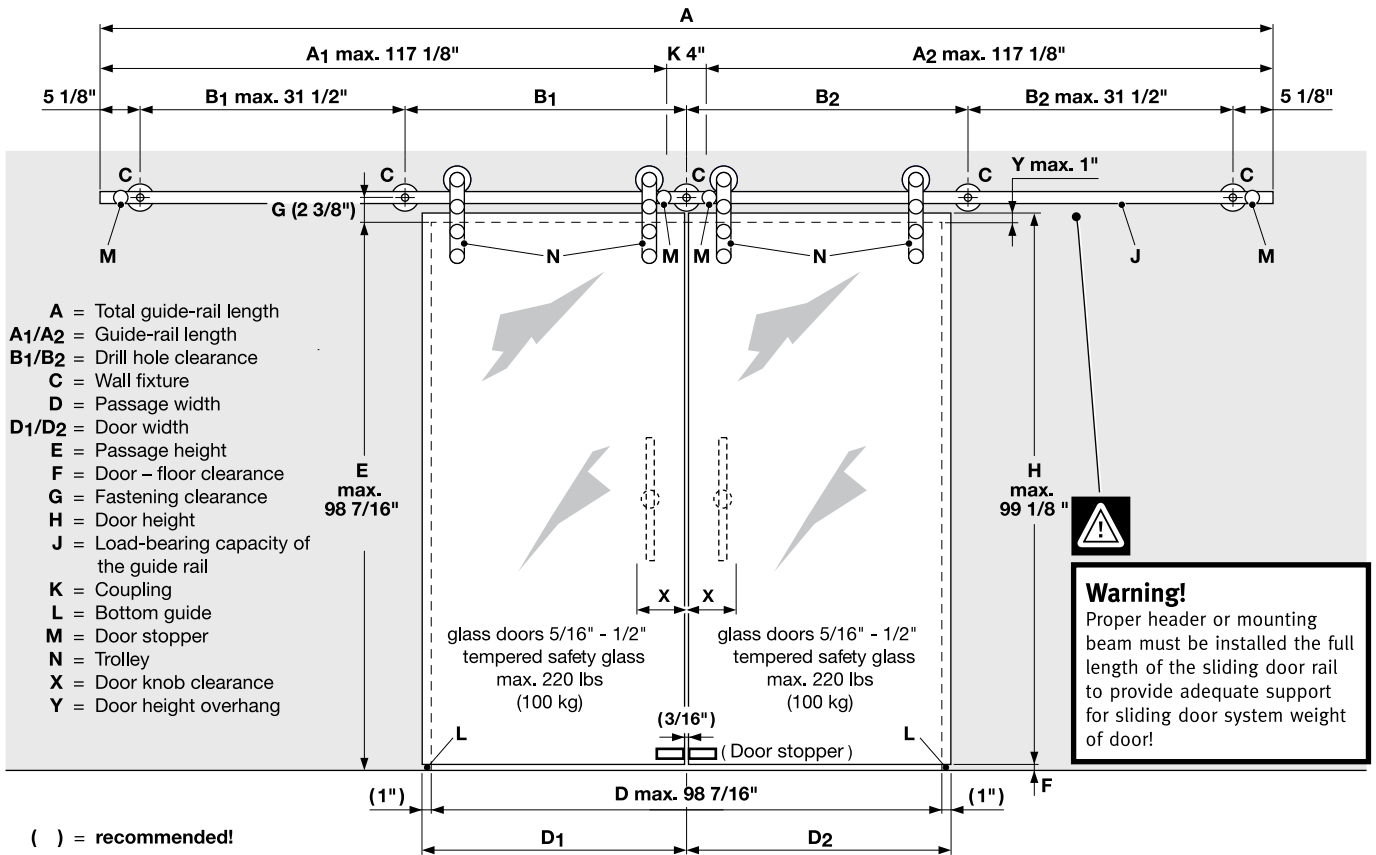
Calculation for guide-rail length A



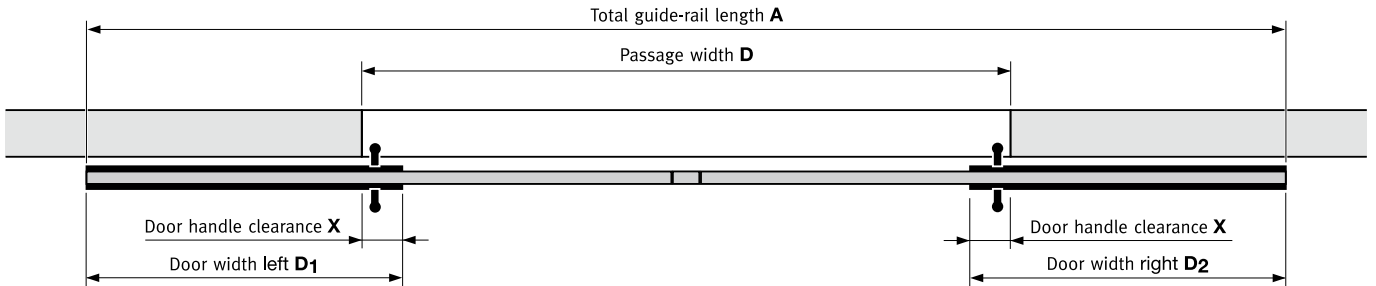
$$\text{Overhang Z} + \text{Passage width D} + \text{Door width D1} - \text{Door handle clearance X} = \text{Guide-rail length A}$$

Make door handle clearance so that fingers do not get pinched when door is used

Manufacturing dimensions (special model)															
inches		Each		inches							kg	Each			
A	B1	B2	C	D	D1	D2	E max. 98 7/16"	F 1/4" - 3/8"	G	H max. 99 1/8" (H = E - F + Y)	Load-bearing capacity of the guide rail J	K	L	M	N
									(2 3/8")			1	2	4	4



Calculation for total guide-rail length A



Door width D_1 - Door handle clearance X + Passage width D + Door width D_2 - Door handle clearance X = Total guide-rail length A

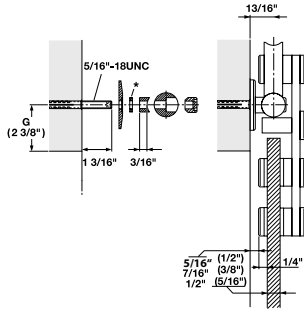


Make door handle clearance so that fingers do not get pinched when door is used.

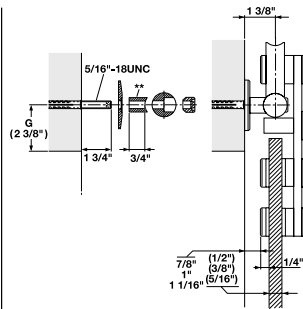
Sliding door fittings **Flatec I**

for glass doors (5/16" - 1/2" thickness) – Wall fixture

Standard installation



Installation with baseboards and trim



Compensation discs * 1/16", 3/16" and 3/8"
To compensate for wall unevenness, order separately.
(Only 1 piece per wall fixture!)

Art.-No.	inches
USO216-2EF	1/16"
USO216-5EF	3/16"
USO216-10EF	3/8"

Spacers ** order separately.

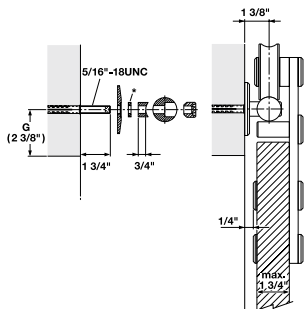
Art.-No.
USO226-19EF

Right to make technical changes reserved - Dimensions in inches - Version 04.2008
© by ABP-Beyerle GmbH

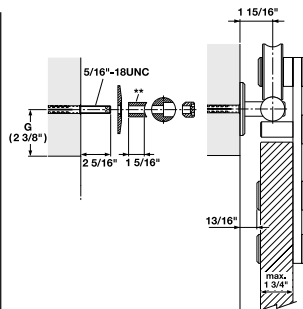
Sliding door fittings **Flatec I**

for wooden doors (max. 1 3/4" thickness) – Wall fixture

Standard installation



Installation with baseboards and trim



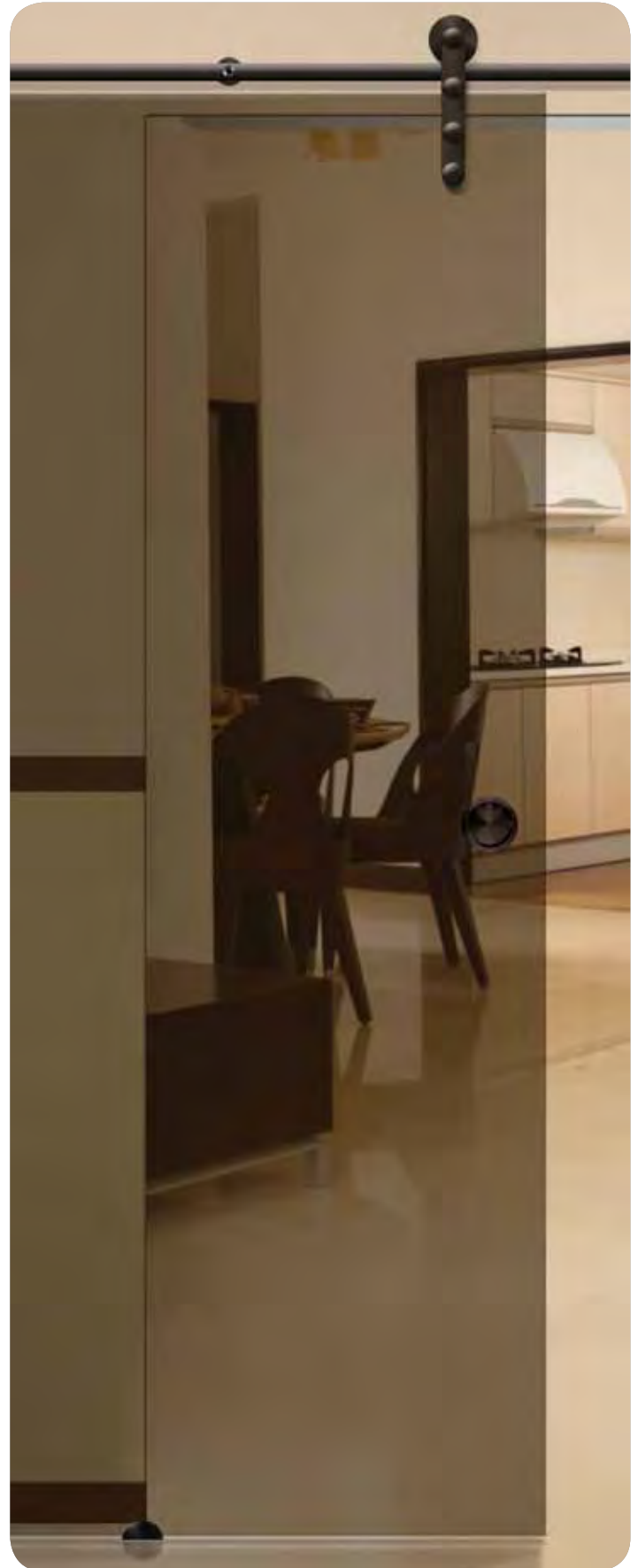
Compensation discs * 1/16", 3/16" and 3/8"
To compensate for wall unevenness, order separately.
(Only 1 piece per wall fixture!)

Art.-No.	inches
USO216-2EF	1/16"
USO216-5EF	3/16"
USO216-10EF	3/8"

Spacers ** order separately.

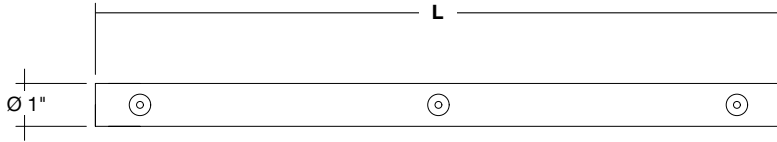
Art.-No.
USO226-33EF

Right to make technical changes reserved - Dimensions in inches - Version 04.2008
© by ABP-Beyerle GmbH

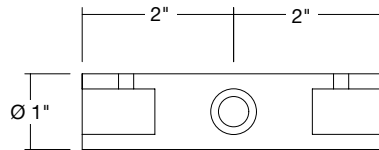


System components

Guide rail

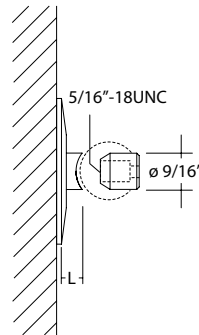
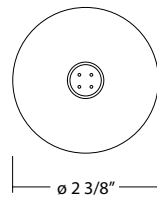


Art. No. **Guide rail Ø 1"**
 USO200EF no attachment material,
 USO200DB please state length!
 up to 118 1/8" as one piece,
 satin stainless steel (AISI 303) or
 dark bronze coated



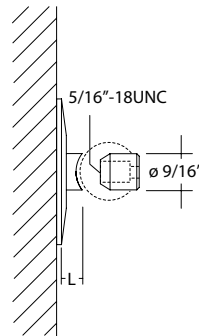
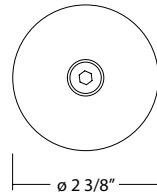
Art. No. **Coupling Ø 1"**
 USO205EF for guide rail USO200EF,
 USO205DB for segmented guide rail (longer
 than 118 1/8" with coupling/s)
 coupling L = 3 5/16"
 satin stainless steel (AISI 303) or
 dark bronze coated

Wall fixtures



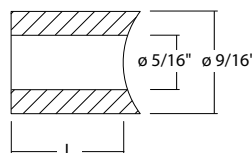
Art. No. **Wall fixtures (5/16"- 18 UNC)**
 USU210EF for glass doors on masonry
 without trim and baseboard,
 distance L = 3/16",
 disc Ø 2 3/8", without screw

USU215EF for wood doors on masonry,
 without trim and baseboard,
 distance
 L = 3/4", disc Ø 2 3/8",
 without screw
 satin stainless steel (AISI 303)



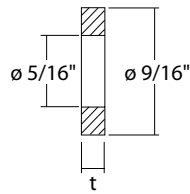
Art. No. **Wall fixtures (5/16"- 18 UNC)**
 USU212DB for glass doors on masonry
 without trim and baseboard
 USU212EF distance L = 3/16", disc Ø 2 3/8"
 without screw

USU214DB for wood doors on masonry
 without trim and baseboard
 USU214EF distance L = 3/4", disc Ø 2 3/8"
 without screw
 satin stainless steel (AISI 303) or
 dark bronze coated



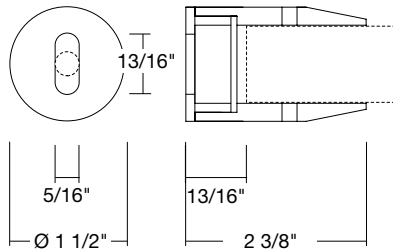
Art. No. **Spacer Ø 9/16"**
 USO226-19EF for glass doors with trim
 USO226-19DB and baseboard,
 distance L = 3/4"
 USO226-33EF for wood doors with trim
 USO226-33DB and baseboard,
 distance L = 1 5/16"
 satin stainless steel (AISI 303) or
 dark bronze coated

Art. No. Compensation discs \varnothing 9/16"
 US0216-2EF thickness $t = 1/16"$
 US0216-2DB thickness $t = 1/16"$
 US0216-5EF thickness $t = 3/16"$
 US0216-5DB thickness $t = 3/16"$
 US0216-10EF thickness $t = 3/8"$
 US0216-10DB thickness $t = 3/8"$
 to compensate for wall unevenness, only one piece per wall mount!
 satin stainless steel (AISI 303) or dark bronze coated

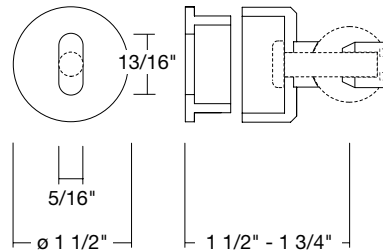


dark bronze

Art. No. Wall joint, front face
 US0240EF for guide rail US0200EF, attachment point can be adjustable using elongated hole,
 satin stainless steel (AISI 303)

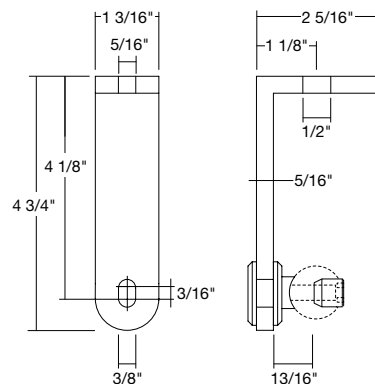


Art. No. Wall fixture, adjustable
 US0242EF for guide rail US0200EF, wall clearance can be adjusted approx. 1/4", attachment point using elongated hole,
 satin stainless steel (AISI 303)

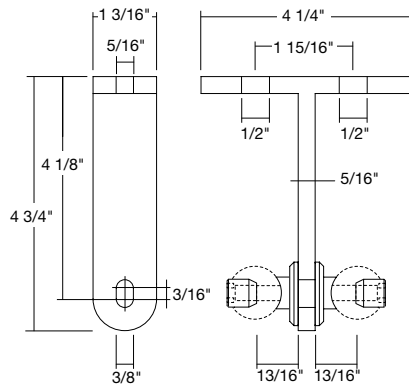


///: Ceiling fixtures ///

Art. No. Ceiling fixture (1 x)
 US0248EF for single guide rail US0200EF, attachment point can be adjustable using elongated hole,
 satin stainless steel (AISI 303/304)



System components

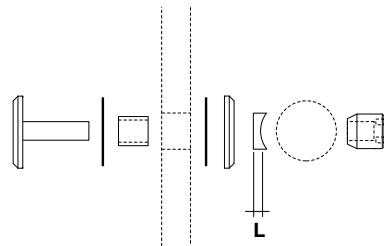


: Ceiling fixtures

Art. No. **Ceiling fixture (2 x)**
 USO249EF for double guide rail USO200EF, for glass doors only, attachment point can be adjustable using elongated hole, satin stainless steel (AISI 303/304)

USO249-H Additional kit for wood doors

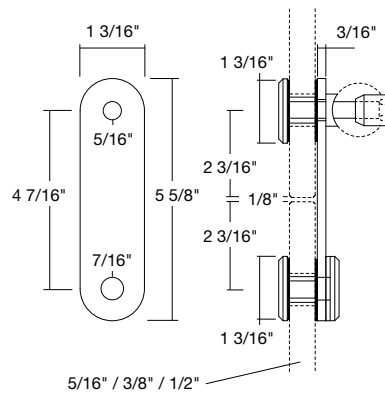
▼ For wood doors please order additional kit USO249-H



: Mounting on glass

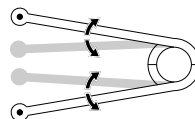
Art. No. **Glass fastening set**
 USO230G for glass doors 5/16" - 1/2", distance L = 3/16" decorative screw \varnothing 1 3/16" for mounting the guide rail USO200EF onto glass surfaces glass protection set satin stainless steel (AISI 303)

▼ Glass drill holes \varnothing 9/16"



Art. No. **Glass joint plate for continuous skylight of glasses**
 USO245-8EF for glass surfaces $t = 5/16''$
 USO245-10EF for glass surfaces $t = 3/8''$
 USO245-12EF for glass surfaces $t = 1/2''$ decorative screw \varnothing 1 3/16", set for mounting the guide rail USO200EF onto glass surfaces glass protection set satin stainless steel (AISI 303/304)

▼ Glass drill holes \varnothing 9/16"



: Mounting tools

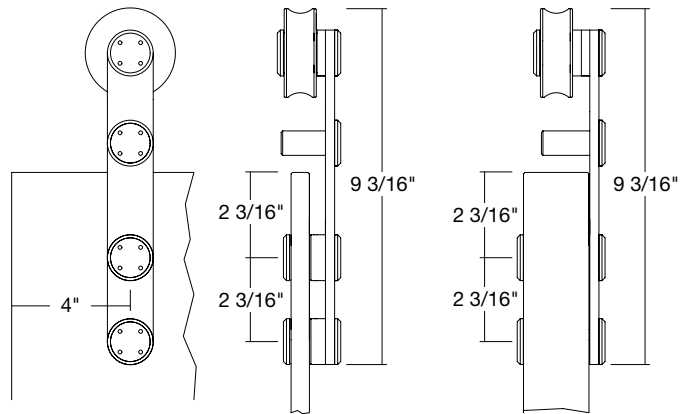
Art. No. **Calliper face spanner S**
 Z923 for mouting decorative caps and screws with 4 drill holes (adjustable)



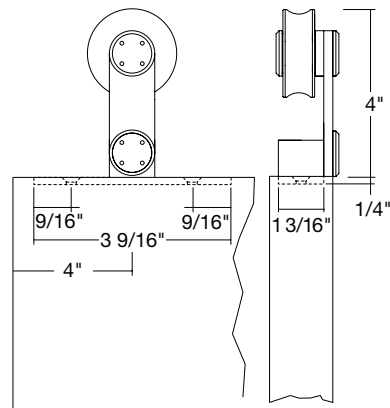
Art. No. **Allen key SW5**
 Z926 for mounting decorative caps and screws with internal hexagon

: Trolleys

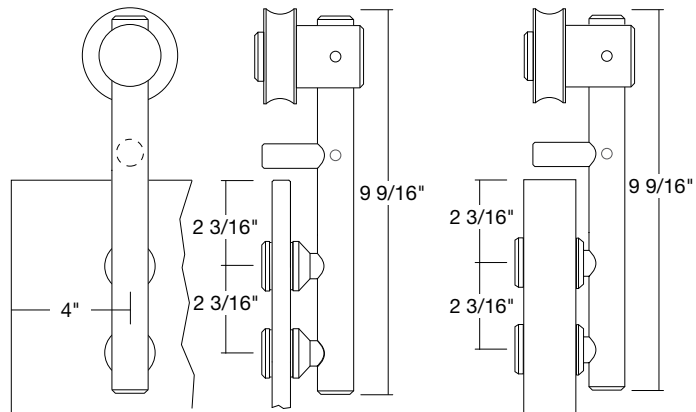
Art. No. **Trolley, Flatec I**
 USO120EF for glass doors, $t = 5/16'' - 1/2''$
 USO121EF for wood doors, t up to $1\ 3/4''$
 height-adjustable approx. $\pm 1/8''$,
 satin stainless steel (AISI 303/304)



Art. No. **Trolley, Flatec II**
 USO130EF for wood doors, t up to $1\ 3/4''$
 without height adjustment,
 satin stainless steel (AISI 303/304)

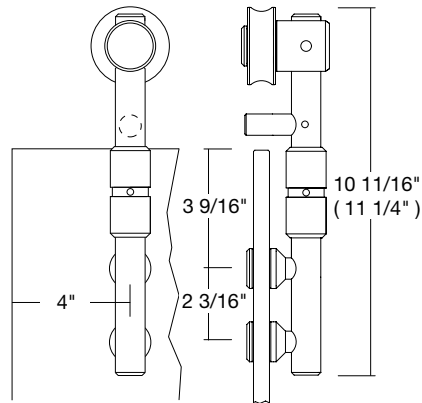


Art. No. **Trolley, Unotec Home**
 USH100EF for glass doors, $t = 5/16'' - 1/2''$
 USH105EF for wood doors, t up to $1\ 3/4''$
 without height adjustment,
 satin stainless steel (AISI 303/304)



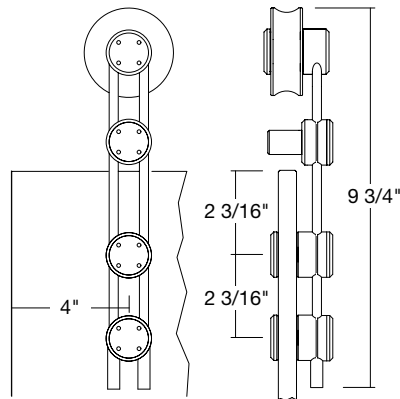
- ▼ Maximum door weight 100 kg (220 lbs) using by pairs
- ▼ Glass drill holes $\varnothing 1/2''$
- ▼ Wood drill holes $\varnothing 3/8''$

▨ : Trolleys ▨



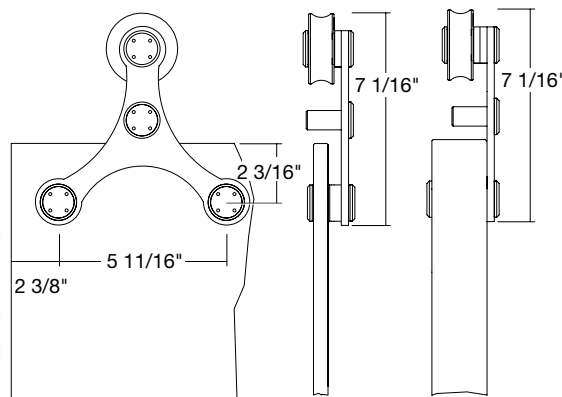
Art. No. USO100EF
Trolley, Unotec Objekt
 for glass doors, $t = 5/16'' - 1/2''$
 height-adjustable approx. $\pm 5/16''$,
 satin stainless steel (AISI 303)

▼ Maximum door weight 100 kg
 (220 lbs) using by pairs



Art. No. USO110EF
Trolley, Duetec
 for glass doors, $t = 5/16'' - 3/8''$
 height-adjustable
 approx. $\pm 1/8''$,
 satin stainless steel (AISI 303)

▼ Maximum door weight 60 kg
 (132 lbs) using by pairs



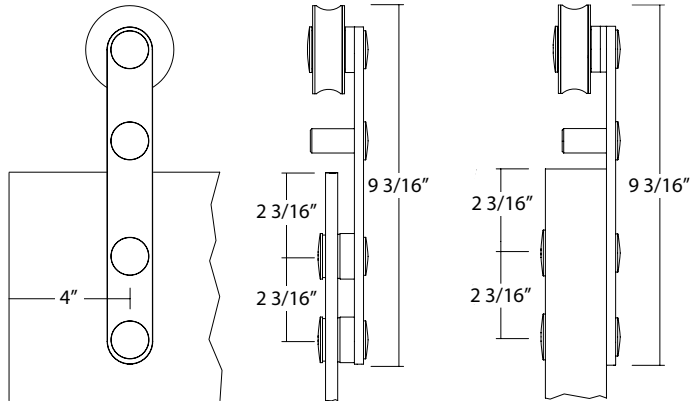
Art. No. USO122EF
Trolley, Tritec
 for glass doors, $t = 5/16'' - 1/2''$
 USO123EF
 for wood doors, t up to $1 3/4''$
 height-adjustable approx. $\pm 1/8''$,
 satin stainless steel (AISI 303/304)

▼ Maximum door weight 100 kg
 (220 lbs) using by pairs
 ▼ Glass drill holes $\varnothing 1/2''$
 ▼ Wood drill holes $\varnothing 3/8''$

: Trolleys

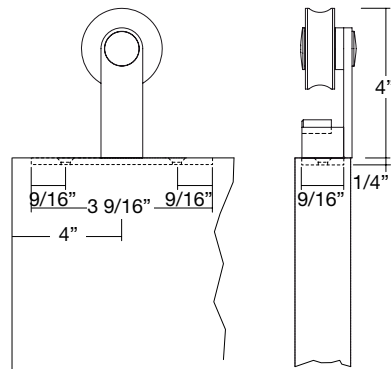
Art. No. **Trolley, Antra I**
 USO126DB for glass doors, $t = 5/16'' - 1/2''$
 USO129DB for wood doors, t up to $1\ 3/4''$,
 height-adjustable approx. $\pm 1/8''$
 stainless steel-dark bronze coated

- ▼ Glass drill holes $\varnothing\ 33/64''$
- ▼ Wood drill holes $\varnothing\ 3/8''$



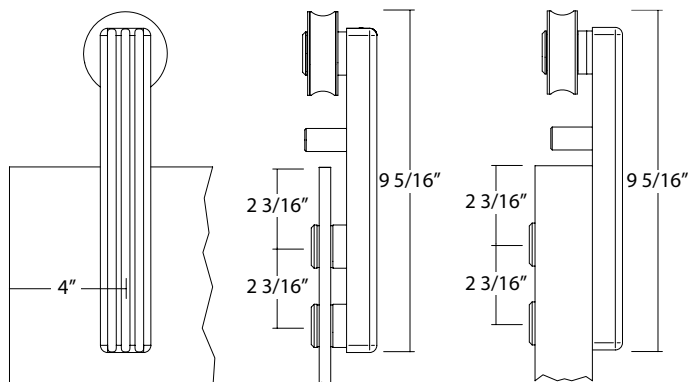
Art. No. **Trolley, Antra II**
 USO131DB for wood doors, t up to $1\ 3/4''$
 without height adjustment,
 stainless steel-dark bronze coated

- ▼ Wood drill holes $\varnothing\ 3/8''$



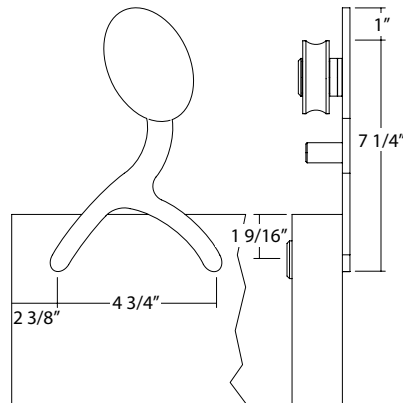
Art. No. **Trolley, Shield**
 USO140EF for glass doors, $t = 5/16'' - 1/2''$
 USO141EF for wood doors, t up to $1\ 3/4''$
 height-adjustable approx. $\pm 1/8''$
 cover: stainless steel optic
 satin stainless steel (AISI 303/304)

- ▼ Glass drill holes $\varnothing\ 33/64''$
- ▼ Wood drill holes $\varnothing\ 3/8''$



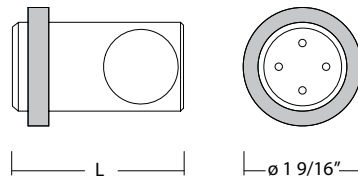
- ▼ Maximum door weight 100 kg (220 lbs) using by pairs

: Trolleys

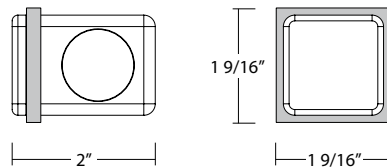


Art. No. **Trolley, Skater, (1 pair)**
 USO150EF-B for wood doors, t up to 1 3/4"
 without height adjustment
 satin stainless steel (AISI 303/304)

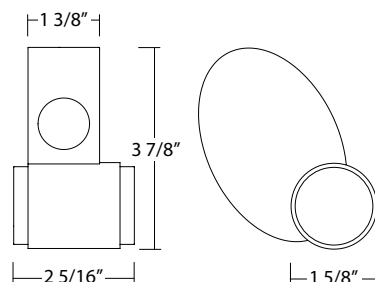
: Door stoppers



Art. No. **Door stopper**
 USO250EF for Unotec Home/Object,
 L = 2 1/4"
 USO251EF for Flatec, Duetec, Tritec,
 L = 1 3/4", ø 1 3/16",
 rubber, satin stainless steel
 (AISI 303)



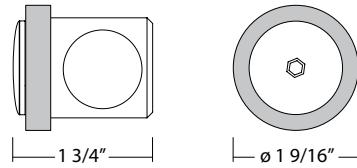
Art. No. **Door stopper**
 USO252EO for Shield 1 9/16" x 1 9/16" L = 2"
 rubber, stainless steel optic



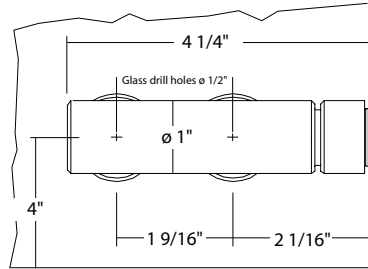
Art. No. **Door stopper**
 USO253EF for Skater 3 7/8" x 2 5/16"
 rubber, satin stainless steel
 (AISI 303/304)

/// : Door stoppers

Art. No. **Door stopper**
 US0254DB For Antra L = 1 3/4"
 rubber, stainless steel-dark
 bronze coated

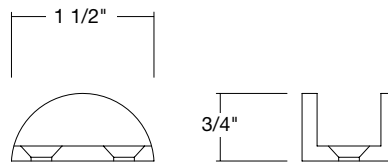


Art. No. **Door stopper set**
 US0255EF one pair for a double glass door
 ø 1", stoppers adjustable
 satin stainless steel (AISI 303)
 ▼ Glass drill holes ø 1/2"

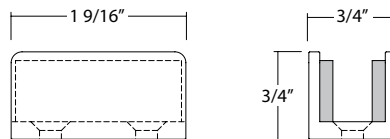


/// : Bottom guides

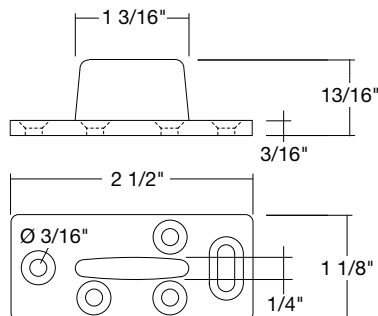
Art. No. **Bottom guide**
 US0260EF for door leaf, t = 5/16" - 1/2"
 US0260DB with felt insert, satin stainless
 steel (AISI 304) or stainless steel-
 dark bronze coated



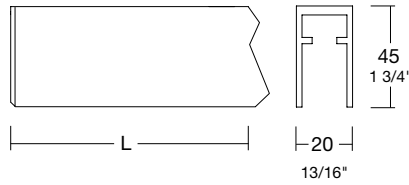
Art. No. **Bottom guide**
 US0261EF for door leaf, t = 5/16" - 1/2"
 with felt insert,
 satin stainless steel (AISI304)



Art. No. **Bottom guide**
 USH268K for wood doors, t up to 1 3/4"
 plastic for groove 5/16" x 11/16"
 ▼Groove for bottom guide
 5/16" x 11/16"



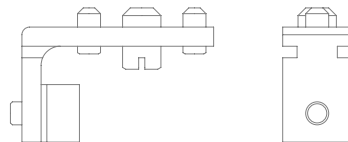
Guide rails



Art. No.
USO82EO

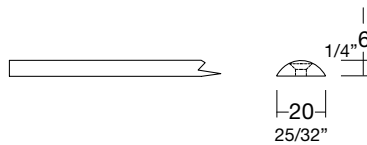
Ceiling (wall) guide rail
with 2 end caps (plastic)
please state custom length!
up to 236 1/4" as one piece,
aluminum stainless steel optic

▼ Please note:
The ceiling has to leveled!



Art. No.
USO82-S

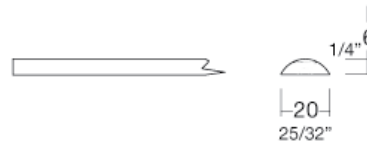
Pair of stoppers for ceiling guide rail
one set for each door,
aluminum, rubber



Art. No.
USO86.1EF
USO86.3EF

Bottom guide rail with drillings
up to 118 1/8" as one piece,
longer than 118 1/8" with coupling,
please state custom length!
satin stainless steel (AISI 316)

▼ Please note:
The floor has to leveled!

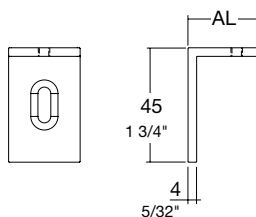
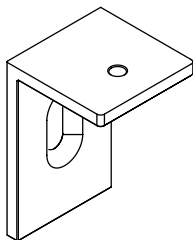


Art. No.
USO86EF
USO86.2EF

Bottom guide (no drillings)
up to 118 1/8" as one piece,
longer than 118 1/8" with coupling,
please state custom length!
satin stainless steel (AISI 316)

▼ Please note:
The floor has to leveled!

Wall fixture



Art. No.
USO282-25EO for glass doors, AL = 1"
USO282-45EO for wood doors, AL = 1 3/4"
for mounting the ceiling guide rail
USO82EO
aluminum stainless steel optic

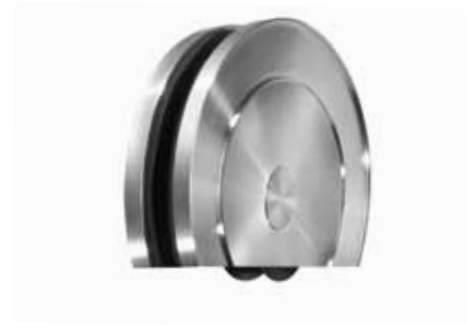
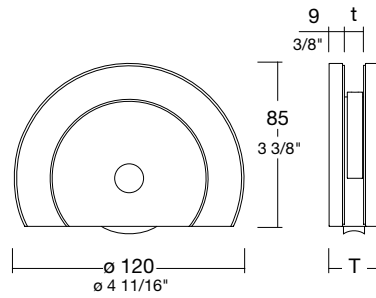
▼ Suitable for all Silent Glam sets

///: Accessories

Art. No. **Slide protection set**
 US0287FS-G for glass doors $t = 5/16'' - 1/2''$
 US0287FS-H for wood doors $t = 13/8'', 13/4''$
 self-adhesive strips of felt for
 mounting onto glass or guiding
 element for wood doors

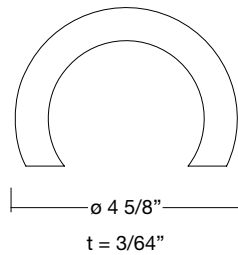
///: Rollers

Art. No. **Pair of base bottom roller**
 USO180EF for glass doors
 glass $t = 5/16'' - 1/2''$
 including 2 decorative center
 inlays USO280EF
 glass protection set,
 Allen key (SW2,5), Z927
 satin stainless steel (AISI 303)

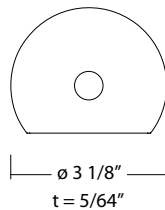


///: Accessories | Inlays

Art. No. **Decorative outer inlay**
 USO281G003 glossy white glass (acrylic)
 USO281G004 glossy black glass (acrylic)
 provided with self-adhesive
 tape for mounting

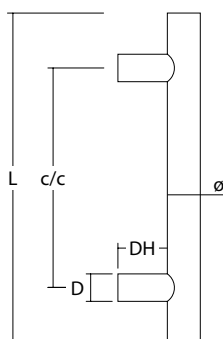


Art. No. **Decorative center inlay**
 USO280EF satin stainless steel (AISI 304)
 USO280G003 glossy white glass (acrylic)
 USO280G004 glossy black glass (acrylic)
 provided with self-adhesive
 tape for mounting



Door and flush handles

▼ To complete your individual designs and plans with our sliding door systems, we provide you with a comprehensive range of door handles and flush handles. You can perfectly complement all glass and wood sliding door systems with the stainless steel handles, shown here as an example. Using various attachment sets, you can mount the handles visibly as well as invisibly, both as single handles and in handle pairs. All door handles are manufactured in finely ground stainless steel. Please ask us about special lengths for your objects. Please refer to www.abp-beyerle.de and our master catalogue for additional products and more information.



Door handle Impero ø 1"

For Glass doors

Art. No. Single handle	Art. No. Handle set	L	c/c
SI300-25EF-SG	SI300-25EF-PG	11 13/16"	8 1/4"
SI400-25EF-SG	SI400-25EF-PG	15 3/4"	11 13/16"
SI500-25EF-SG	SI500-25EF-PG	19 11/16"	13 3/4"
SI600-25EF-SG	SI600-25EF-PG	23 5/8"	15 3/4"
SI900-25EF-SG	SI900-25EF-PG	35 7/16"	27 9/16"
SI1200-25EF-SG	SI1200-25EF-PG	47 1/4"	35 7/16"

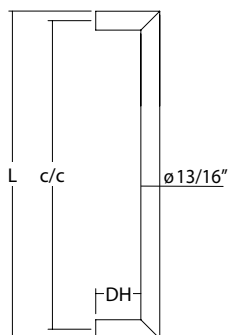
For Wood doors

Art. No. Single handle	Art. No. Handle set	L	c/c
SI300-25EF-SW	SI300-25EF-PW	11 13/16"	8 1/4"
SI400-25EF-SW	SI400-25EF-PW	15 3/4"	11 13/16"
SI500-25EF-SW	SI500-25EF-PW	19 11/16"	13 3/4"
SI600-25EF-SW	SI600-25EF-PW	23 5/8"	15 3/4"
SI900-25EF-SW	SI900-25EF-PW	35 7/16"	27 9/16"
SI1200-25EF-SW	SI1200-25EF-PW	47 1/4"	35 7/16"

passage height DH = 1 3/4"

mounting set for glass or wood doors, handle bar: ø 1", material thickness t = 5/64", satin stainless steel (AISI 304), distance D: ø 7/8", satin stainless steel (AISI 303), solid

▼ Glass drill holes ø 9/16", Wood drill holes ø 1/2"



Door handle Beluga ø 13/16"

For Glass doors

Art. No. Single handle	Art. No. Handle set	L	c/c
SG300-20EF-SG	SG300-20EF-PG	11 13/16"	11 1/64"
SG400-20EF-SG	SG400-20EF-PG	15 3/4"	14 15/16"
SG500-20EF-SG	SG500-20EF-PG	19 11/16"	18 7/8"
SG600-20EF-SG	SG600-20EF-PG	23 5/8"	22 13/16"
SG900-20EF-SG	SG900-20EF-PG	35 7/16"	34 5/8"
SG1200-20EF-SG	SG1200-20EF-PG	47 1/4"	46 7/16"

For Wood doors

Art. No. Single handle	Art. No. Handle set	L	c/c
SG300-20EF-SW	SG300-20EF-PW	11 13/16"	11 1/64"
SG400-20EF-SW	SG400-20EF-PW	15 3/4"	14 15/16"
SG500-20EF-SW	SG500-20EF-PW	19 11/16"	18 7/8"
SG600-20EF-SW	SG600-20EF-PW	23 5/8"	22 13/16"
SG900-20EF-SW	SG900-20EF-PW	35 7/16"	34 5/8"
SG1200-20EF-SW	SG1200-20EF-PW	47 1/4"	46 7/16"

passage height DH = 1 3/4"

mounting set for glass or wood doors, handle bar: ø 13/16" satin stainless steel (AISI 303), solid

▼ Glass drill holes ø 1/2", Wood drill holes ø 3/8"

/// : Door handle Thalís ø 1" ///

For Glass doors

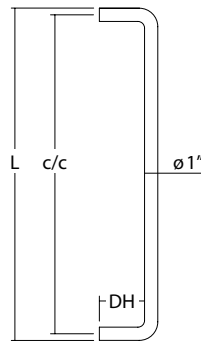
Art. No. Single handle	Art. No. Handle set	L	c/c
SN325-25EF-SG	SN325-25EF-PG	12 13/16"	11 13/16"
SN625-25EF-SG	SN625-25EF-PG	24 5/8"	23 5/8"

For wood doors

Art. No. Single handle	Art. No. Handle set	L	c/c
SN325-25EF-SW	SN325-25EF-PW	12 13/16"	11 13/16"
SN625-25EF-SW	SN625-25EF-PW	24 5/8"	23 5/8"

passage height DH = 1 3/4"
mounting set for glass or wood doors
satin stainless steel (AISI 304)

- ▼ Glass drill holes ø 9/16"
- Wood drill holes ø 1/2"

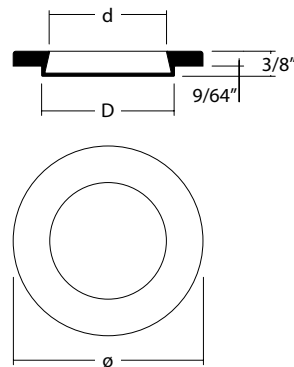


/// : Flush handle Diskus ///

Art. No.	ø	d	D
GO70-4EF	2 3/4"	ø 1 5/8"	ø 1 15/16"
GO90-4EF	3 9/16"	ø 2 7/16"	ø 2 11/16"
GO90-4DB	3 9/16"	ø 2 7/16"	ø 2 11/16"

for glass doors, satin stainless steel (AISI 303)
and stainless steel - dark bronze coated (DB)
insertion depth 9/64"
satin stainless steel

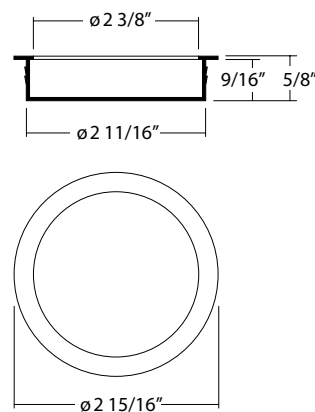
- ▼ Glass drill holes ø 2" and ø 2 3/4"



/// : Flush handle Kambium ///

Art. No.	
GN75-14EF	especially made for wood doors, with stud force fitting, ø 2 15/16", insertion depth 9/16", satin stainless steel (AISI 303)
GN75-14DB	stainless steel - dark bronze coated (DB)

- ▼ Wood drill holes ø 2 21/32"



Beyerle US LLC
1294 Logan Circle NW
Atlanta, GA 30318, USA
www.beyerle-us.com

Distributed in North America/Canada



1294 Logan Circle NW
Atlanta, GA 30318, USA
Phone: (404) 350-9738
Fax: (404) 355-0166
info@ambaproducts.com
www.ambaproducts.com

