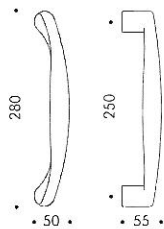




PF16 | DAYTONA | *pininfarina*



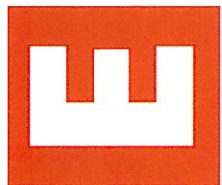
material: brass



Zirconium gold  HPS



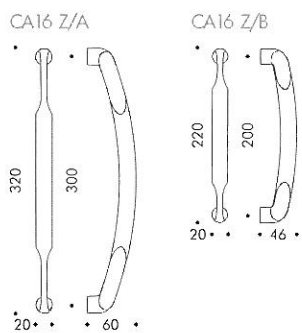
Satin chrome



CA16 | ESTRO | Castiglia Associati



material: brass



Zirconium gold  HPS

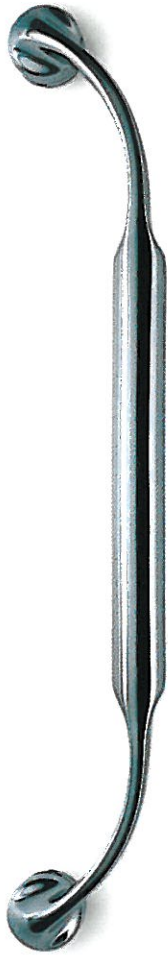
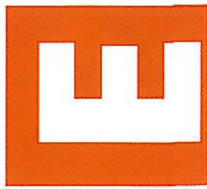
Satin Chrome



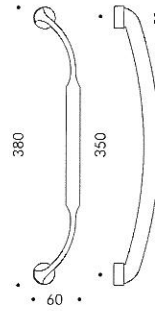


CA26 | ESTRO | Castiglia Associati

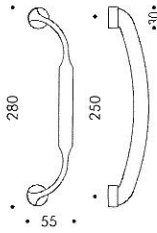
material: brass



CA26 Z/A



CA26 Z/B



Zirconium gold HPS

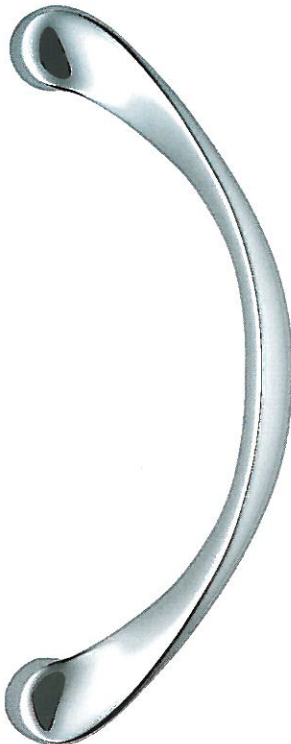
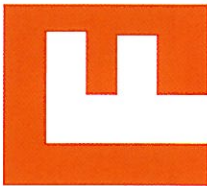


Satin Chrome

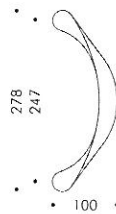


CB16 | FLESSO | Carlo Bartoli

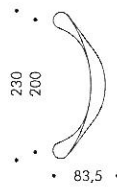
material: brass



CB16 Z/A



CB16 Z/B



Zirconium gold HPS



Polished brass



Satin gold



Zirconium stainless-steel HPS



Chrome



Satin chrome



Satin nickel

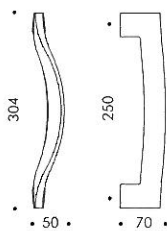




MG26 | SQUARE | *Architettura Laboratorio*



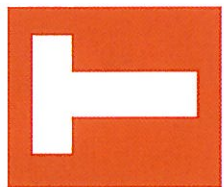
material: brass



Zirconium gold HPS

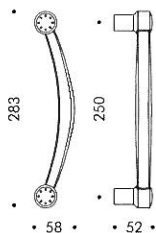
Zirconium stainless-steel HPS

Satin chrome



PF26 | TANK | *pininfarina*

material: brass



Satin gold/Polished brass

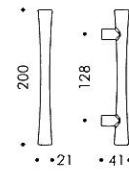
Satin chrome/Chrome





CD26 | JAZZ | Bartoli Design

material: brass

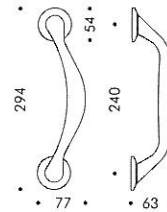


- Zirconium gold HPS
- Polished brass
- Chrome
- Satin chrome



CB26 | NICE | Carlo Bartoli

material: brass



- Zirconium gold HPS
- Polished brass
- Satin chrome/Chrome

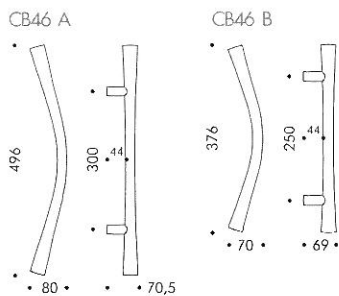




CB46 | ZEN | Bartoli Design









material: brass



Ømax/min 33/20

Ømax/min 30/20

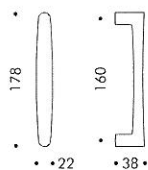
-  Zirconium gold  HPS
-  Zirconium stainless-steel  HPS
-  Chrome
-  Satin chrome








CD36 | BLUES | Colombo Design



material: brass



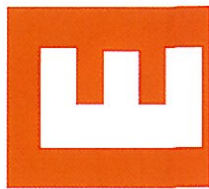
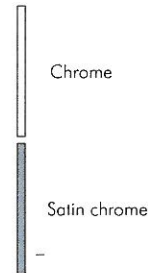
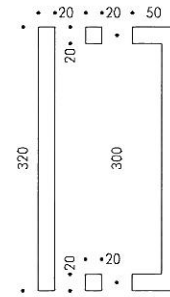
-  Zirconium gold  HPS
-  Polished brass
-  Chrome
-  Satin chrome





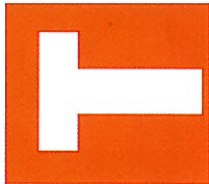
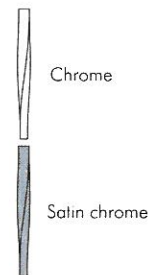
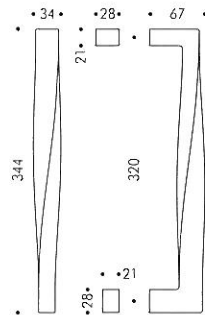
ID36 | ELLE | TEAM 3

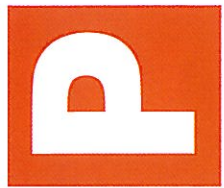
material: brass



CD46 | TWIST | TEAM 3

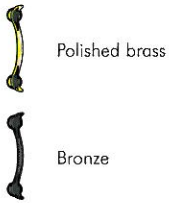
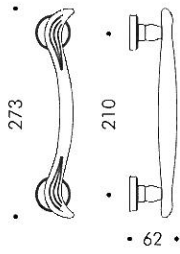
material: brass





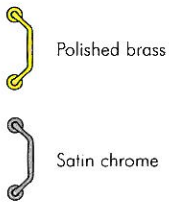
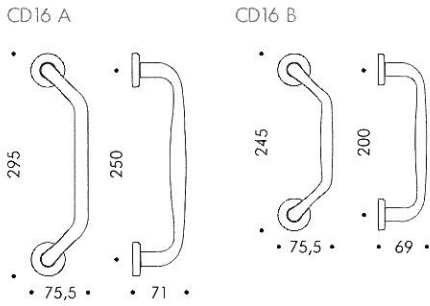
AR16 | PIUMA | Angeletti e Ruzza

material: brass



CD16 | ROBOT | Colombo Design

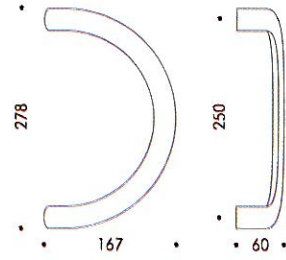
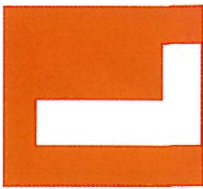
material: brass









LC16 | LOGO | Luca Colombo

material: brass



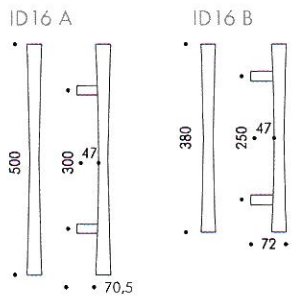
-  Zirconium gold  HPS
-  Chrome
-  Satin chrome





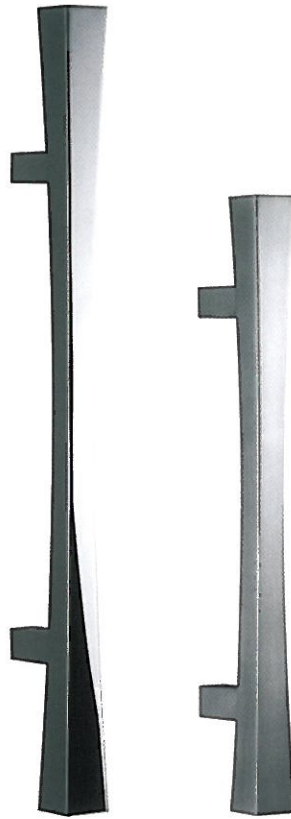
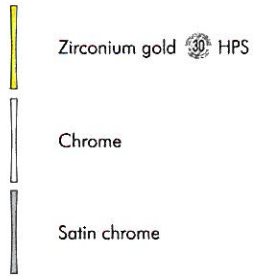
ID16 | NOA | TEAM 3

material: brass



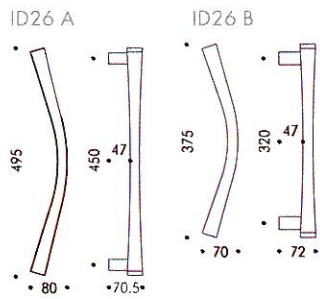
Max/min 33/20

Max/min 30/20



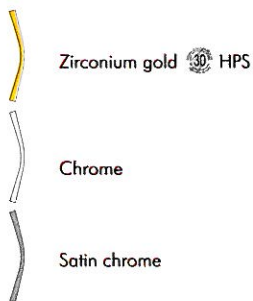
ID26 | NOA | TEAM 3

material: brass

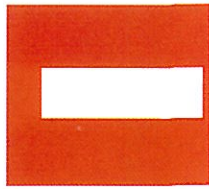


Max/min 33/20

Max/min 30/20



MOUNTING WITHOUT ROSES | DOOR PULLS | INSTALLATION



Pulls price with fixing kit NOT included to be purchased separately

FIXING KIT

DESCRIPTION

TECHNICAL DETAILS

KIT PS
Single pull-bolt through
steel-brass

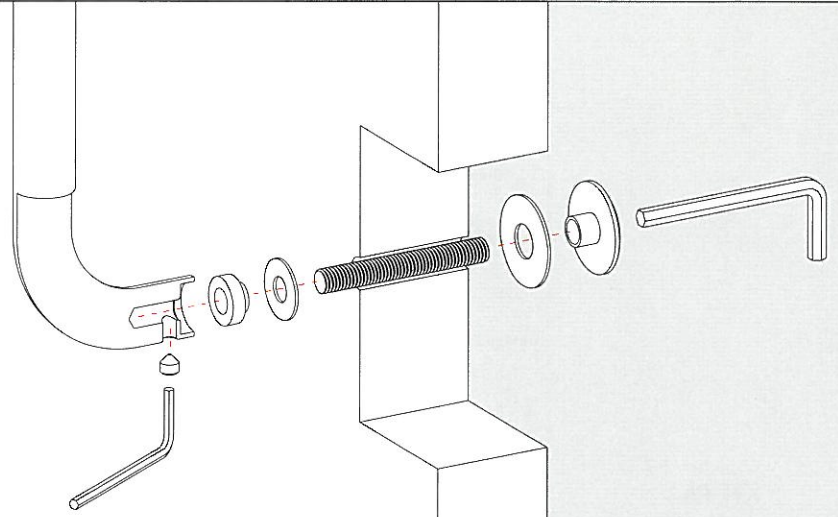


DT
10+80mm

HOLE
Ø11mm

wood doors
aluminium doors
pvc doors
armoured doors

DAYTONA . ESTRO . FLESSO . LOGO . NOA
SQUARE . TANK . TENDER . ZEN

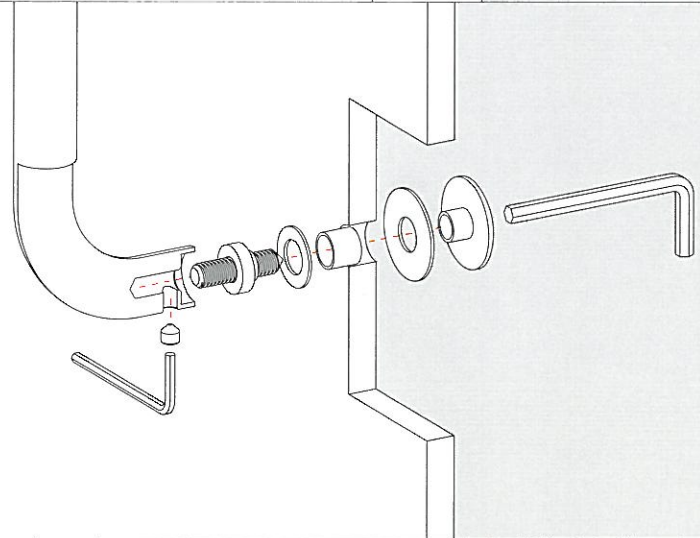


DT
>10mm

HOLE
Ø13mm

glass doors

DAYTONA . ESTRO . FLESSO . LOGO . NOA
SQUARE . TANK . TENDER . ZEN



KIT NP2
Face fixing-Type 2
steel

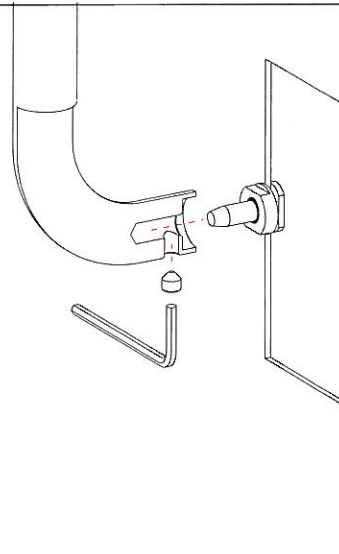


DT
4+6mm

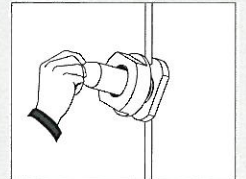
HOLE
Ø13mm

aluminium doors
pvc doors
armoured doors

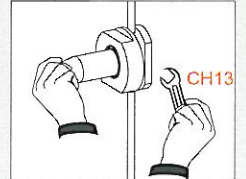
DAYTONA . ESTRO . FLESSO . LOGO . NOA
SQUARE . TANK . TENDER . ZEN



STEP 1





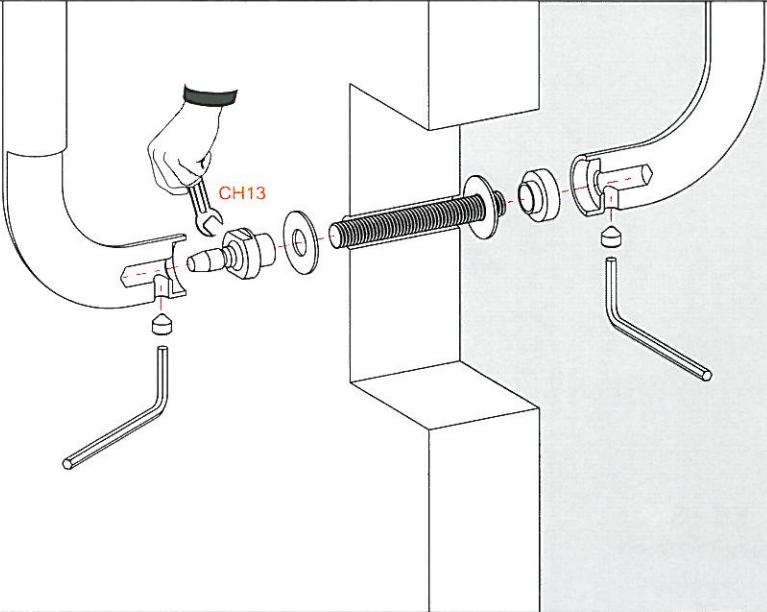

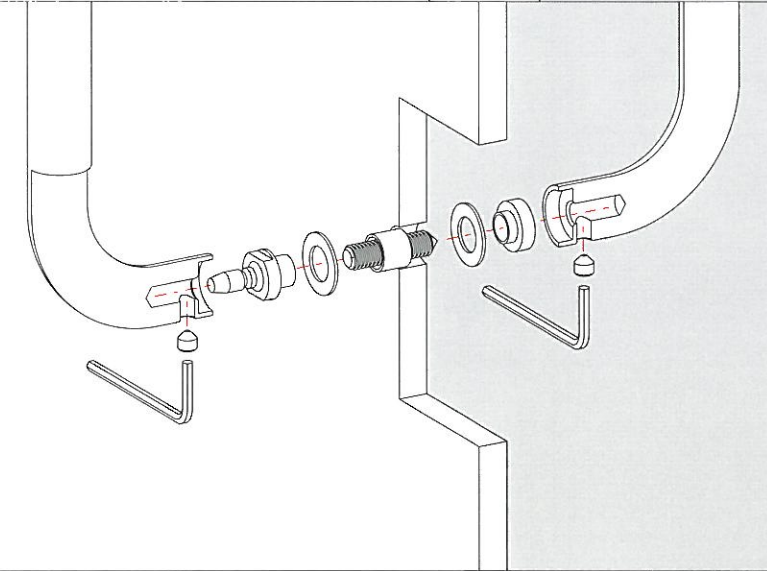


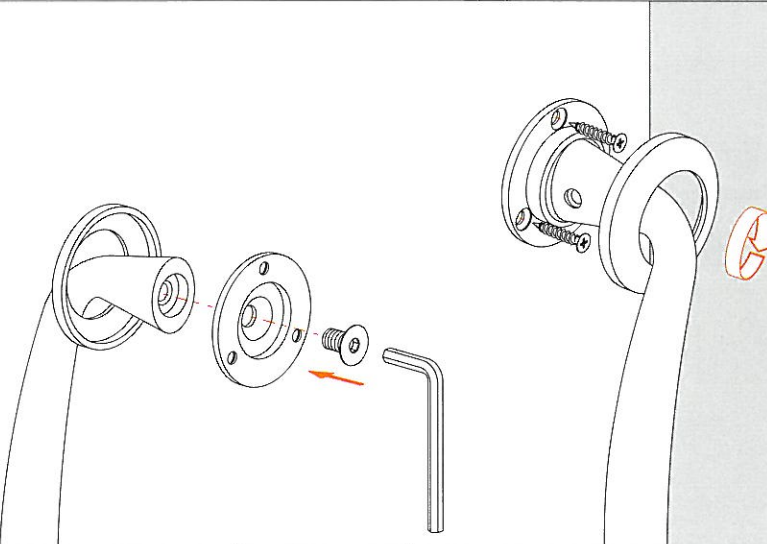
STEP 2



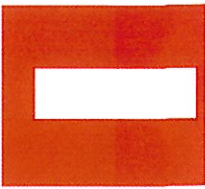


MOUNTING WITHOUT ROSES | DOOR PULLS | INSTALLATION


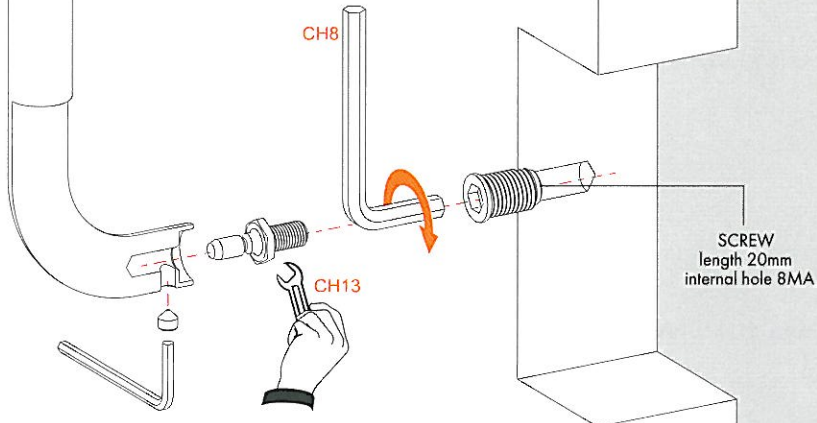


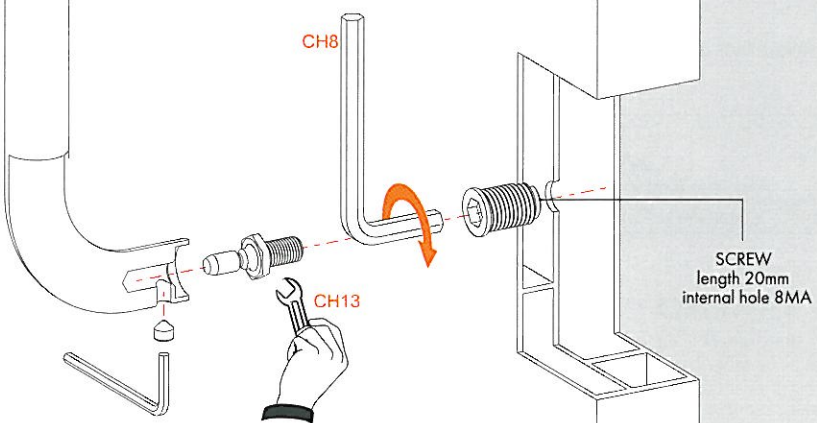

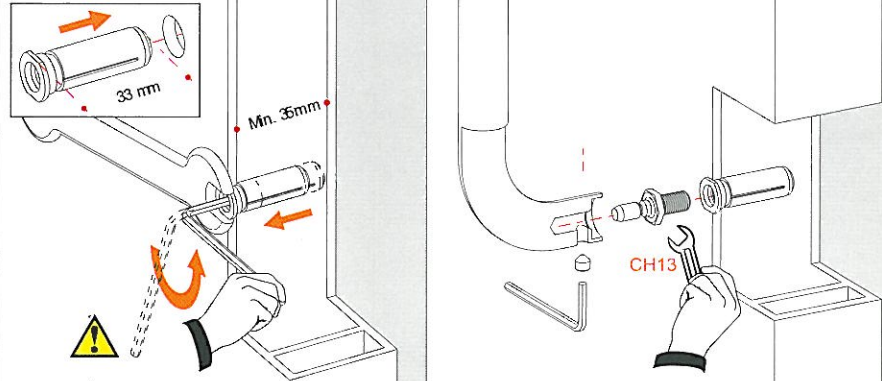
Pulls price with fixing kit NOT included to be purchased separately

FIXING KIT	DESCRIPTION	TECHNICAL DETAILS
<p>KIT PA Back to back fixing steel</p> 	<p> 10+80mm</p> <p>HOLE Ø11mm</p> <p>wood doors</p> <p>aluminium doors</p> <p>pvc doors</p> <p>armoured doors</p>	<p>DAYTONA . ESTRO . FLESSO . LOGO . NOA SQUARE . TANK . TENDER . ZEN</p> 
	<p> >10mm</p> <p>HOLE Ø13mm</p> <p>glass doors</p>	<p>DAYTONA . ESTRO . FLESSO . LOGO . NOA SQUARE . TANK . TENDER . ZEN</p> 
<p>KIT ROS Face fixing on rose</p> <p>steel-brass</p>  	<p>wood doors</p>	<p>DAYTONA . ESTRO . FLESSO . LOGO . NOA SQUARE . TANK . TENDER . ZEN</p> 

MOUNTING WITHOUT ROSES | DOOR PULLS | INSTALLATION




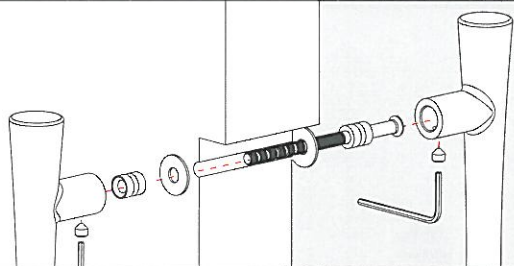

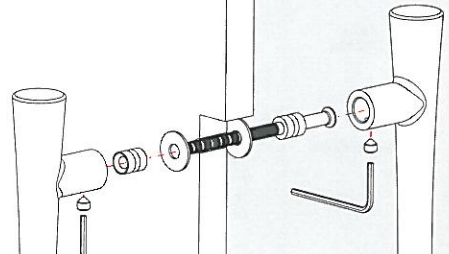
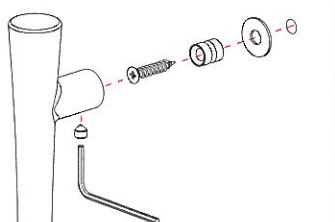
Pulls price with fixing kit NOT included to be purchased separately

FIXING KIT	DESCRIPTION	TECHNICAL DETAILS
	<p>  >30mm HOLE Ø12mm wood doors armoured doors </p>	<p> DAYTONA . ESTRO . FLESSO . LOGO . NOA SQUARE . TANK . TENDER . ZEN </p>  <p>SCREW length 20mm internal hole 8MA</p>
<p> KIT NPU Universal face fixing steel  </p>	<p>  1,5+3mm HOLE Ø12mm aluminium doors pvc doors </p>	<p> DAYTONA . ESTRO . FLESSO . LOGO . NOA SQUARE . TANK . TENDER . ZEN </p>  <p>SCREW length 20mm internal hole 8MA</p>
	<p>  1,5+3mm HOLE Ø12mm aluminium doors single chamber pvc doors </p>	<p> DAYTONA . ESTRO . FLESSO . LOGO . NOA SQUARE . TANK . TENDER . ZEN </p>  <p> 33 mm Min. 35mm Tighten anti-clockwise </p> <p>SCREW length 20mm internal hole 8MA</p>





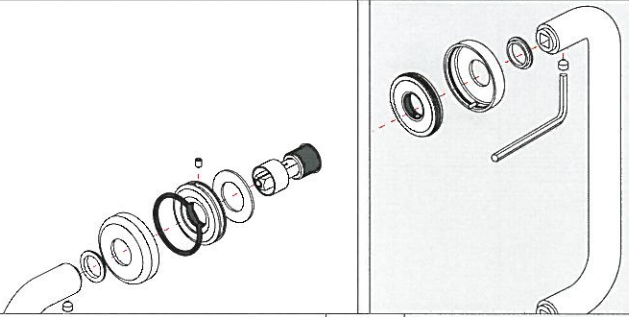
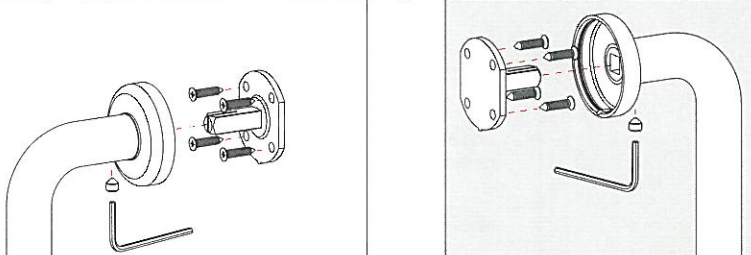
MOUNTING FOR BLUES & JAZZ | DOOR PULLS | INSTALLATION

M5x80 screw NOT included to buy separately (2 screws per each couple of pulls)

FIXING KIT	DESCRIPTION		TECHNICAL DETAILS	
BACK TO BACK FIXING	 10x50mm FORO HOLE Ø6mm wood doors	BLUES . JAZZ		
BACK TO BACK FIXING	 >10mm HOLE Ø6mm glass doors	BLUES . JAZZ		
SINGLE FACE FIXING	wood doors	BLUES . JAZZ		

MOUNTING WITH ROSES | DOOR PULLS |

Glass kit to be purchased separately (2 kits for each pull set) 8mm spindle not included in the kit to be purchased separately. Dummy/C for the face fixing on wood door is included

FIXING KIT	DESCRIPTION		TECHNICAL DETAILS	
KIT VETRO Back to back fixing for glass doors steel 	 HOLE Ø20mm glass doors	PIUMA . ROBOT		
(DUMMY) SINGLE FACE FIXING	wood doors	PIUMA . ROBOT		
SINGLE FACE FIXING	wood doors	NICE	