

Barn Door | Shower Door Hardware : 21  
Locking Ladder Pull | Leather Hardware :



Certificate by Intertek



Sliding door fittings in accordance with ANSI/BHMA A156.14-2013\*

The testing institute Intertek has successfully tested our ABP-Beyerle Sliding Door Top Hung Systems for glass or wooden doors. Systems with certificates include:

- Solid Track:
  - Fletec I, Fletec II, Unotec Home, Tritec (among others).
- Hollow Track:
  - Fletec 4, Fletec 5, Antra I, Antra II, Project (among others).

**Top Hung Systems**

- Durability 175,000 cycles = 1,050,000 Feet
- Door mass: 320 lbs (145 kg)
- Initial friction: ~ 22 N
- Corrosion resistance: 240 h (salt spray test according to EN 1670)

\*American National Standard for Sliding and Folding Door Hardware (Extract)

Sliding door fittings in accordance with EN1527:2013

The testing institute IFT Rosenheim has successfully tested our ABP-Beyerle Sliding Door Base Bottom Rollers for glass and wooden doors.

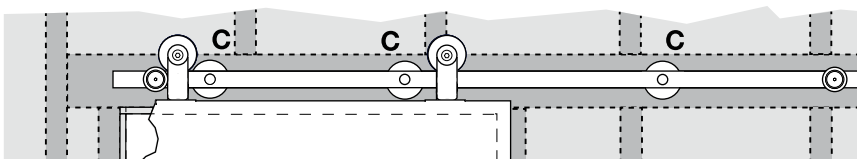
Systems with certificates include:

- Silent Glam, Belans, Base Bottom Roller System

- Durability: 100,000 cycles = 1,000,000 Feet
- Door mass: 330 lbs (150 kg)
- Initial Friction: ~ 3 N
- Corrosion resistance: 240 h (salt spray test according to EN 1670)



(Extract)



**Warning!**

Proper header or mounting beam must be installed for the full length of the sliding door rail to provide adequate support because of the weight of the sliding door system.

**Hanger bolts included are for mounting this product to wood beams or wooden headers ONLY. WARNING: Do not use included hanger bolts for mounting on any other surface. Improper mounting or misuse can cause damage, injury or death. ABP-Beyerle is not responsible for damage or injury caused due to improper installation.**

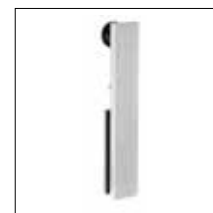
# Table of Contents

Page | Content

4 – 9	<b>Casa</b> - the real barndoor style
10 – 15	<b>Runway</b> – straight – smooth – modern
16 – 19	<b>Pandora</b> – a bunch of colours with „Click & Safe“
20 – 37	<b>Flatec, Unotec, Tritec, Antra</b> – various designs
38 – 49	<b>Project and Flatec VI</b> – hardware for your hospitality and building office project
50 – 58	Base <b>bottom rollersystems</b> - attractive sliding hardware design
59 – 74	<b>Urban</b> - shower door sliding systems
75 – 78	<b>Baluga</b> barndoor hardware – for glass only
79 – 80	<b>Flatec</b> – glass/wall connectors
81 – 97	<b>Locking ladder pulls</b> – for your master key system changeable by your own
98 – 102	<b>Pull handle</b> and flush pulls – for wood and glass
103 – 110	<b>Leather hardware</b> – your private style



Casa



Runway



Pandora



Antra II



Full Moon



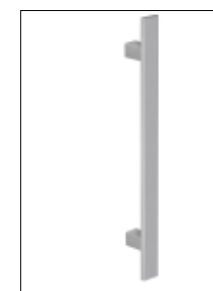
Urban Edge



Baluga



Locking ladder pulls

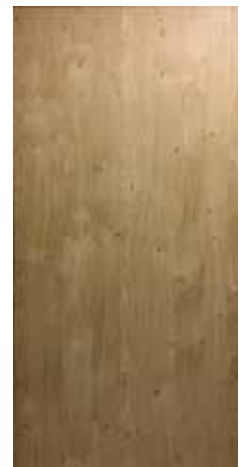


Pull handle Llevel

## Barn Door Hardware Casa | for Wooden Doors



Zirm



Oak



Spruce sunburned  
old wood

» Get a vintage look for your home «

Apply an especially cozy and comfortable feel to your home with our flat track system Casa. The use of door blades in our „used look“ adds a rustic and rugged note, based on a perfect harmony of sunburned wood and modern, easy-gliding technical parts.



---

Barn Door Hardware Casa | for Wooden Doors



Surface black powdered



Surface gunmetal gray



Surface industrial look



# Barn Door Hardware Casa | for Wooden Doors



### Features:

- Single and biparting door sets
- Anti-jump device
- Made from powdered steel,
- Heavy duty polymer roller,
- Finish options: Black, Gunmetal Gray, Industrial Look

### Benefits:

- Match ANSI/BHMA A156.14-2013 Grade 1
- Internal test door thickness  $t = 1\ 3/8" - 1\ 3/4", + 2\ 1/4"$
- Initial friction  $< 10\ \text{NM}$
- Maximum door weight: 320 lbs (145 kg)
- Soft-close optional (see page 9)

### Single door set includes:

- 1 track rail
- 2 trolleys
- 4 (5) wall mounts
- 2 door stoppers
- 1 bottom guide
- hanger bolts

### Biparting door set includes:

- 2 track rails + connector
- 4 trolleys
- 8 (10) wall mounts
- 4 door stoppers
- 2 door bottom guides
- hanger bolts

### Optional:

- Soft-close (see page 9)
- Distances for baseboards and trimmings see page 19

#### Set for single doors

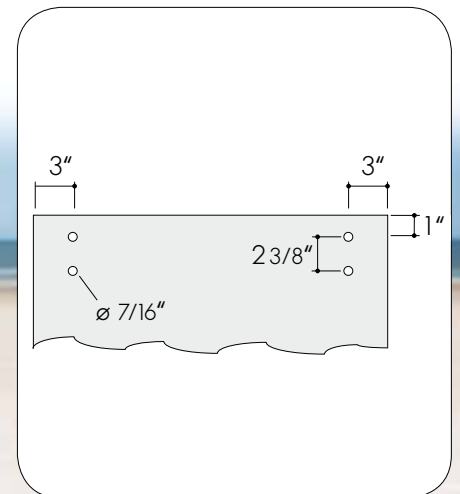
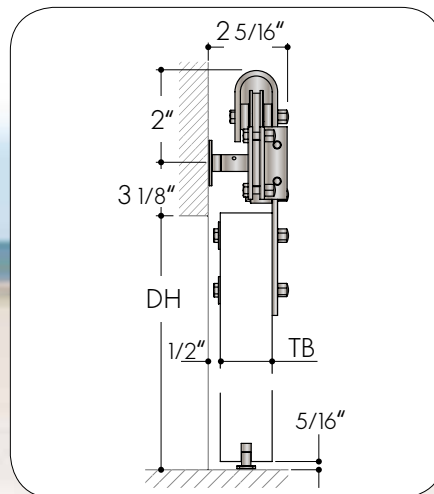
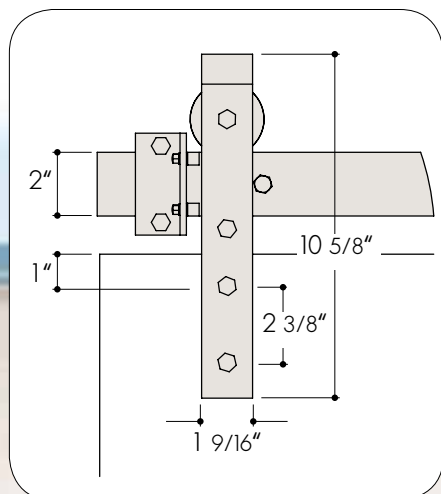
Surface

Passage width	Track rail length	Steel, black powdered	Steel, gunmetal gray	Steel, industrial look
29 1/2" - 35 7/16"	70 7/8"	110.00266	110.00379	110.00381
35 13/16" - 39 3/8"	82 11/16"	110.00267	110.00380	110.00382
39 3/4" - 44 1/16"	90 9/16"	110.00268	110.00383	110.00385
44 1/2" - 49 3/16"	100"	110.00269	110.00384	110.00386

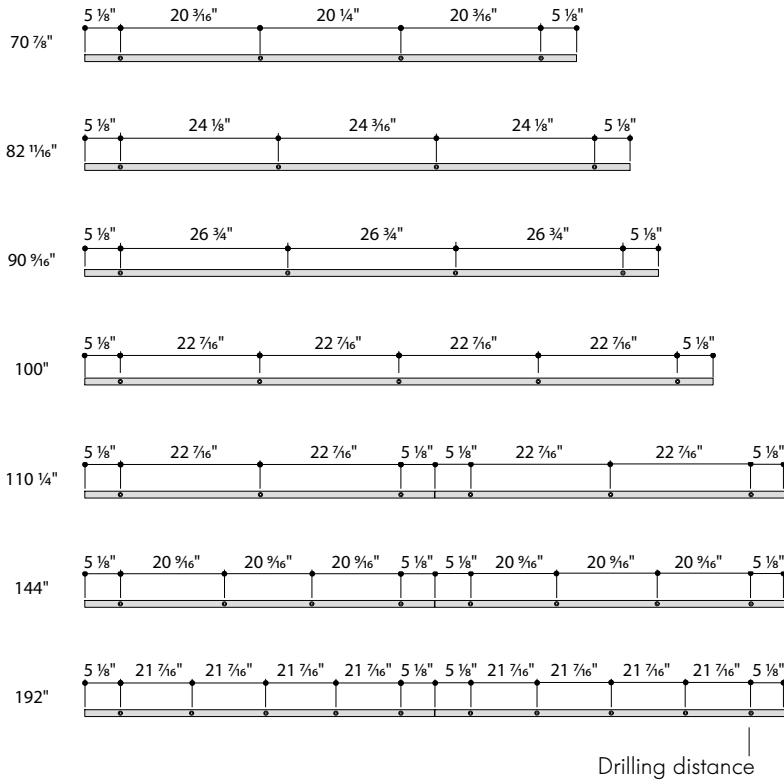
#### Set for biparting doors

Surface

Passage width	Track rail length	Steel, black powdered	Steel, gunmetal gray	Steel, industrial look
59" - 70 7/8"	144"	110.00387	110.00388	110.00389
79" - 94 1/2"	192"	110.00390	110.00391	110.00392



# Track Rail Casa | for Wooden Doors



Steel, black powdered



Steel, gunmetal gray



Steel, industrial look

Track rail 2" x 5/16", steel, black powdered

Track rail length	Passage width	Number of wall brackets
70 7/8"	29 1/2" - 35 7/16"	4
82 11/16"	35 13/16" - 39 3/8"	4
90 9/16"	39 3/4" - 44 1/16"	4
100"	44 1/2" - 49 3/16"	5
110 1/4" (two-part)	49 1/4" - 55 1/8"	6
144"	59" - 70 7/8"	8
192"	78 3/4"	10

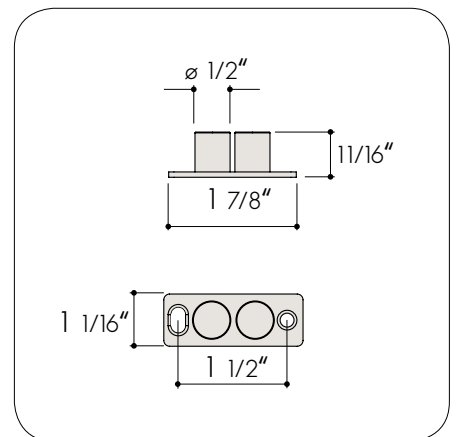
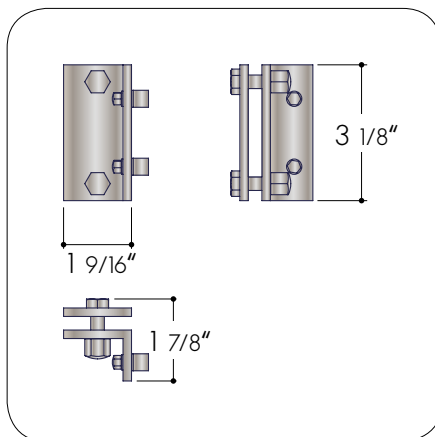
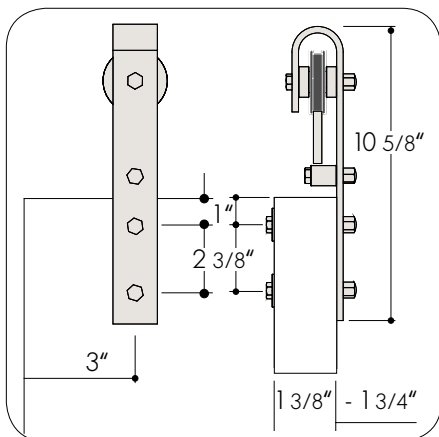
# Barn Door Hardware Casa | for Wooden Doors

Door set Casa includes:

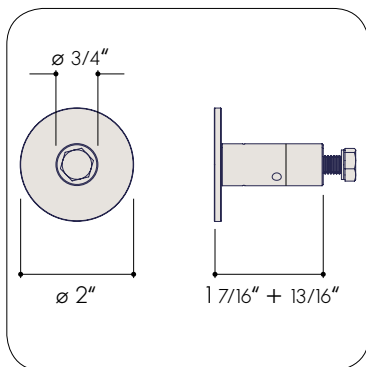
- 2 x Trolleys for wooden doors  
 $t = 1\ 3/8" - 1\ 3/4", + 2\ 1/4"$
- 2 x Door stoppers
- 1 x Bottom guide
- 1 x Installation instruction
- 1 x Tool

Art. No.:

- 110.00027 Hardware set, steel, black powdered
- 110.00405 Hardware set, steel, gunmetal gray
- 110.00406 Hardware set, steel, industrial look



# Accessories System Casa | for Wooden Doors



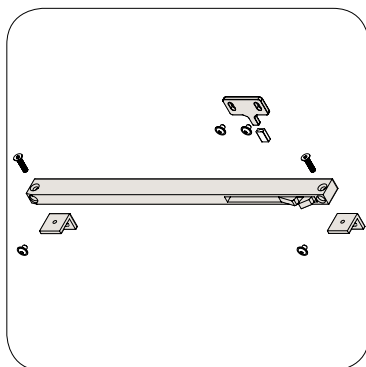
## Wall mount Casa, set

For track rail 2" x 5/16"

For wooden doors  $t = 1 \frac{3}{8}'' - 1 \frac{3}{4}'' + 2 \frac{1}{4}''$

Art. No.	Description
110.00034	Wall mount (2 pieces), black
110.00035	Wall mount (3 pieces), black
110.00407	Wall mount (3 pieces), gunmetal gray
110.00408	Wall mount (3 pieces), gunmetal gray
110.00409	Wall mount (3 pieces), industrial look
110.00410	Wall mount (3 pieces), industrial look

Material: steel



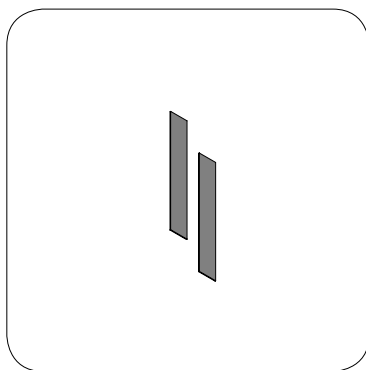
## Soft-close

For wooden door up to 132 lbs (145 kg)

For mounting on track rail 2" x 5/16"

Art. No.	Description
110.00029	Soft-close (pair)

Material: plastic / steel

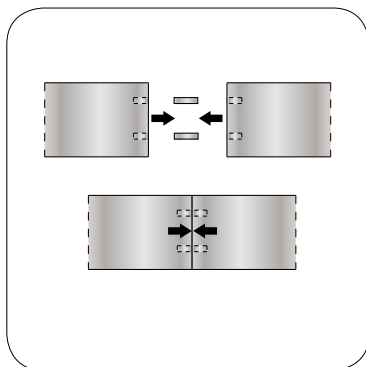


## End Face Cover

Adhesive sticker to protect blank end faces after cutting, 2" x 5/16"

Art. No.	Description
110.00037	Adhesive sticker, black powdered

Material: adhesive foil



## Track Rail Connector

For end face drilling of track rails

Art. No.	Description
110.00036	Set: aglets (pair), drill, drill template,

Installation instructions

Material: metal/plastic

## Barn Door Hardware Runway | for Glass Doors



### » Runway «

The Runway Barndoor System has an extraordinary contemporary linear design. The Runway's invisible connection between door and trolley creates a seamless combination with the edged track. Runway is suitable for clear and modern interior designs. The minimalist look of this system enhances the technical advantages. Runway is for all people that are seeking a modern design in modern metropolitan areas worldwide.

# Barn Door Hardware Runway | for Glass Doors



## Features:

Single and biparting door sets  
 Anti-jump device  
 Made from stainless steel (AISI304L),  
 Heavy duty polymer roller,  
 Finish options: satin stainless steel,  
 stainless steel black powdered

## Benefits:

Match ANSI/BHMA A156.14-2013 Grade 1  
 internal test  
 Door thickness: 5/16" – 1/2"  
 Initial friction < 10 NM  
 Maximum door weight: 176 lbs (80 kg)  
 Height adjustable wall mounts (± 1/8")

## Single door set includes:

1 track rail  
 2 trolleys  
 3 (4) wall mounts  
 2 door stoppers  
 1 door bottom guide  
 Installation screws

## Biparting door set includes:

2 track rails + connector  
 4 trolleys  
 8 (10) wall mounts  
 4 door stoppers  
 2 door bottom guides  
 1 double door stopper  
 Installation screws

## Optional:

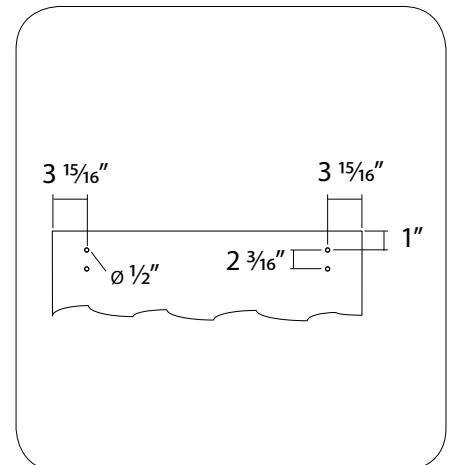
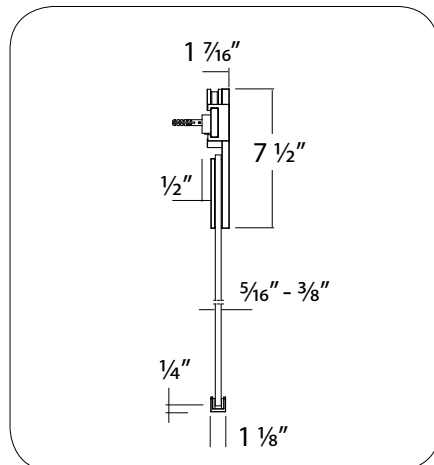
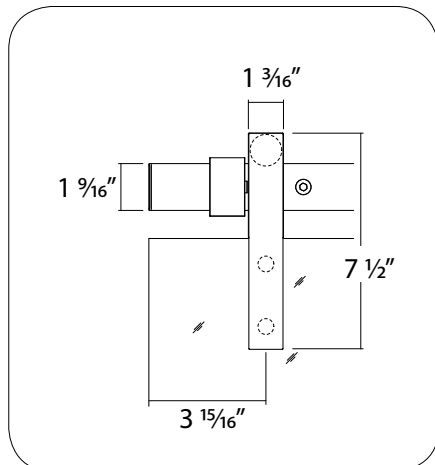
Soft-close option (see page 9)  
 Distances for baseboards and trimmings see page 19

### Set for single doors

Passage width	Track rail length	Surface	
		Satin stainless steel	Steel, black powdered
29 1/2" – 35 7/16"	70 7/8"	110.00050	110.00350
35 13/16" – 39 3/8"	82 11/16"	110.00051	110.00351
39 3/4" – 44 1/16"	90 9/16"	110.00052	-
44 1/2" – 49 3/16"	100"	110.00071	110.00352

### Set for biparting doors

Passage width	Track rail length	Surface	
		Satin stainless steel	Steel, black powdered
59" – 70 7/8"	144"	110.00415	110.00417
79" – 94 1/2"	192"	110.00416	110.00418



# Barn Door Hardware Runway | for Wooden Doors



## Features:

- Single and biparting door sets
- Anti-jump device
- Made from stainless steel (AISI304L),
- Heavy duty polymer roller,
- Finish options: satin stainless steel,
- Stainless steel black powdered

## Benefits:

- Match ANSI/BHMA A156.14-2013 Grade 1 internal test
- Door thickness: 1 7/16" – 1 3/4"
- Initial friction < 10 NM
- Maximum door weight: 176 lbs (80 kg)
- Height adjustable wall mounts (± 1/8")

## Single door set includes:

- 1 track rail
- 2 trolleys
- 3 (4) wall mounts
- 2 door stoppers
- 1 door bottom guide
- Installation screws

## Biparting door set includes:

- 2 track rails + connector
- 4 trolleys
- 8 (10) wall mounts
- 4 door stoppers
- 2 door bottom guides
- Installation screws

## Optional:

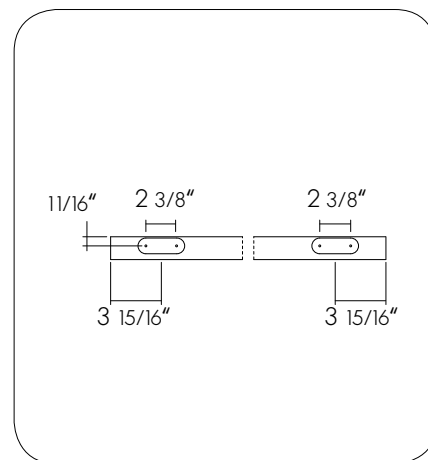
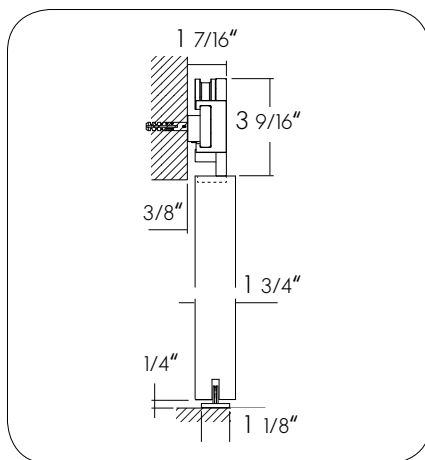
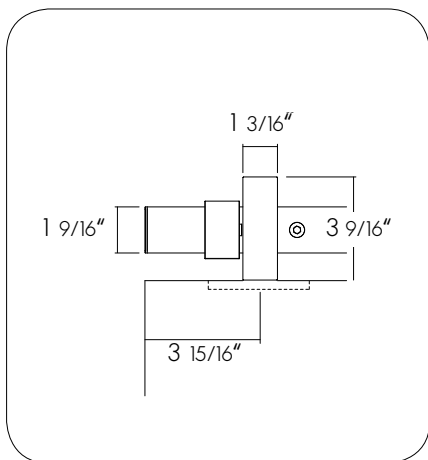
- Soft-close option (see page 9)
- Distances for baseboards and trimmings (see page 19)

Set for single doors  
Surface

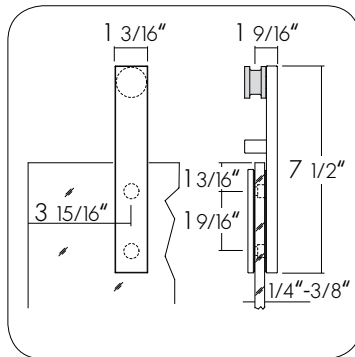
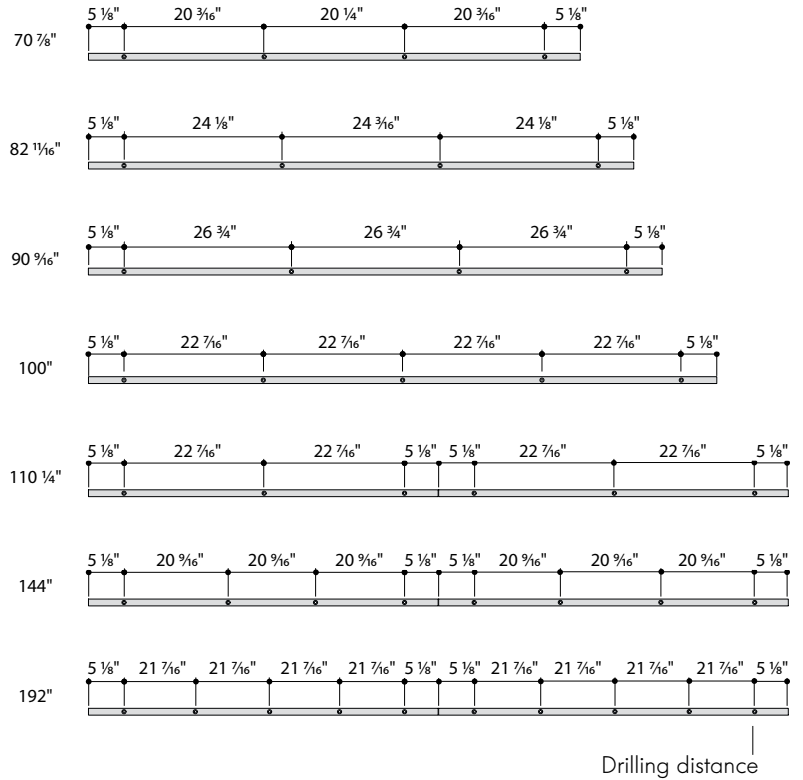
Passage width	Track rail length	Satin stainless steel	Steel, black powdered
29 1/2" – 35 7/16"	70 7/8"	110.00109	110.00411
35 13/16" – 39 3/8"	82 11/16"	110.00110	110.00412
39 3/4" – 44 1/16"	90 9/16"	110.00111	110.00413
44 1/2" – 49 3/16"	100"	110.00112	110.00414

Set for biparting doors  
Surface

Passage width	Track rail length	Satin stainless steel	Steel, black powdered
59" – 70 7/8"	144"	110.00419	110.00421
79" – 94 1/2"	192"	110.00420	110.00422



# Track Rail System Runway | for Glass and Wooden Doors

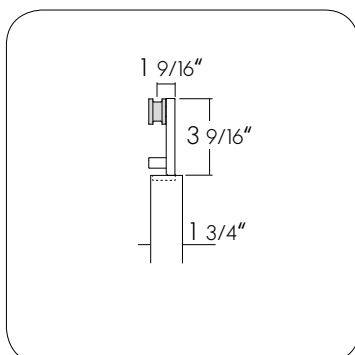


## Trolley Runway for Glass Doors

for glass doors  $t = 5/16'' - 1/2''$   
 glass drill holes  $\varnothing 15/32'' + 1/64''$   
 maximum door weight 176 lbs (80 kg)  
 (per pair)

Art. No.:

USO323EF Satin stainless steel (AISI 304)  
 110.00423 steel, black powdered (AISI 304)



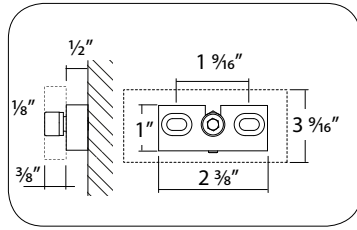
## Short Trolley Runway for Wooden Doors

for wooden doors  $t = 1 7/16'' - 1 3/4''$   
 wood drill holes  $\varnothing 3/8'' + 1/64''$   
 maximum door weight 176 lbs (80 kg)  
 (per pair)

Art. No.:

110.00424 satin stainless steel (AISI 304)  
 110.00425 steel, black powdered (AISI 304)

# Barn Door Hardware Runway | for Glass and Wooden Doors

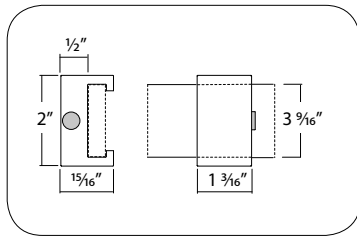


Wall mount

Art. No.:

USO311-2EF (2 pcs)

for glass door  $t = 5/16'' - 1/2''$  on masonry  
 for wooden door  $t = 1 7/16'' - 1 3/4''$  on masonry  
 without baseboards and trimmings  
 height adjustable  $\pm 1/8''$ , with screws  
 aluminum, anodized



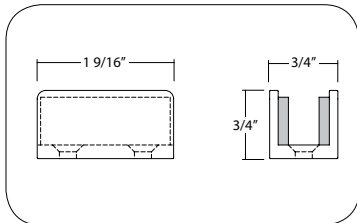
Door stoppers

pair of stoppers (left-right)  
 for glass door  $t = 5/16'' - 1/2''$   
 for wooden door  $t: 1 7/16'' - 1 3/4''$   
 measure: 2" / 1 9/16"

Art. No.:

110.00057 satin stainless steel (AISI 304)

110.00505 steel, black powdered (AISI 304)



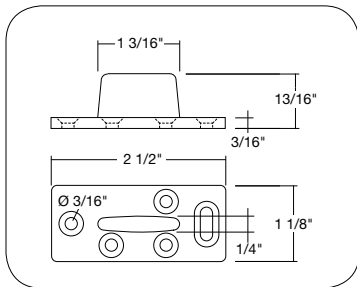
Bottom guide for glass doors

for door panel thickness  $t = 5/16'' - 1/2''$ ,  
 with felt insert

Art. No.:

USO261EF satin stainless steel (AISI 304)

110.00506 steel, black powdered (AISI 304)

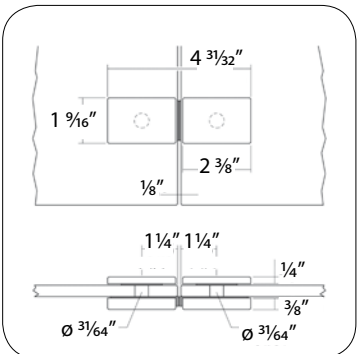


Bottom guide for wooden doors

Art. No.:

USH268K

for door panel thickness  $t > 13/16''$   
 panel channel for bottom guides  $5/16'' \times 11/16''$   
 plastic



Double Door stopper set

Art. No.:

USO257EF

1 pair for biparting panels,  $L = 4 31/32''$ ,  
 satin stainless steel (AISI 303)  
 glass drill holes  $\varnothing 31/64'' + 1/64''$   
 suitable hex key (SW5), Z926: order separately

---

Barn Door Hardware Runway | for Glass and Wooden Doors



# Barn Door Hardware Pandora | for Glass Doors



## Features:

- Single and biparting door sets
- Click & safe anti-jump device
- Made from stainless steel (AISI304L),
- Heavy duty polymer roller,
- Finish options: satin + polished stainless steel, stainless steel powdered in black, dark bronze, matt/rosegold

## Benefits:

- Meets ANSI/BHMA A156.14-2013 grade 1 Internal test
- Door thickness: 5/16" – 1/2"
- Initial friction < 10 NM
- Maximum door weight: 320 lbs (145 kg)

## Single door set includes:

- 1 track rail
- 2 trolleys
- 3 (4) wall mounts
- 2 door stoppers
- 1 door bottom guide
- hanger bolts

## Biparting door set includes:

- 2 track rails + connector
- 4 trolleys
- 8 (10) wall mounts
- 4 door stoppers
- 2 door bottom guides
- 1 double door stopper
- hanger bolts

Optional: Soft-close (see page 15) Distances for baseboards and trimmings (see page 19)

### Set for single glass doors

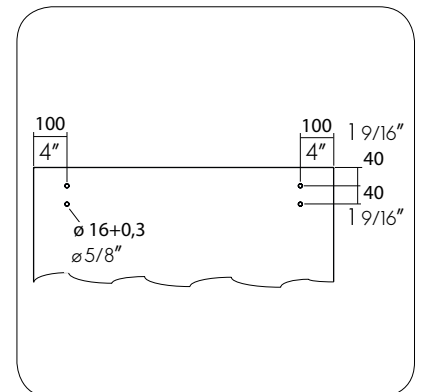
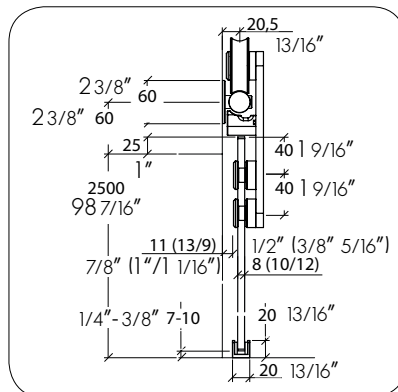
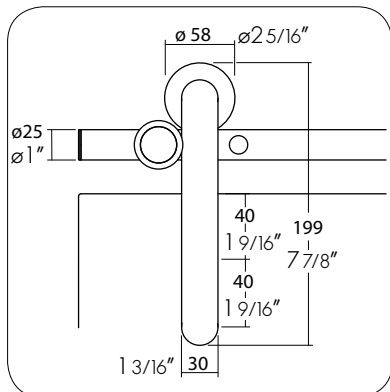
#### Surface

Passage width	Track rail length	satin stainl. steel	stainl. steel, polished	Steel, black powdered	dark bronze	mattgold	rose-gold
29 1/2" – 35 7/16"	70 7/8"	110.00316	110.00320	110.00324	110.00328	110.00332	110.00336
35 13/16" – 39 3/8"	82 11/16"	110.00317	110.00321	110.00325	110.00329	110.00333	110.00337
39 3/4" – 44 1/16"	90 9/16"	110.00318	110.00322	110.00326	110.00330	110.00334	--
44 1/2" – 49 3/16"	100"	110.00319	110.00323	110.00327	110.00331	110.00335	110.00339

### Set for biparting glass doors

#### Surface

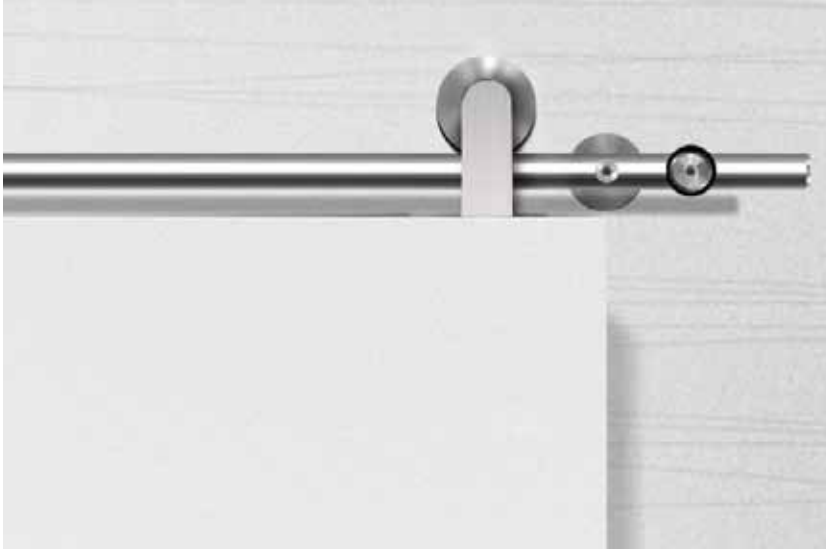
Passage width	Track rail length	satin stainl. steel	stainl. steel, polished	Steel, black powdered	dark bronze	mattgold	rose-gold
59" – 70 7/8"	144"	110.00426	110.00429	110.00431	110.00433	110.00435	110.00437
79" – 94 1/2"	192"	110.00428	110.00430	110.00432	110.00434	110.00436	110.00438



# Barn Door Hardware Pandora | for Wooden Doors

## Features:

- Single and biparting door sets
- Click & safe anti-jump device
- Made from stainless steel (AISI304L),
- Heavy duty polymer roller,
- Finish options: satin + polished stainless steel, stainless steel powdered in black, dark bronze, matt/rosegold



## Benefits:

- ANSI/BHMA A156.14-2013 tested and certified grade 1
- Internal test
- Door thickness: 1 7/16" – 1 3/4"
- Initial friction < 10 NM
- Maximum door weight: 320 lbs (145 kg)

## Single door set includes:

- 1 track rail
- 2 trolleys
- 3 (4) wall mounts
- 2 door stoppers
- 1 door bottom guide
- hanger bolts

## Biparting door set includes:

- 2 track rails + connector
- 4 trolleys
- 8 (10) wall mounts
- 4 door stoppers
- 2 door bottom guides
- hanger bolts

Optional: Soft-close (see page 15) Distances for baseboards and trimmings see page 19



### Set for single glass doors

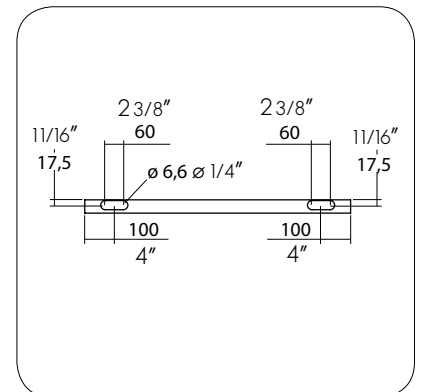
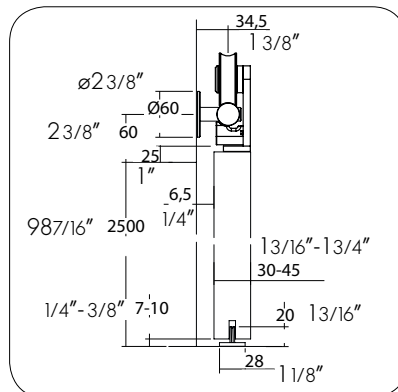
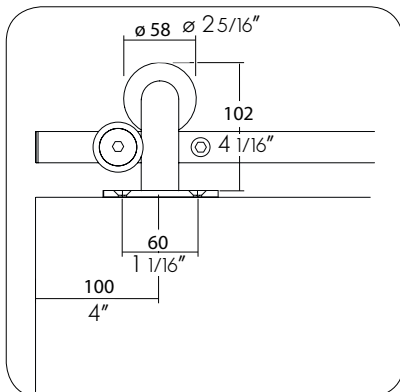
#### Surface

Passage width	Track rail length	satin stainl. steel	stainl. steel, polished	black powdered	dark bronze	mattgold	rose-gold
29 1/2" – 35 7/16"	70 7/8"	110.00353	110.00357	110.00361	110.00365	110.00369	110.00373
35 13/16" – 39 3/8"	82 11/16"	110.00354	110.00358	110.00362	110.00366	110.00370	110.00374
39 3/4" – 44 1/16"	90 9/16"	110.00355	--	110.00363	110.00367	110.00371	--
44 1/2" – 49 3/16"	100"	110.00356	110.00360	110.00364	110.00368	110.00372	110.00375

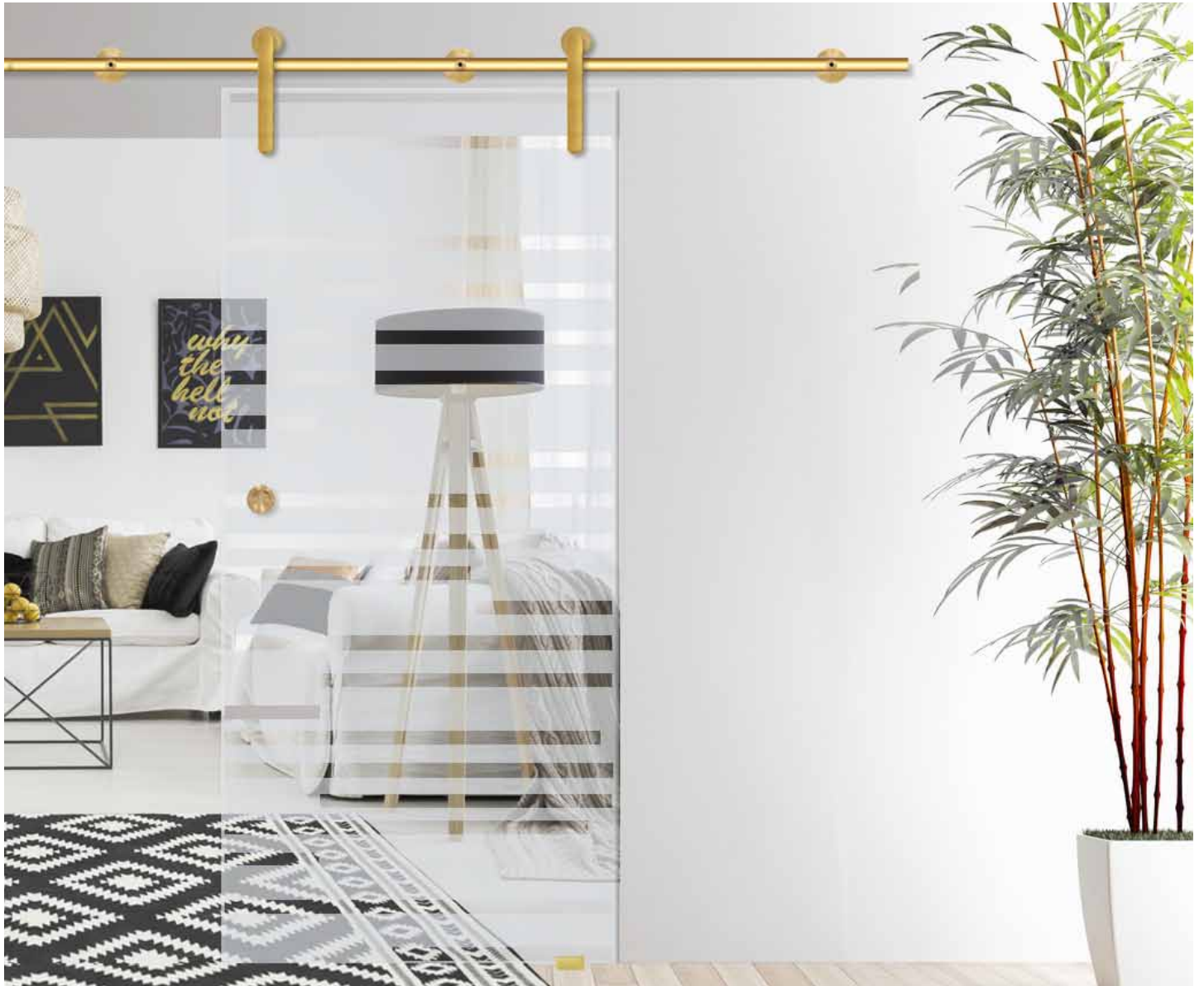
### Set for biparting woden doors

#### Surface

Passage width	Track rail length	satin stainl. steel	stainl. steel, polished	Steel, black powdered	dark bronze	mattgold	rose-gold
59" – 70 7/8"	144"	110.00439	110.00441	110.00443	110.00445	110.00447	110.00449
79" – 94 1/2"	192"	110.00440	110.00442	110.00444	110.00446	110.00448	110.00450



# Barn Door Hardware Pandora | Mattgold



## » Click & Safe «

Our new invention "Click & Safe" is a new and safe anti-jump device. Anti-Jump devices are typically fixed with a screw and pose the risk to loosen this during the lifetime using. This cannot happen with Click & Safe. This new device is fixed with the trolley. A simple 90° turn of the anti-jump device sets it in the right position for your safety.



# Accessories Track Rail System Pandora | for Glass and Wooden Doors



Track rail, satin stainless steel



Track rail, polished stainless steel



Track rail, gold



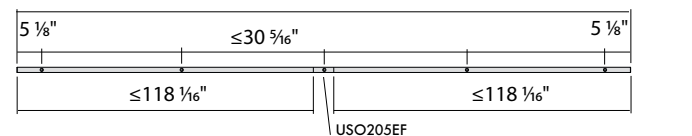
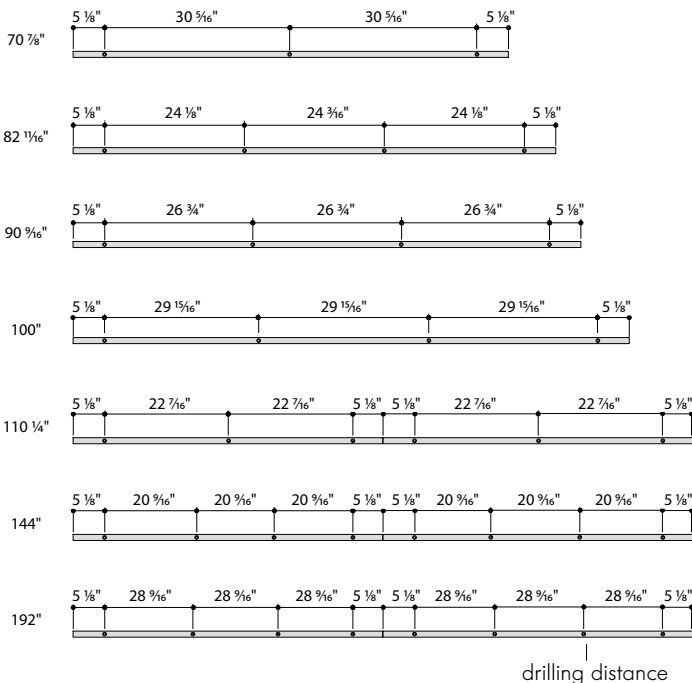
Track rail, rose-gold



Track rail, dark bronze



Track rail, black powdered

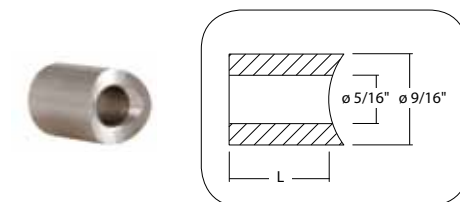


Track rail  $\varnothing$  1", hollow, satin stainless steel (AISI 303), one-piece, for single doors:

track rail length	passage width	number of wall mounts
70 7/8"	29 1/2" – 35 7/16"	3
82 11/16"	35 13/16" – 39 3/8"	4
90 9/16"	39 3/4" – 44 1/16"	4
100"	44 1/2" – 49 3/16"	4

Track rail  $\varnothing$  1", hollow, satin stainless steel (AISI 303) two-pieces, with coupling for bi-parting or larger doors:

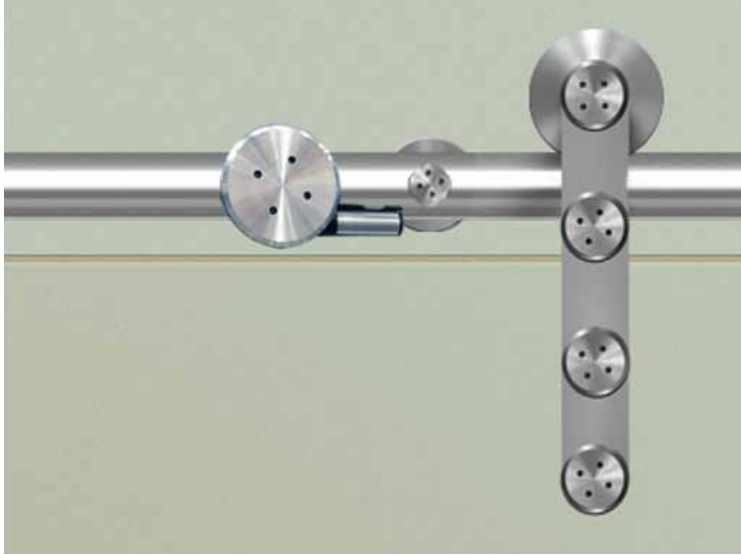
track rail length	passage width	number of wall mounts
118 1/8"	55 1/8" – 59"	5
144"	59" – 70 7/8"	7
192"	78 3/4" – 94 1/2"	9



Spacer for glass doors L: = 3/4"					
Surface					
satin stainless steel USO226-19EF	stainless steel, polished USO226-19EP	Steel, black powdered 110.00451	dark bronze USO226-19DB	mattgold 110.00452	rose-gold 110.00453

Spacer for wooden doors L: 1 5/16"					
Surface					
satin stainless steel USO226-33EF	stainless steel, polished USO226-33EP	Steel, black powdered 110.00454	dark bronze USO226-33DB	mattgold 110.00455	rose-gold 110.00456

# Barn Door Hardware Flatec I | for Glass Doors



### Features:

- Single and biparting door sets
- Anti-jump device
- Solid track rail for smooth and quiet operation
- Made from stainless steel (AISI304L),
- Heavy duty polymer roller,
- Finish options: satin stainless steel

### Benefits:

- ANSI/BHMA A156.14-2013 tested and certified grade 1 Intertek certification
- Door thickness: 5/16" – 1/2"
- Initial friction < 10 NM
- Maximum door weight: 320 lbs (145 kg)
- Trolley height adjustment: ± 1/8"
- Including softstop Soft-Tec

### Single door set includes:

- 1 track rail
- 2 trolleys
- 3 (4) wall mounts
- 2 softstops Soft-Tec
- 1 door bottom guide hanger bolts

### Biparting door set includes:

- 2 track rails + connector
- 4 trolleys
- 8 (10) wall mounts
- 2 softstops Soft-Tec
- 2 door stoppers
- 1 double door stopper
- 2 door bottom guides hanger bolts

### Optional:

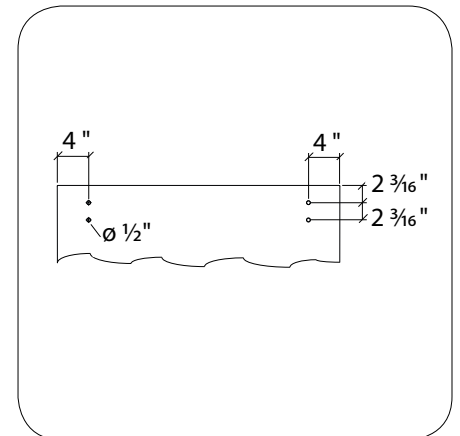
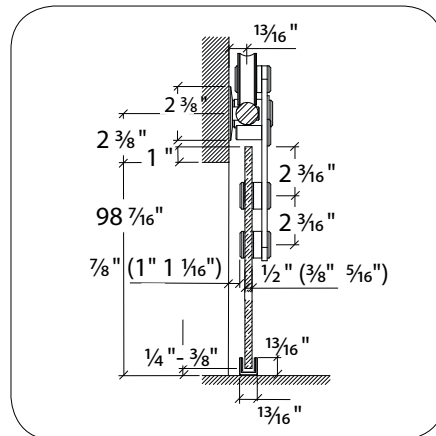
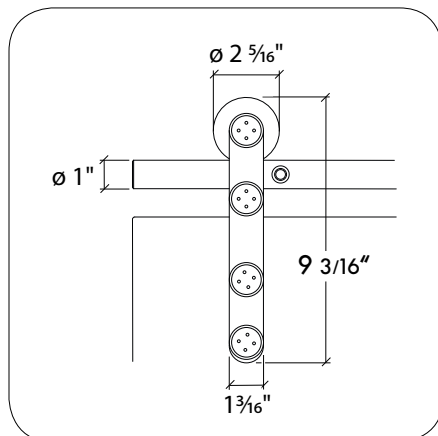
- Distances for baseboards and trimmings see page 35
- Additional parts like adjustable wall mounts see page 34

#### Set for single glass doors

Passage width	Track rail length	Surface
29 1/2" – 35 7/16"	70 7/8"	USU44DS-1800EF
35 13/16" – 39 3/8"	82 11/16"	USU44DS-2100EF
39 3/4" – 44 1/16"	90 9/16"	USU44DS-2300EF
44 1/2" – 49 3/16"	100"	USU44DS-2540EF

#### Set for biparting doors

Passage width	Track rail length	Surface
59" – 70 7/8"	144"	110.00465
79" – 94 1/2"	192"	110.00466



# Barn Door Hardware Flatec I | for Wooden Doors



## Features:

- Single and biparting door sets
- Anti-jump device
- Solid track rail for smooth and quiet operation
- Made from stainless steel (AISI304L),
- Heavy duty polymer roller,
- Finish options: satin stainless steel

## Benefits:

- ANSI/BHMA A156.14-2013 tested and certified grade 1 Intertek certification
- Door thickness: 1 7/16" - 1 3/4"
- Initial friction < 10 NM
- Maximum door weight: 320 lbs (145 kg)
- Height adjustment: ± 1/8"
- Including softstop Soft-Tec

## Single door set includes:

- 1 track rail
- 2 trolleys
- 3 (4) wall mounts
- 2 softstops Soft-Tec
- 1 door bottom guide hanger bolts

## Biparting door set includes:

- 2 track rails + connector
- 4 trolleys
- 8 (10) wall mounts
- 2 softstops Soft-Tec / 2 doorstoppers
- 2 door bottom guides hanger bolts

## Optional:

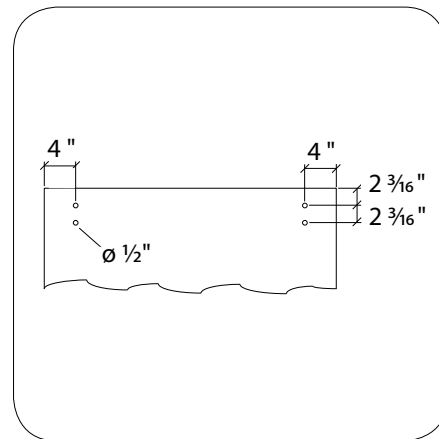
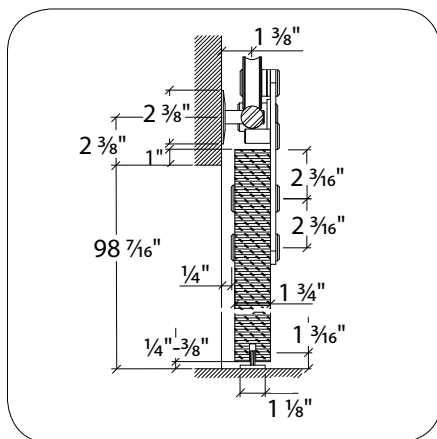
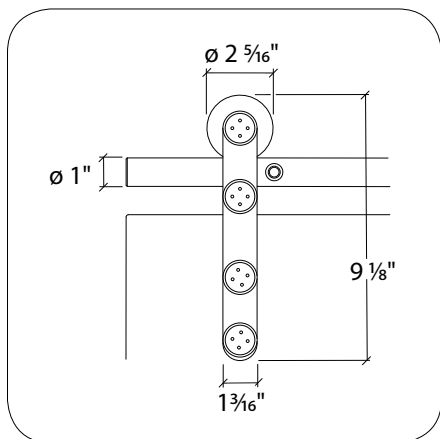
- Distances for baseboards and trimmings see page 35
- Additional parts like adjustable wall mounts see page 34

### Set numbers

Passage width	Track rail length	Surface
29 1/2" - 35 7/16"	70 7/8"	USU45DS-1800EF
35 13/16" - 39 3/8"	82 11/16"	USU45DS-2100EF
39 3/4" - 44 1/16"	90 9/16"	USU45DS-2300EF
44 1/2" - 49 3/16"	100"	USU45DS-2540EF

### Set for biparting doors

Passage width	Track rail length	Surface
59" - 70 7/8"	144"	110.00467
79" - 94 1/2"	192"	110.00468



# Barn Door Hardware Flatec II | for Wooden Doors



### Features:

- Single and biparting door sets
- Anti-jump device
- Solid track rail for smooth and quiet operation
- Made from stainless steel (AISI304L),
- Heavy duty polymer roller,
- Finish options: satin stainless steel

### Benefits:

- ANSI/BHMA A156.14-2013 tested and certified grade 1 Intertek certification
- Door thickness: 1 7/16" - 1 3/4"
- Initial friction < 10 NM
- Maximum door weight: 320 lbs (145 kg) Including softstop Soft-Tec

### Single door set includes:

- 1 track rail
- 2 trolleys
- 3 (4) wall mounts
- 1 door bottom guide
- 2 softstops Soft-Tec
- hanger bolts

### Biparting door set includes:

- 2 track rails + connector
- 4 trolleys
- 8 (10) wall mounts
- 2 softstops Soft-Tec / 2 doorstoppers
- 2 door bottom guides
- hanger bolts

### Optional:

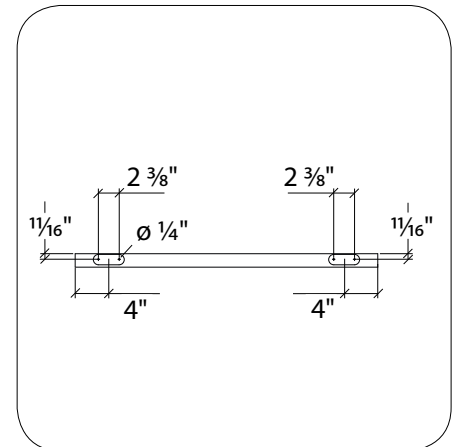
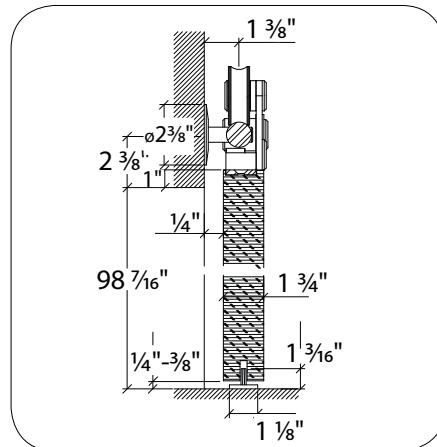
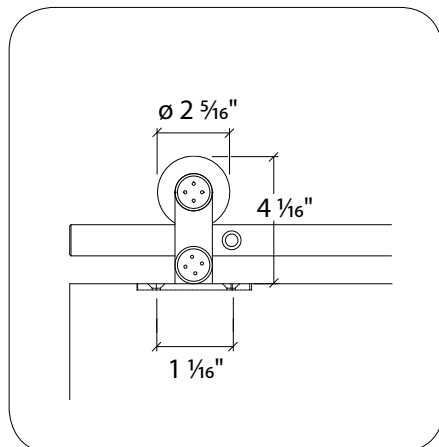
- Distances for baseboards and trimmings see page 35
- Additional parts like adjustable wall mounts see page 34

#### Set for single glass doors

Passage width	Track rail length	Surface
29 1/2" – 35 7/16"	70 7/8"	satin stainless steel
35 13/16" – 39 3/8"	82 11/16"	USU55DS-2100EF
39 3/4" – 44 1/16"	90 9/16"	USU55DS-2300EF
44 1/2" – 49 3/16"	100"	USU55DS-2540EF

#### Set for biparting doors

Passage width	Track rail length	Surface
59" – 70 7/8"	144"	satin stainless steel
79" – 94 1/2"	192"	110.00469 110.00470





New York:  
Trolley Flatec 1, Door handle Impero,  
Flatec glass connector



Biparting door, Flatec 1, Door handle Impero

# Barn Door Hardware Unotec | for Glass Doors



### Features:

- Single and biparting door sets
- Anti-jump device
- Solid track rail for smooth and quiet operation
- Made from stainless steel (AISI304L),
- Heavy duty polymer roller,
- Finish options: satin stainless steel

### Benefits:

- ANSI/BHMA A156.14-2013 tested and certified grade 1 Intertek certification
- Door thickness: 5/16" – 1/2"
- Initial friction < 10 NM
- Maximum door weight: 320 lbs (145 kg) Including softstop Soft-Tec

### Single door set includes:

- 1 track rail
- 2 trolleys
- 3 (4) wall mounts
- 1 door bottom guide
- 2 softstops Soft-Tec hanger bolts

### Biparting door set includes:

- 2 track rails + connector
- 4 trolleys
- 8 (10) wall mounts
- 2 softstops Soft-Tec / 2 doorstoppers
- 2 door bottom guides
- 1 Double door stop hanger bolts

### Optional:

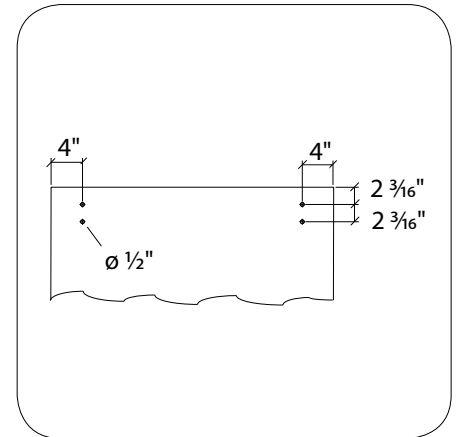
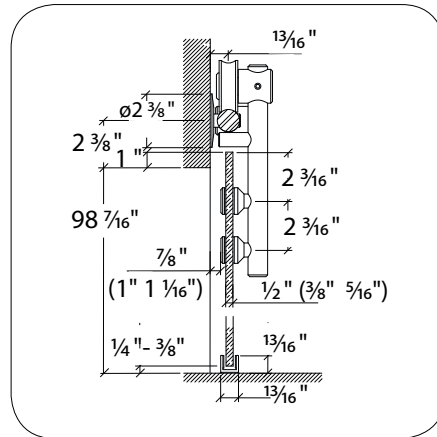
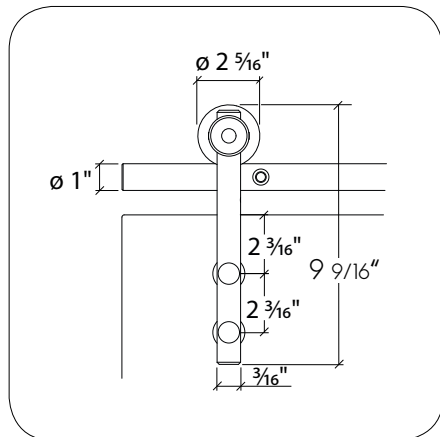
- Distances for baseboards and trimmings see page 35
- Additional parts like adjustable wall mounts see page 34

### Set for single glass doors

Passage width	Track rail length	Surface
29 1/2" – 35 7/16"	70 7/8"	Satin stainless steel
35 13/16" – 39 3/8"	82 11/16"	USU34DS-1800EF
39 3/4" – 44 1/16"	90 9/16"	USU34DS-2100EF
44 1/2" – 49 3/16"	100"	USU34DS-2300EF
		USU34DS-2540EF

### Set for biparting doors

Passage width	Track rail length	Surface
59" – 70 7/8"	144"	satin stainless steel
79" – 94 1/2"	192"	110.00471
		110.00472



# Barn Door Hardware Unotec | for Wooden Doors



## Features:

- Single and biparting door sets
- Anti-jump device
- Solid track rail for smooth and quiet operation
- Made from stainless steel (AISI304L),
- Heavy duty polymer roller,
- Finish options: satin stainless steel

## Benefits:

- ANSI/BHMA A156.14-2013 tested and certified grade 1 Intertek certification
- Door thickness: 1 7/16" - 1 3/4"
- Initial friction < 10 NM
- Maximum door weight: 320 lbs (145 kg) Including softstop Soft-Tec

## Single door set includes:

- 1 track rail
- 2 trolleys
- 3 (4) wall mounts
- 1 door bottom guide
- 2 softstops Soft-Tec
- hanger bolts

## Biparting door set includes:

- 2 track rails + connector
- 4 trolleys
- 8 (10) wall mounts
- 2 softstops Soft-Tec /2 doorstoppers
- 2 door bottom guides
- hanger bolts

## Optional:

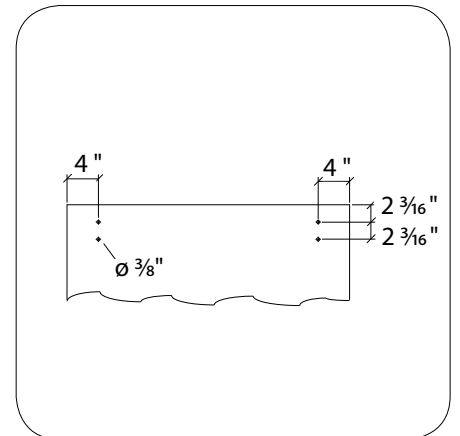
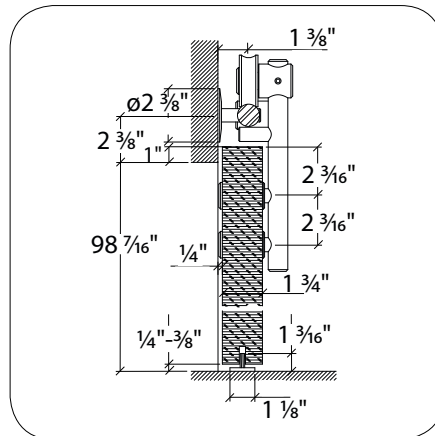
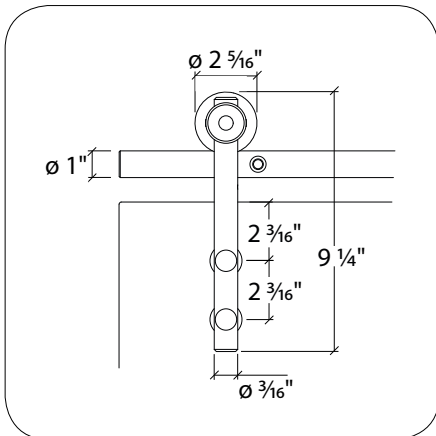
- Distances for baseboards and trimmings see page 35
- Additional parts like adjustable wall mounts see page 34

### Set for single wooden doors

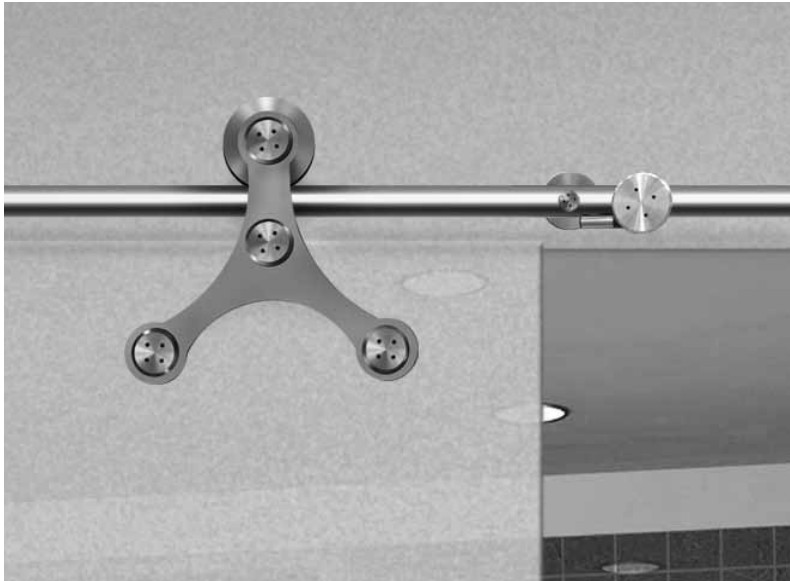
Passage width	Track rail length	Surface
29 1/2" - 35 7/16"	70 7/8"	Satin stainless steel
35 13/16" - 39 3/8"	82 11/16"	USU35DS-1800EF
39 3/4" - 44 1/16"	90 9/16"	USU35DS-2100EF
44 1/2" - 49 3/16"	100"	USU35DS-2300EF
		USU35DS-2540EF

### Set for biparting doors

Passage width	Track rail length	Surface
59" - 70 7/8"	144"	satin stainless steel
79" - 94 1/2"	192"	<b>110.00473</b>
		<b>110.00474</b>



# Barn Door Hardware Tritec | for Glass Doors



## Features:

- Single and biparting door sets
- Anti-jump device
- Solid track rail for smooth and quiet operation
- Made from stainless steel (AISI304L),
- Heavy duty polymer roller,
- Finish options: satin stainless steel

## Benefits:

- ANSI/BHMA A156.14-2013 tested and certified grade 1 Intertek certification
- Door thickness: 5/16" – 1/2"
- Initial friction < 10 NM
- Maximum door weight: 320 lbs (145 kg)
- Height adjustment ± 1/8"
- Including softstop Soft-Tec

## Single door set includes:

- 1 track rail
- 2 trolleys
- 3 (4) wall mounts
- 1 door bottom guide
- 2 softstops Soft-Tec hanger bolts

## Biparting door set includes:

- 2 track rails + connector
- 4 trolleys
- 8 (10) wall mounts
- 2 softstops Soft-Tec / 2 doorstoppers
- 2 door bottom guides
- 1 Double door stop hanger bolts

## Optional:

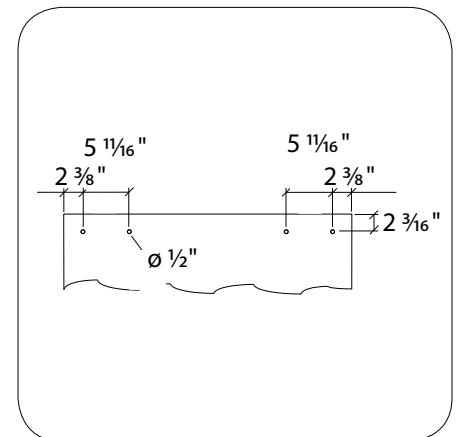
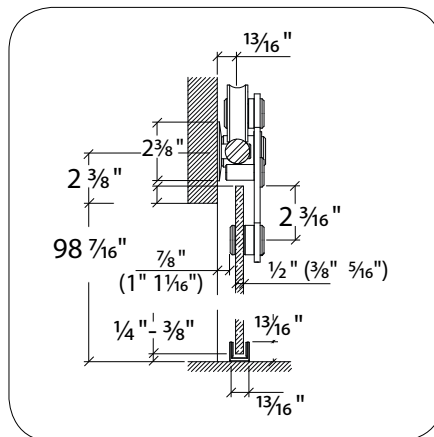
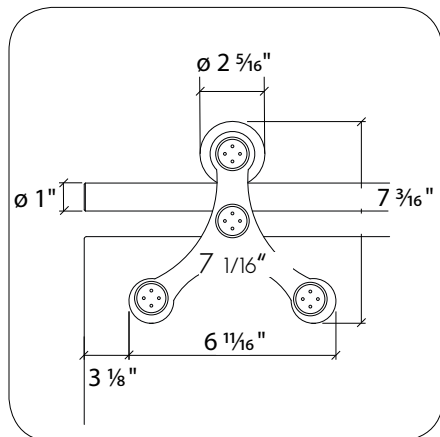
- Distances for baseboards and trimmings see page 35
- Additional parts like adjustable wall mounts see page 34

### Set for single glass doors

Passage width	Track rail length	Surface
29 1/2" – 35 7/16"	70 7/8"	Satin stainless steel USU64DS-1800EF
35 13/16" – 39 3/8"	82 11/16"	USU64DS-2100EF
39 3/4" – 44 1/16"	90 9/16"	USU64DS-2300EF
44 1/2" – 49 3/16"	100"	USU64DS-2540EF

### Set for biparting doors

Passage width	Track rail length	Surface
59" – 70 7/8"	144"	satin stainless steel 110.00475
79" – 94 1/2"	192"	110.00476



# Barn Door Hardware Tritec | for Wooden Doors



## Features:

- Single and biparting door sets
- Anti-jump device
- Solid track rail for smooth and quiet operation
- Made from stainless steel (AISI304L),
- Heavy duty polymer roller,
- Finish options: satin stainless steel

## Benefits:

- ANSI/BHMA A156.14-2013 tested and certified grade 1 Intertek certification
- Door thickness: 1 7/16" - 1 3/4"
- Initial friction < 10 NM
- Maximum door weight: 320 lbs (145 kg)
- Height adjustment  $\pm 1/8"$
- Including softstop Soft-Tec

## Single door set includes:

- 1 track rail
- 2 trolleys
- 3 (4) wall mounts
- 1 door bottom guide
- 2 softstops Soft-Tec
- hanger bolts

## Biparting door set includes:

- 2 track rails + connector
- 4 trolleys
- 8 (10) wall mounts
- 2 softstops Soft-Tec / 2 doorstoppers
- 2 door bottom guides
- hanger bolts

## Optional:

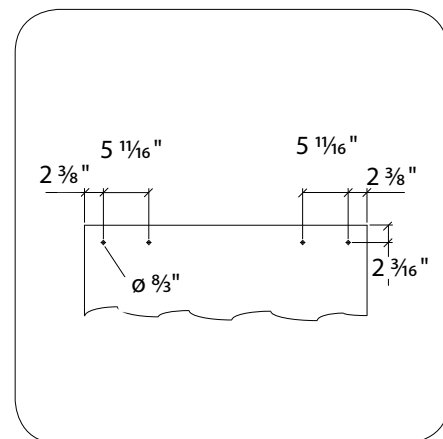
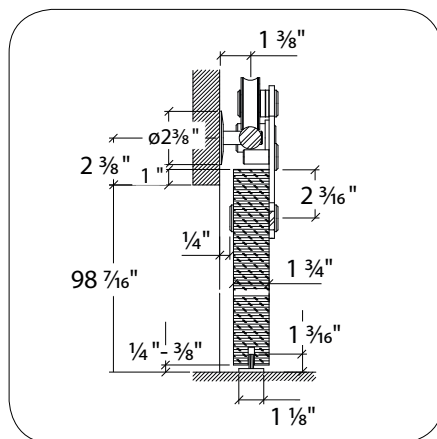
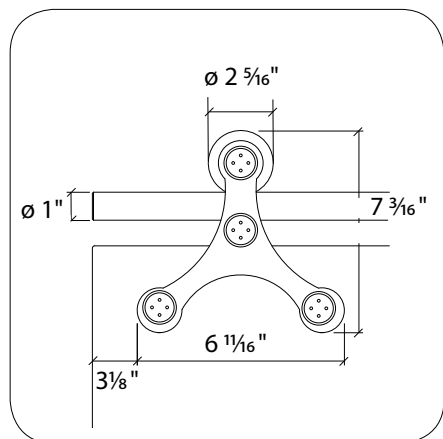
- Distances for baseboards and trimmings see page 35
- Additional parts like adjustable wall mounts see page 34

### Set for single wooden doors

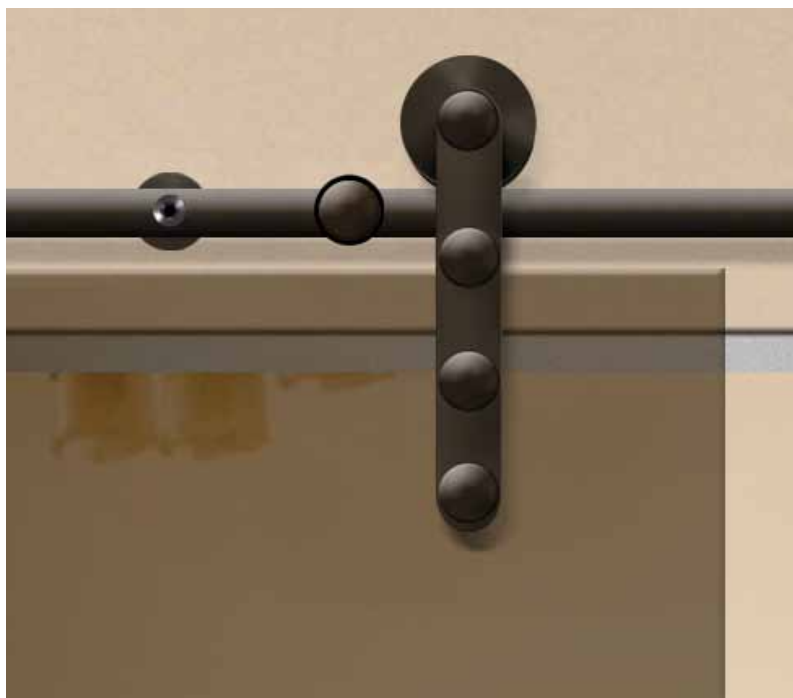
Passage width	Track rail length	Surface
29 1/2" - 35 7/16"	70 7/8"	USU65DS-1800EF Satin stainless steel
35 13/16" - 39 3/8"	82 11/16"	USU65DS-2100EF
39 3/4" - 44 1/16"	90 9/16"	USU65DS-2300EF
44 1/2" - 49 3/16"	100"	USU65DS-2540EF

### Set for biparting doors

Passage width	Track rail length	Surface
59" - 70 7/8"	144"	110.00477 satin stainless steel
79" - 94 1/2"	192"	110.00478



# Barn Door Hardware Antra I | for Glass Doors



## Features:

- Single and biparting door sets
- Anti-jump device
- Made from stainless steel (AISI304L),
- Heavy duty polymer roller,
- Finish options: stainless steel, dark bronze powdered

## Benefits:

- ANSI/BHMA A156.14-2013 tested and certified grade 1
- Intertek certification
- Door thickness: 5/16" – 1/2"
- Initial friction < 10 NM
- Maximum door weight: 320 lbs (145 kg)
- Height adjustment ± 1/8"

## Single door set includes:

- 1 track rail
- 2 trolleys
- 3 (4) wall mounts
- 1 door bottom guide
- 2 Doorstoppers
- hanger bolts

## Biparting door set includes:

- 2 track rails + connector
- 4 trolleys
- 8 (10) wall mounts
- 4 Doorstoppers
- 2 door bottom guides
- 1 Double door stop
- hanger bolts

## Optional:

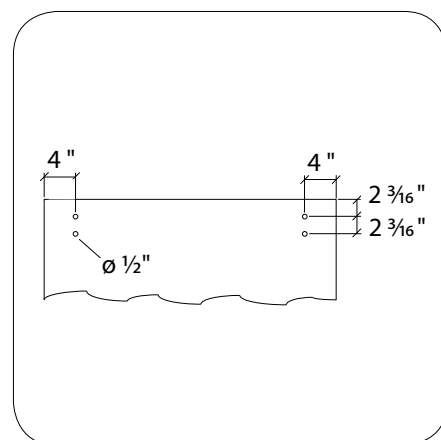
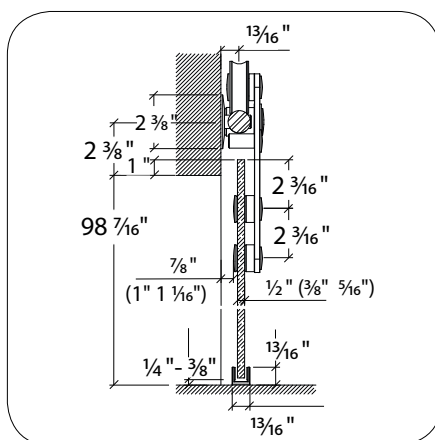
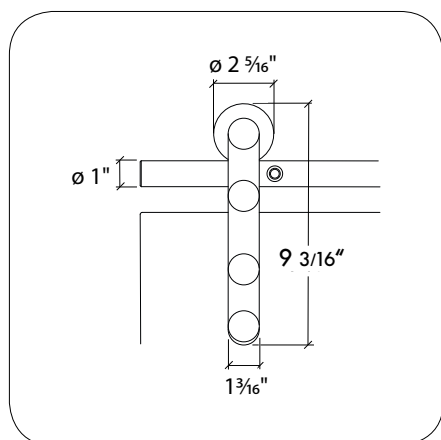
Distances for baseboards and trimmings see page 35

### Set for single glass doors

Passage width	Track rail length	Surface
29 1/2" – 35 7/16"	70 7/8"	Satin stainless steel DB USU46.1-1800DB
35 13/16" – 39 3/8"	82 11/16"	USU46.1-2100DB
39 3/4" – 44 1/16"	90 9/16"	USU46.1-2300DB
44 1/2" – 49 3/16"	100"	USU46.1-2540DB

### Set for biparting doors

Passage width	Track rail length	Surface
59" – 70 7/8"	144"	satin stainless steel DB 110.00479
79" – 94 1/2"	192"	110.00480



# Barn Door Hardware Antra | for Wooden Doors



## Features:

- Single and biparting door sets
- Anti-jump device
- Made from stainless steel (AISI304L),
- Heavy duty polymer roller,
- Finish options: stainless steel, dark bronze powdered

## Benefits:

- ANSI/BHMA A156.14-2013 tested and certified grade 1 Intertek certification
- Door thickness: 1 7/16" - 1 3/4"
- Initial friction < 10 NM
- Maximum door weight: 320 lbs (145 kg)
- Height adjustment  $\pm 1/8"$

## Single door set includes:

- 1 track rail
- 2 trolleys
- 3 (4) wall mounts
- 1 door bottom guide
- 2 door stoppers
- hanger bolts

## Biparting door set includes:

- 2 track rails + connector
- 4 trolleys
- 8 (10) wall mounts
- 4 Doorstoppers
- 2 door bottom guides
- hanger bolts

## Optional:

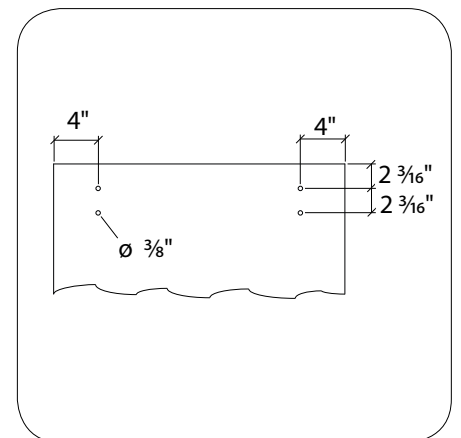
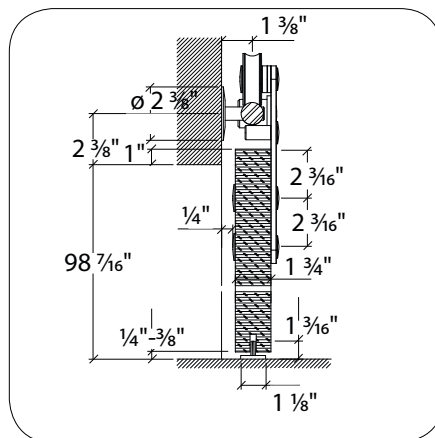
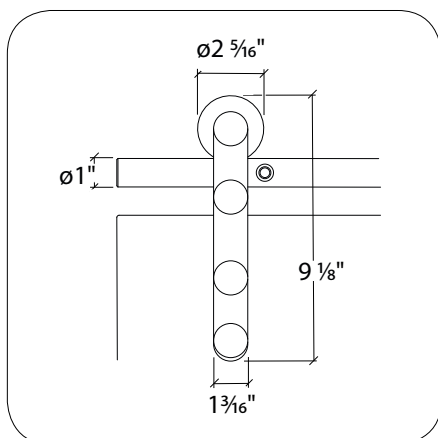
Distances for baseboards and trimmings see page 35

### Set for single wooden doors

Passage width	Track rail length	Surface
29 1/2" - 35 7/16"	70 7/8"	Stainless steel DB
35 13/16" - 39 3/8"	82 11/16"	USU471-2100DB
39 3/4" - 44 1/16"	90 9/16"	USU471-2300DB
44 1/2" - 49 3/16"	100"	USU471-2540DB

### Set for biparting doors

Passage width	Track rail length	Surface
59" - 70 7/8"	144"	sat in stainless steel DB
79" - 94 1/2"	192"	110.00481
		110.00482



# Barn Door Hardware Antra II | for Wooden Doors



## Features:

- Single and biparting door sets
- Anti-jump device
- Solid track rail for smooth and quiet operation
- Made from stainless steel (AISI304L),
- Heavy duty polymer roller,
- Finish options: stainless steel, dark bronze powdered

## Benefits:

- ANSI/BHMA A156.14-2013 tested and certified grade 1 Intertek certification
- Door thickness: 1 7/16" - 1 3/4"
- Initial friction < 10 NM
- Maximum door weight: 320 lbs (145 kg)

## Single door set includes:

- 1 track rail
- 2 trolleys
- 3 (4) wall mounts
- 1 door bottom guide
- 2 door stoppers
- hanger bolts

## Biparting door set includes:

- 2 track rails + connector
- 4 trolleys
- 8 (10) wall mounts
- 4 Doorstoppers
- 2 door bottom guides
- hanger bolts

## Optional:

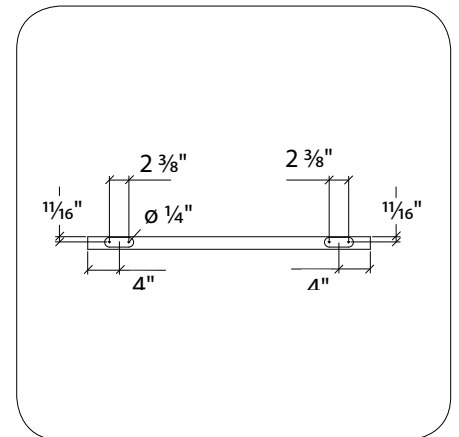
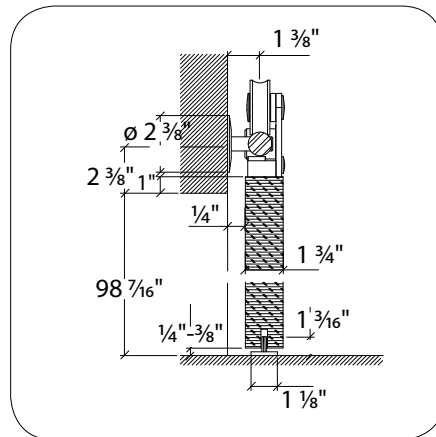
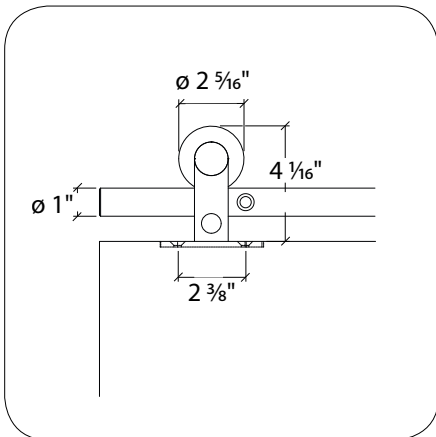
Distances for baseboards and trimmings see page 35

Set numbers for single wooden panels

Passage width	Track rail length	Surface
29 1/2" - 35 7/16"	70 7/8"	Stainless steel DB USU56.1-1800DB
35 13/16" - 39 3/8"	82 11/16"	USU56.1-2100DB
39 3/4" - 44 1/16"	90 9/16"	USU56.1-2300DB
44 1/2" - 49 3/16"	100"	USU56.1-2540DB

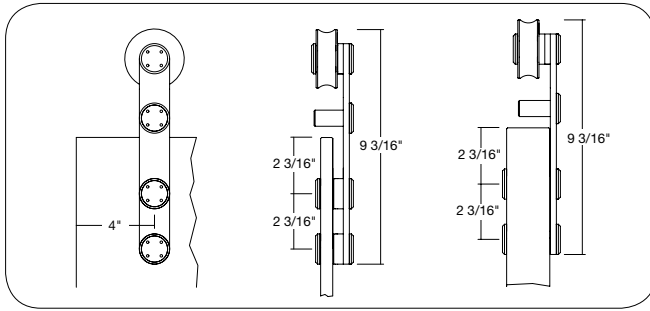
Set for biparting doors

Passage width	Track rail length	Surface
59" - 70 7/8"	144"	satin stainless steel 110.00483
79" - 94 1/2"	192"	110.00484





## Trolleys

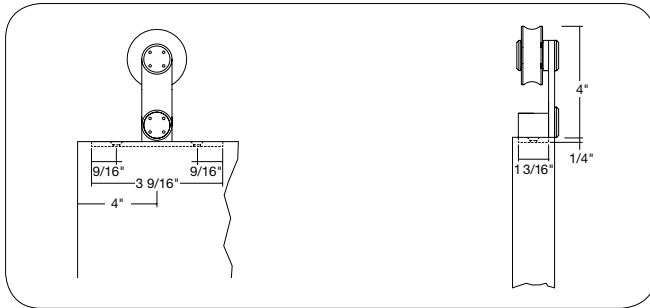


Trolley Flatec I

Art. No.:

USO120DS-EF for glass doors  $t = 5/16'' - 1/2''$   
USO121DS-EF for wooden doors  $t = 1 7/16'' - 1 3/4''$

adjustable height approx.  $\pm 1/8''$   
satin stainless steel (AISI304L)  
maximum door weight 320 lbs (145 kg) per pair  
glass drill holes  $\varnothing 1/2''$   
wood drill holes  $\varnothing 13/32''$

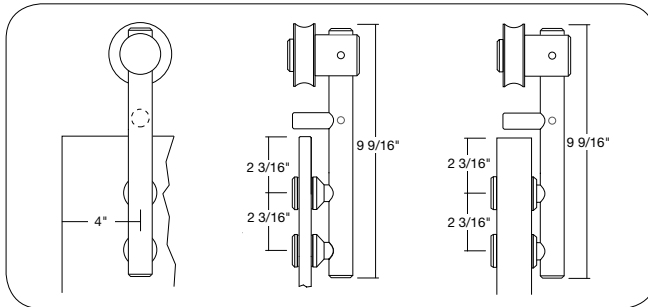


Trolley Flatec II

Art. No.:

USO130DS-EF for wooden doors  $t = 1 7/16'' - 1 3/4''$

without height adjustment  
satin stainless steel (AISI304L)  
maximum door weight 320 lbs (145 kg) per pair

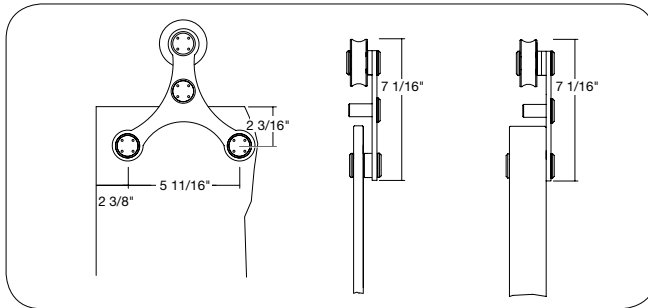


Trolley Unotec Home

Art. No.:

USH100DS-EF for glass doors  $t = 5/16'' - 1/2''$   
USH105DS-EF for wooden doors  $t = 1 7/16'' - 1 3/4''$

without height adjustment  
satin stainless steel (AISI304L)  
maximum door weight 320 lbs (145 kg) per pair  
glass drill holes  $\varnothing 1/2''$   
wood drill holes  $\varnothing 13/32''$

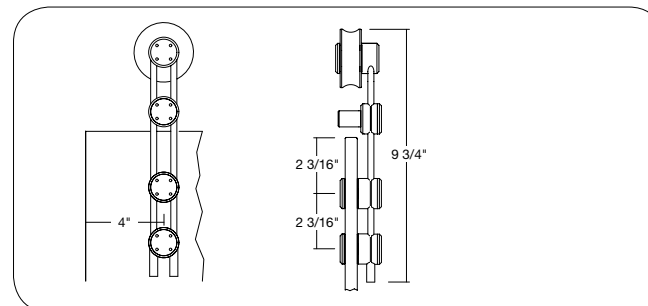


Trolley Tritec

Art. No.:

USO122DS-EF for glass doors  $t = 5/16'' - 1/2''$   
USO123DS-EF for wooden doors  $t = 1 7/16'' - 1 3/4''$

adjustable height approx.  $\pm 1/8''$   
satin stainless steel (AISI304L)  
maximum door weight 320 lbs (145 kg) per pair  
glass drill holes  $\varnothing 1/2''$   
wood drill holes  $\varnothing 13/32''$



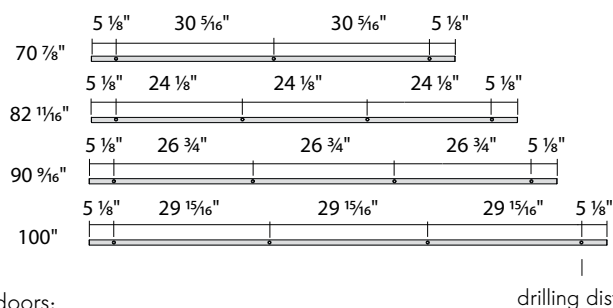
Trolley Duetec

Art. No.:

USO110EF for glass doors  $t = 5/16'' - 1/2''$

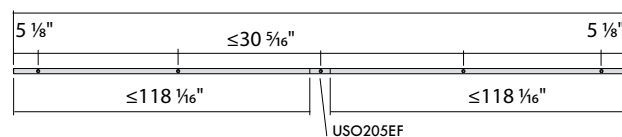
adjustable height approx.  $\pm 1/8''$   
satin stainless steel (AISI 303)  
maximum door weight 132 lbs (60 kg) per pair  
glass drill holes  $\varnothing 1/2''$

# Components for Glass and Wooden Doors



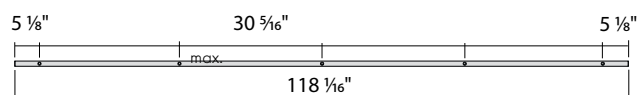
Track rail  $\varnothing$  1", solid, satin stainless steel (AISI 304) one-piece, for single doors:

Art. No.	track rail length	passage width	number of wall mounts
USO200-180EF	70 7/8"	29 1/2" – 35 7/16"	3
USO200-210EF	82 11/16"	35 13/16" – 39 3/8"	4
USO200-230EF	90 9/16"	39 3/4" – 44 1/16"	4
USO200-254EF	100"	44 1/2" – 49 3/16"	4



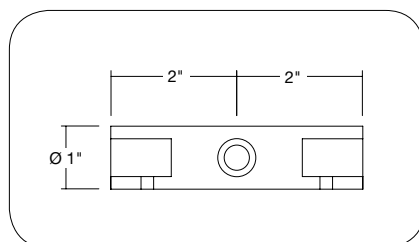
Track rail  $\varnothing$  1", solid, satin stainless steel (AISI 304) two-pieces, with coupling for bi-parting or larger doors:

Art. No.	track rail length	passage width	number of wall mounts
USO200-3000EF-US	118 1/8"	55 1/8" - 59"	5
USO200-3658EF	144"	59" - 70 7/8"	7
USO200-4876EF	192"	78 3/4" - 94 1/2"	9



Track rail  $\varnothing$  1", solid, custom made, two-pieces (or more), with couplings longer than 106":

USO200EF Please note length and drilling distance



Coupling, traversable

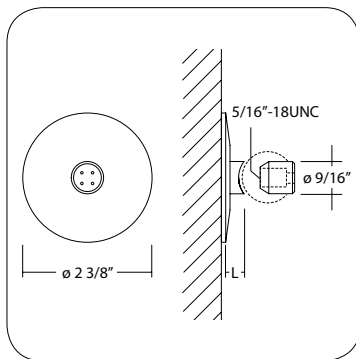
$\varnothing$  1", l = 3 5/16" for track rail USO200EF

Art. No.: Material

USO205EF Satin stainless steel (AISI 303)

order only together with track rail

# Single Components Solid Tracks | for Glass and Wooden Doors



## Wall mount (5/16" - 18UNC)

for glass doors on masonry  
without trim and baseboard

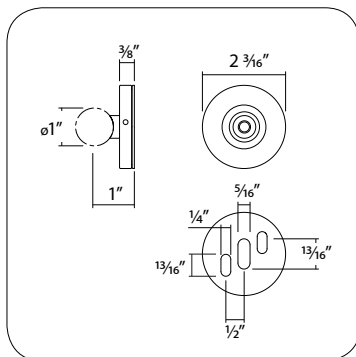
Art. No.: disk  $\varnothing$  2 3/8", distance  $l = 3/16"$

USU210EF fasteners not included

for wooden doors on masonry  
without trim and baseboard

Art. No.: disk  $\varnothing$  2 3/8", distance  $l = 3/4"$   
hanger bolts not included

USU215EF satin stainless steel (AISI 303)

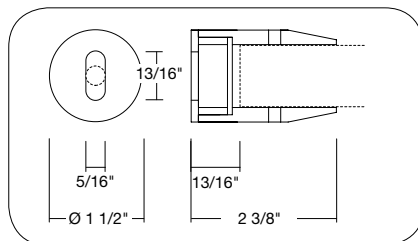


## Wall mount, adjustable

for glass doors on masonry  
for track rail USO200EF, solid  $\varnothing$  1"  
walldisk  $\pm 3/16"$  adjustable in height  
and  $\pm 3/16"$  adjustable in width.  
hanger bolts not included

Art. No.: hook wrench Z932 is necessary

USU310EF (see page 37)

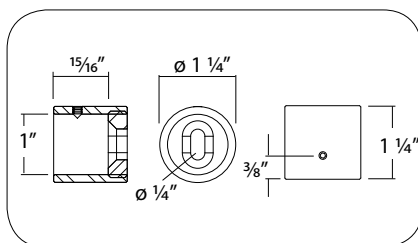


## Wall bracket, end face

attachment point is adjustable  
using elongated hole,  
for track rail USO200EF

Art. No.:

USO240EF satin stainless steel (AISI 303)

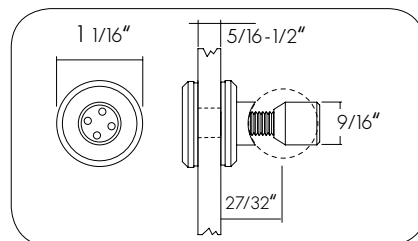


## Wall mount, end face

for track rail (tubular) USO202EF  
attachment point can be adjusted  
using elongated hole, (one piece)

Art. No.:

130.00003 Satin stainless steel (AISI 303)



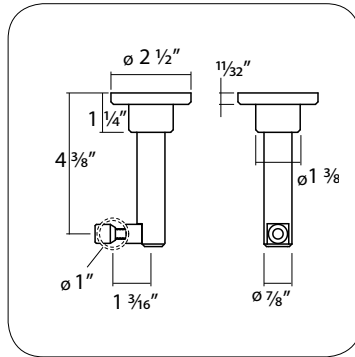
## Glassmounting set

for glass doors  $t = 5/16" - 1/2"$   
Glass drill holes  $\varnothing 9/16" + 1/64"$   
distance  $l = 3/16"$

decorative screw  $\varnothing 1 3/16"$   
for mounting the track rail USO200EF  
onto glass panel, glass protection set

Art. No.:

USO230-G Satin stainless steel (AISI 303)



Ceiling mount

for single track rail USO200EF  
prepared for glass door  $t = 5/16'' - 1/2''$

Art. No.:

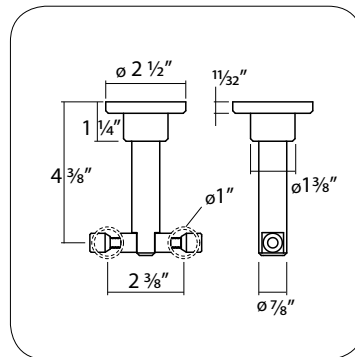
110.00143

Satin stainless steel (AISI 303)

110.00156

Additional kit for wooden doors

$t = 1 \frac{7}{16}'' - 1 \frac{3}{4}''$



Ceiling mount

for double track rails USO200EF  
prepared for glass door  $t = 5/16'' - 1/2''$

Art. No.:

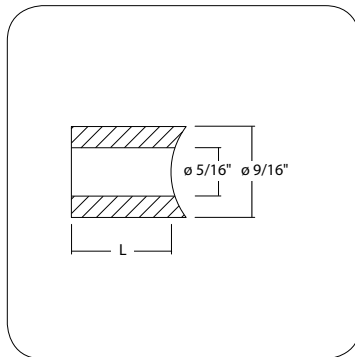
USU349EF

Satin stainless steel (AISI 303)

USU349H-EF

Additional kit for wooden doors

$t = 1 \frac{7}{16}'' - 1 \frac{3}{4}''$



Spacer  $\phi 9/16''$

for glass doors with baseboards and  
trimmings, distance  $l = 3/4''$

Art. No.:

USO226-19EF Satin stainless steel (AISI 303) or

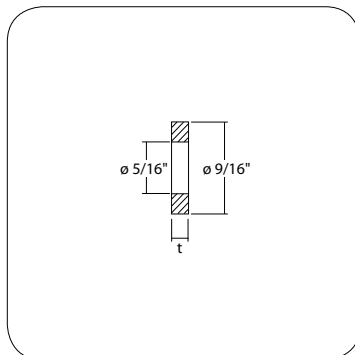
USO226-19DB Satin stainless steel, dark bronze powdered

for wooden doors with baseboards and  
trimmings, distance  $l = 1 \frac{5}{16}''$

Art. No.:

USO226-33EF Satin stainless steel (AISI 303) or

USO226-33DB Satin stainless steel, dark bronze powdered



Spacer disc  $\phi 9/16''$

to compensate wall unevenness,  
only one piece per wall mount

Satin stainless steel (AISI 303), solid

Art. No.:

USO216-2EF thickness  $t = 1/16''$

USO216-5EF thickness  $t = 3/16''$

USO216-10EF thickness  $t = 3/8''$

Satin stainless steel, dark bronze powdered

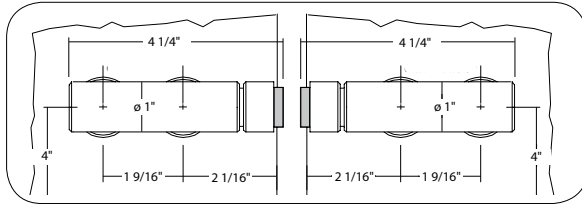
Art. No.:

USO216-2DB thickness  $t = 1/16''$

USO216-5DB thickness  $t = 3/16''$

USO216-10DB thickness  $t = 3/8''$

Single Components Solid Track | for Glass and Wooden Doors

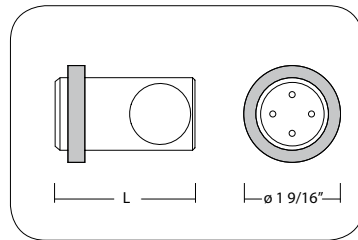


Double Door stopper set

1 pair for for biparting panels,  $\varnothing$  1"  
 stopper adjustable  
 glass drill holes  $\varnothing$  1/2" + 1/64"

Art. No.:

USO255EF satin stainless steel (AISI 303), rubber



Door stopper

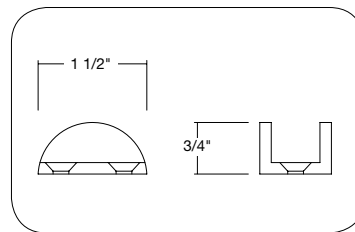
rubber, satin stainless steel (AISI 303)  
 for Unotec Home/Object

Art. No.:

USO250EF  $\varnothing$  1 3/16" mm, length l = 2 1/4"  
 for Flatec, Duetec, Tritec

Art. No.:

USO251EF  $\varnothing$  1 3/16", length l = 1 3/4"

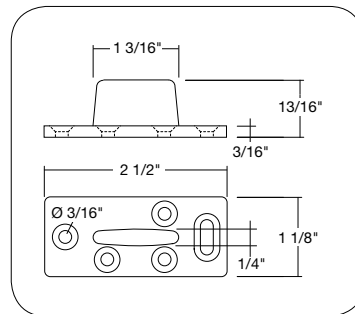


Bottom guide for glass doors

for a door panel thickness  $t = 5/16" - 1/2"$   
 with felt insert

Art. No.:

USO260EF satin stainless steel (AISI 304)

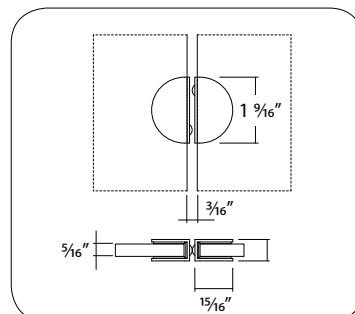


Bottom guide for wooden door panels

panel channel for bottom guides 5/16" x 11/16"  
 for door panel thickness  $t$  up to 13/4"

Art. No.:

USH268K plastic



Door stopper set

1 pair for biparting glass panels  
 to be placed on the glass edges

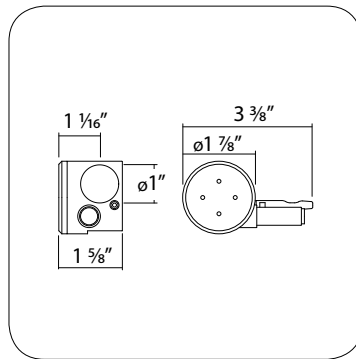
Art. No.: GS

110.00286EF for glass thickness 1/2"

110.00287EF for glass thickness 3/8"

# Single Components Solid Track | for Glass and Wooden Doors

Our trolleys are characterised by their particularly smooth and safe movement, which corresponds with the specific norms. The special stoppers match any door fitting. One of our own patented developments is the Soft-Tec damper. It combines a damping effect when opening the door with a stopping aid. The system can be used in the initial assembly and for retrofitting.



The system is available for the trolley systems:  
 glass doors: Flatec I, Unotec Home, Tritec  
 wooden doors: Flatec I, Flatec II, Unotec Home, Tritec.

Pair of Soft-Tec damper stops  
 door weight 66 - 132 lbs (30-60 kg)  
 satin stainless steel (AISI304L)

Soft-Tec damper set for Unotec Home, Tritec  
 Art. No.:

USO290EF,

Soft-Tec damper set for Flatec 1 and 2

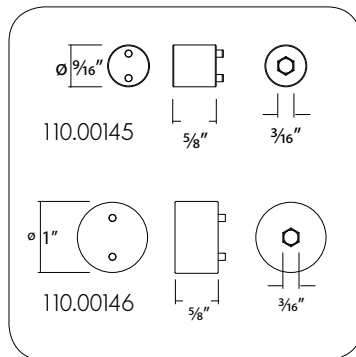
Art. No.:

110.00192

Replacement damper for door weight

Art. No.:

110.00191 33 - 66 lbs (15-30 kg)



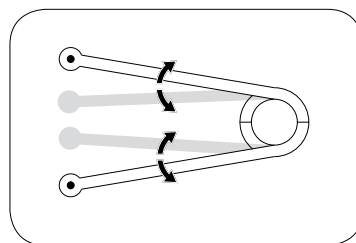
Assembly aid

Art. No.:

110.00145 snap-on for hexagon  
 to suit 4 hole wall brackets

Art. No.:

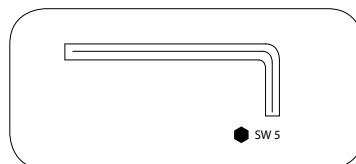
110.00146 spanner head for hexagon  
 to suit 4 hole screws on runners



Calliper face spanner S  
 for mounting decorative caps  
 and 4 hole screws (adjustable)

Art. No.:

Z923



Hexagon Key SW5

for mounting decorative caps and screws  
 with internal hexagon

Art. No.:

Z926



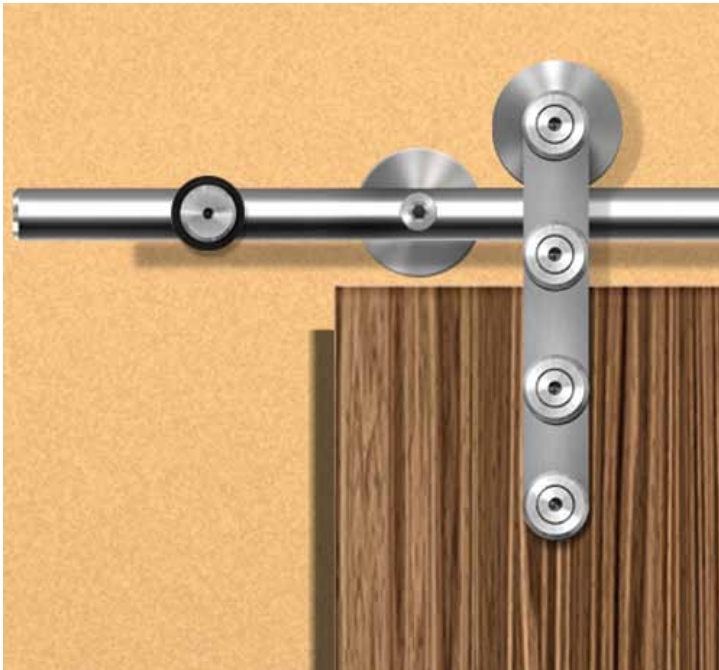
Hookwrench

Art. No.:

Z931 for wall/glass brackets  $\varnothing 1 3/4''$   
 Z932 for wall/glass brackets  $\varnothing 2 3/16''$   
 Z924 for Flatec glass connector



# Barn Door Hardware Flatec IV | for Wooden Doors



## Features:

- Application for hospitality and building offices
- Single and biparting door sets
- Anti-jump device
- Made from stainless steel (AISI304L),
- Heavy duty polymer roller,
- Finish options: satin + polished stainless steel, stainless steel black powdered

## Benefits:

- ANSI/BHMA A156.14-2013 tested and certified grade 1 Intertek certification
- Door thickness: 1 7/16" - 1 3/4"
- Initial friction < 10 NM
- Maximum door weight: 320 lbs (145 kg)
- Height adjustment  $\pm 1/64"$

## Single door set includes:

- 1 track rail
- 2 trolleys
- 3 (4) wall mounts
- 1 door bottom guide
- 2 door stoppers
- hanger bolts

## Biparting door set includes:

- 2 track rails + connector
- 4 trolleys
- 8 (10) wall mounts
- 4 Doorstoppers
- 2 door bottom guides
- hanger bolts

## Optional:

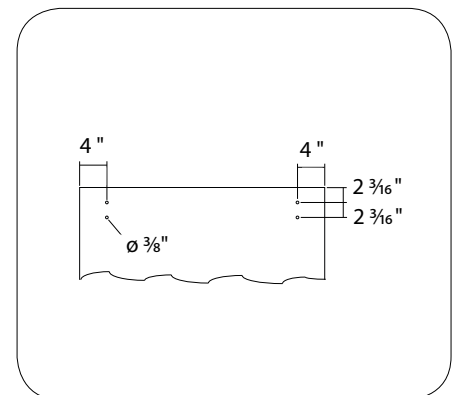
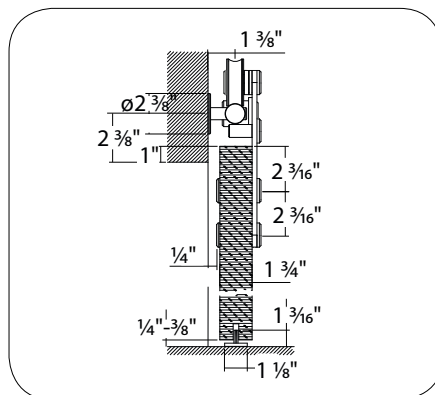
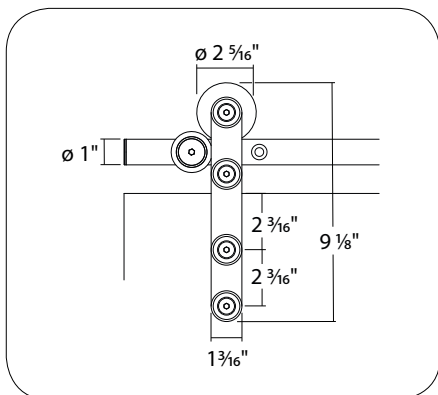
- Softstop Soft-Tec see page 37 / 48
- Distances for baseboards and trimmings see page 35
- Additional parts like adjustable wall mounts see page 34

Set numbers for single wooden panels

Passage width	Track rail length	Surface		
		satin	polished	black powdered
29 1/2" - 35 7/16"	70 7/8"	USU95-1800EF	USU95-1800EP	110.00511
35 13/16" - 39 3/8"	82 11/16"	USU95-2100EF	USU95-2100EP	110.00512
39 3/4" - 44 1/16"	90 9/16"	USU95-2300EF	USU95-2300EP	110.00513
44 1/2" - 49 3/16"	100"	USU95-2540EF	USU95-2540EP	110.00514

Set for biparting doors

Passage width	Track rail length	Surface		
		satin	polished	black powdered
59" - 70 7/8"	144"	110.00493	110.00495	110.00497
79" - 94 1/2"	192"	110.00494	110.00496	110.00498



# Barn Door Hardware Flatec VI | for Wooden Doors



## Features:

- Application for hospitality and building offices
- Single and biparting door sets
- Anti-jump device
- Made from stainless steel (AISI304L),
- Heavy duty polymer roller,
- Finish options: satin + polished stainless steel, stainless steel black powdered

## Benefits:

- ANSI/BHMA A156.14-2013 tested and certified grade 1 Intertek certification
- Door thickness: 1 7/16" - 1 3/4"
- Initial friction < 10 NM
- Maximum door weight: 320 lbs (145 kg)

## Single door set includes:

- 1 track rail
- 2 trolleys
- 3 (4) wall mounts
- 1 door bottom guide
- 2 door stoppers
- hanger bolts

## Biparting door set includes:

- 2 track rails + connector
- 4 trolleys
- 8 (10) wall mounts
- 4 Doorstoppers
- 2 door bottom guides
- hanger bolts

## Optional:

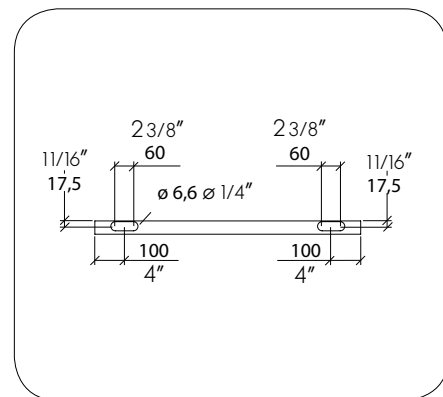
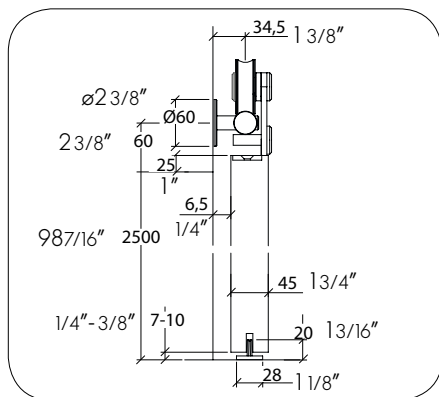
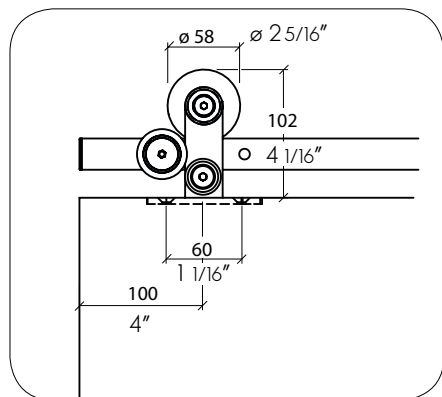
- Softstop Soft-Tec see page 37 / 48
- Distances for baseboards and trimmings see page 35
- Additional parts like adjustable wall mounts see page 34

### Set numbers for single wooden panel

Passage width	Track rail length	Surface	
		satin stainl. steel	steel, black powdered
29 1/2" - 35 7/16"	70 7/8"	<b>110.00526</b>	110.00376
35 13/16" - 39 3/8"	82 11/16"	<b>110.00527</b>	110.00377
39 3/4" - 44 1/16"	90 9/16"	<b>110.00528</b>	---
44 1/2" - 49 3/16"	100"	<b>110.00529</b>	110.00378

### Set for biparting doors

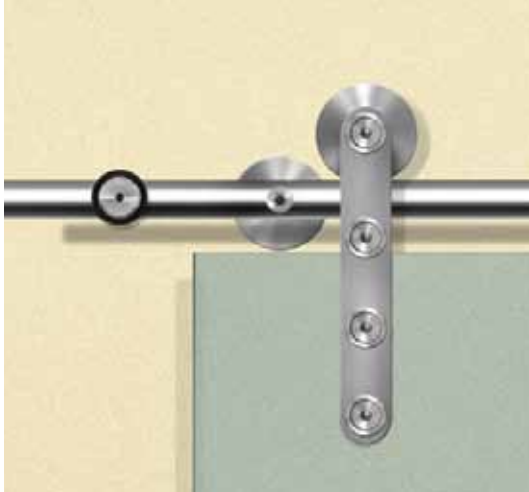
Passage width	Track rail length	Surface	
		satin stainl. steel	Steel, black powdered
59" - 70 7/8"	144"	110.00499	110.00503
79" - 94 1/2"	192"	110.00450	110.00504



## Examples for Biparting Doors



# Barn Door Hardware Project | for Glass Doors



### Features:

- Application for hospitality and building offices
- Single and biparting door sets
- Anti-jump device
- w/o height adjustment
- Made from stainless steel (AISI304L),
- Heavy duty polymer roller,
- Finish options: satin stainless steel

### Benefits:

- ANSI/BHMA A156.14-2013 tested and certified grade 1
- Intertek certification
- Door thickness: 5/16" – 1/2"
- Initial friction < 10 NM
- Maximum door weight: 320 lbs (145 kg)

### Single door set includes:

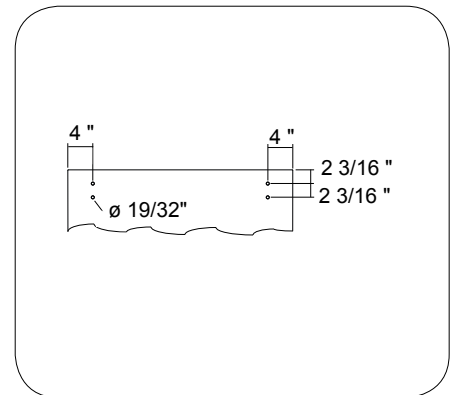
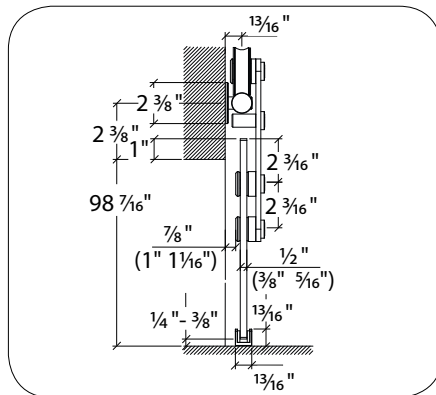
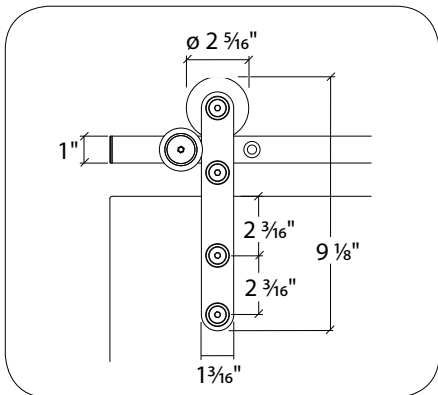
- 1 track rail
- 2 trolleys
- 3 (4) wall mounts
- 1 door bottom guide
- 2 Doorstoppers
- hanger bolts

### Optional:

- Distances for baseboards and trimmings see page 35
- Additional parts like adjustable wall mounts see page 34

Set numbers for single wooden panel

Passage width	Track rail length	Surface
29 1/2" – 35 7/16"	70 7/8"	USU97-1800EF
35 13/16" – 39 3/8"	82 11/16"	USU97-2100EF
39 3/4" – 44 1/16"	90 9/16"	USU97-2300EF
44 1/2" – 49 3/16"	100"	USU97-2540EF



# Barn Door Hardware Project | for Wooden Doors



## Features:

- Application for hospitality and building offices
- Single and biparting door sets
- Anti-jump device
- w/o height adjustment
- Made from stainless steel (AISI304L),
- Heavy duty polymer roller,
- Finish options: satin stainless steel

## Benefits:

- ANSI/BHMA A156.14-2013 tested and certified grade 1
- Intertek certification
- Door thickness: 1 7/16" - 1 3/4"
- Initial friction < 10 NM
- Maximum door weight: 320 lbs (145 kg)

## Single door set includes:

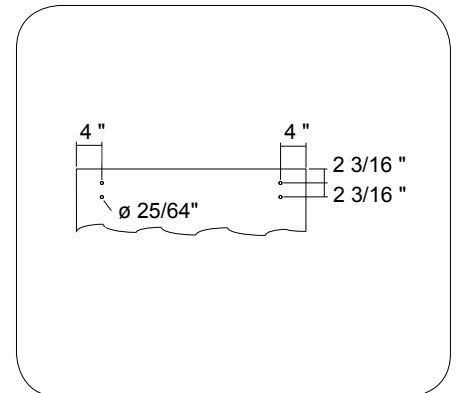
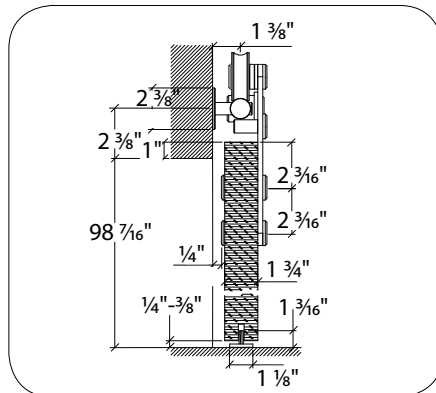
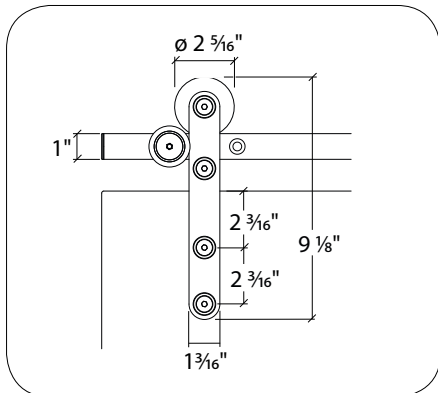
- 1 track rail
- 2 trolleys
- 3 (4) wall mounts
- 1 door bottom guide
- 2 door stoppers
- hanger bolts

## Optional:

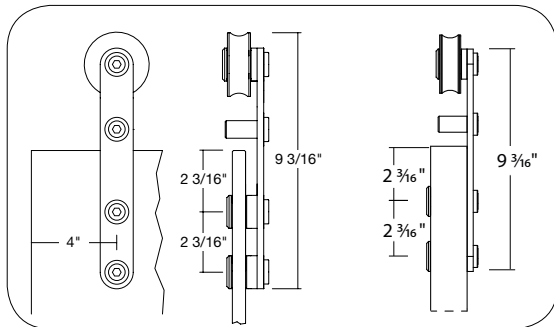
- Distances for baseboards and trimmings see page 35
- Additional parts like adjustable wall mounts see page 34

Set numbers for single glass panel

Passage width	Track rail length	Surface
29 1/2" - 35 7/16"	70 7/8"	USU98-1800EF
35 13/16" - 39 3/8"	82 11/16"	USU98-2100EF
39 3/4" - 44 1/16"	90 9/16"	USU98-2300EF
44 1/2" - 49 3/16"	100"	USU98-2540EF



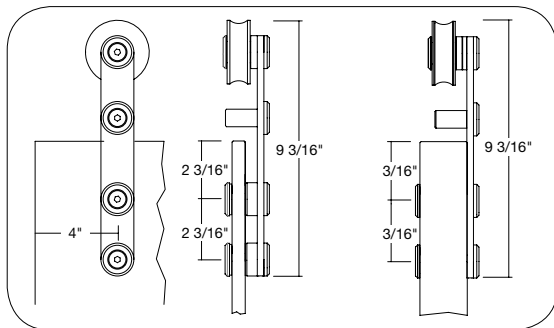
## Trolleys



### Trolley Project

Art. No.:

USO124EF for glass doors  $t = 5/16'' - 1/2''$   
 USO125EF for wooden doors  $t = 1 7/16'' - 1 3/4''$   
 no height adjustment,  
 satin stainless steel (AISI304L)  
 maximum door weight 320 lbs (145 kg) (per pair)  
 glass drill holes  $\varnothing 1/2'' + 1/64''$   
 wood drill holes  $\varnothing 3/8'' + 1/64''$



### Trolley Flatec IV

satin stainless steel (AISI304L)

Art. No.:

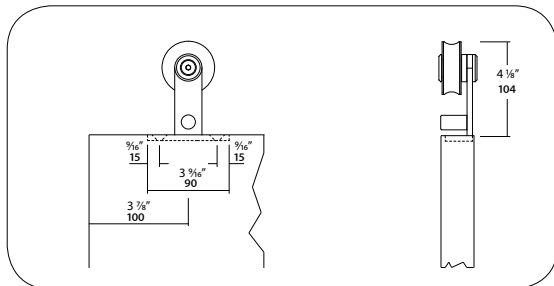
USO127EF for glass doors  $t = 5/16'' - 1/2''$   
 USO128EF for wooden doors  $t = 1 7/16'' - 1 3/4''$

Polished stainless steel:

Art. No.:

USO127EP for glass doors  $t = 5/16'' - 1/2''$   
 USO128EP for wooden doors  $t = 1 7/16'' - 1 3/4''$

adjustable height approx.  $\pm 1/64''$   
 maximum door weight 320 lbs (145 kg) (per pair)  
 glass drill holes  $\varnothing 1/2'' + 1/64''$   
 wood drill holes  $\varnothing 3/8'' + 1/64''$

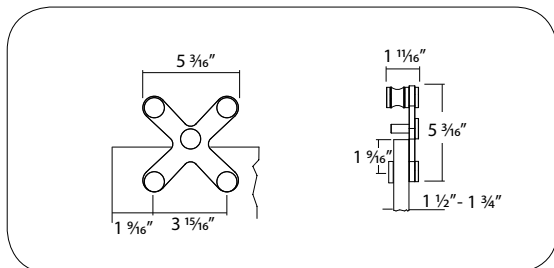


### Trolley Flatec V

Art. No.:

USO132DS-EF for wooden doors  $t = 1 7/16'' - 1 3/4''$

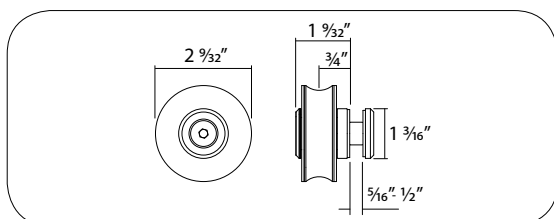
satin stainless steel (AISI304L)  
 maximum door weight 320 lbs (145 kg) (per pair)  
 glass drill holes  $\varnothing 1/2'' + 1/64''$   
 wood drill holes  $\varnothing 3/8'' + 1/64''$



### Trolley Torole

Art. No.:

USO321EF for wooden doors  $t = 1 7/16'' - 1 3/4''$   
 adjustable height approx.  $\pm 1/64''$   
 satin stainless steel (AISI304L)  
 maximum door weight 132 lbs (60 kg) (per pair)  
 wood drill holes  $\varnothing 3/8'' + 1/64''$



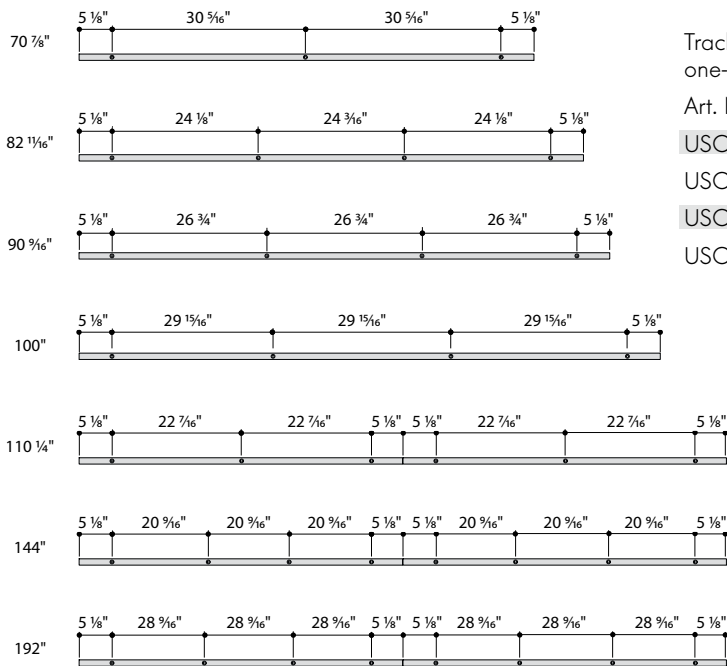
### Trolley, usage by pairs

track rail: top wheel / bottom  
 top: roller bottom: anti-lift device

Art. No.:

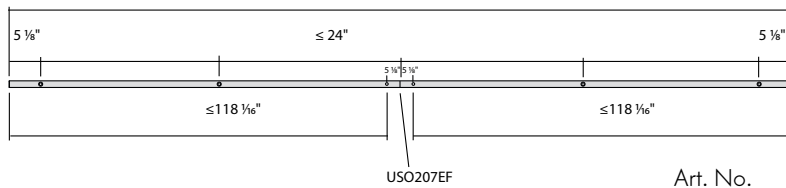
USO322EF for glass doors  $5/16'' - 1/2''$   
 satin stainless steel (AISI304L)  
 maximum door weight 220 lbs (100 kg) (per pair)  
 glass drill holes  $\varnothing 1/2'' + 1/64''$

## Track rail (hollow)



Track rail  $\varnothing$  1", hollow, satin stainless steel (AISI 304)  
one-piece, for single doors:

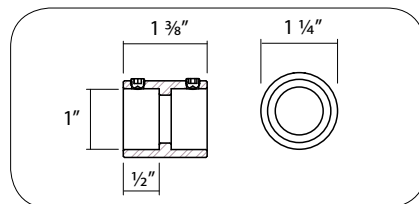
Art. No.	track rail length	passage width	number of wall mounts
USO202-180EF	70 7/8"	2' 5 17/32" – 2' 11 7/16"	4
USO202-210EF	82 11/16"	2' 11 15/32" – 3' 3 3/8"	4
USO202-230EF	90 9/16"	3' 3 13/32" – 3' 8 3/32"	5
USO202-254EF	100"	3' 8 9/64" – 4' 1 7/32"	5



Track rail  $\varnothing$  1", hollow, satin stainless steel (AISI 304)  
two-piece, with coupling for biparting or larger doors:

Art. No.	track rail length	passage width	number of wall mounts
USO202-3000EF-US	118 1/8"	55 1/8" – 59"	8
USO202-3658EF	144 3/16"	59" – 70 7/8"	8
USO202-4876EF	191 15/16"	78 3/4" – 94 1/2"	10

## Coupling

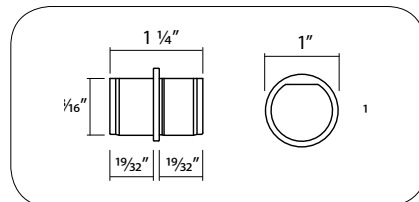


Coupling  $\varnothing$  1 1/4"

Art. No.:

USO206EF for track rail (tubular) USO202EF

non-traversable  
satin stainless steel (AISI 303)

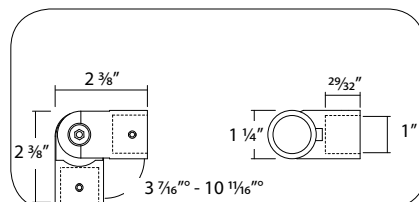


Coupling

Art. No.:

USO207EF for track rail (tubular) USO202EF

traversable  
satin stainless steel (AISI 303)



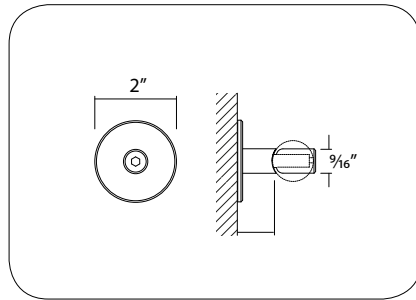
Angle coupling, flexible,  $\varnothing$  1 1/4"

Art. No.:

USO308EF angle adjustment 90° to 270°, l = 23/8"

for track rail (tubular) USO202EF,  $\varnothing$  1"  
non-traversable  
satin stainless steel (AISI 303)

## Wall Mount



Wall mount for glass doors on masonry

Art. No.:

USU228EF without baseboards and trimmings

disk  $\varnothing = 2''$ , distance  $l = 3/16''$

fasteners not included

satin stainless steel (AISI 303)

Wall mount for wooden doors on masonry

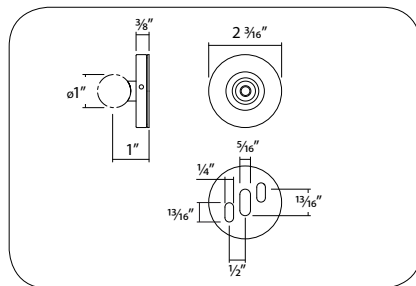
Art. No.:

USU227EF without baseboards and trimmings

disk  $\varnothing = 2''$ , distance  $l = 3/4''$

fasteners not included

satin stainless steel (AISI 303)



Wall mount, adjustable

Art. No.:

USU328EF for glass door panel  $t = 5/16'' - 1/2''$

USU329EF for wooden door panel  $t = 1 7/16'' - 1 3/4''$

for track rail (tubular)  $\varnothing 1''$

wall disk  $\pm 3/16''$  adjustable in height

and  $\pm 3/16''$  adjustable in width

hook wrench Z932 is necessary - please order separately

satin stainless steel (AISI 303)

fasteners not included

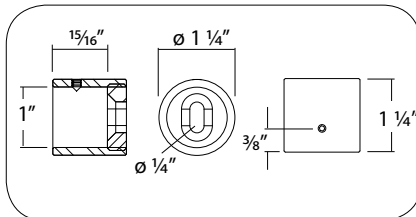
Wall mount, end face

for track rail (tubular) USO202EF

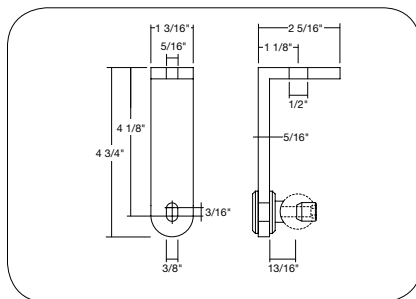
attachment point can be adjusted using elongated hole

Art. No.: Satin stainless steel (AISI 303)

130.00003 (one piece)



## Ceiling Mount



Ceiling mount

Art. No.:

USO248-202EF for single track rail (tubular) USO202EF

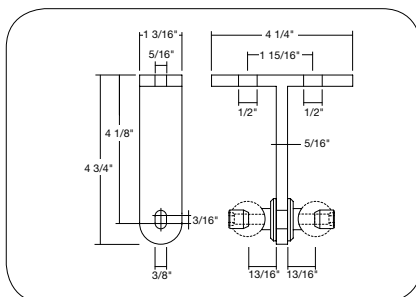
attachment point can be adjusted using elongated hole

prepared for glass door  $t = 5/16'' - 1/2''$

satin stainless steel (AISI304L)

USO248 -H = additional kit for wooden doors

( $t = 1 7/16'' - 1 3/4''$ )



Ceiling mount

Art. No.:

USO249-202EF for by-passing rails (tubular) USO202EF

attachment point can be adjusted

using elongated hole

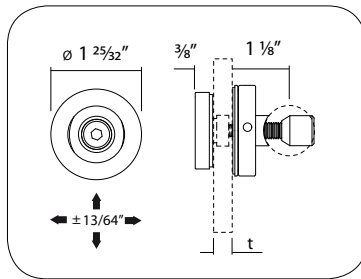
prepared for glass door  $t = 5/16'' - 1/2''$

satin stainless steel (AISI304L)

USO249 -H = additional kit for wooden doors

( $t = 1 7/16'' - 1 3/4''$ )

## Wall Mount



Glass mount set,  $\varnothing 45$  mm  
adjustable

Art. No.:

110.00149 for track rail (tubular) USO202EF

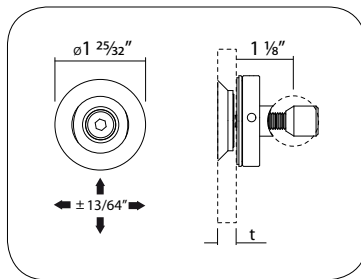
height and side adjustable ( $\pm 3/16$ "

for glass doors  $t = 5/16$ " -  $1/2$ "

satin stainless steel (AISI 303)

glass drill holes:  $\varnothing = 11/16$ "

hook wrench Z931 is necessary (see page 37)



Glass mount set, adjustable  
countersunk,  $\varnothing 13/4$ "

Art. No.:

110.00150 for track rail (tubular) USO202EF

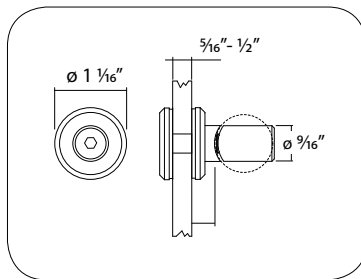
height and side adjustable ( $\pm 3/16$ "

for glass doors  $t = 5/16$ " -  $1/2$ "

satin stainless steel (AISI 303)

glass drill holes  $\varnothing 30 / 5 \times 45^\circ$

hook wrench Z931 is necessary (see page 37)



Glass mount set,  $\varnothing 13/16$ "  
non-adjustable

Art. No.:

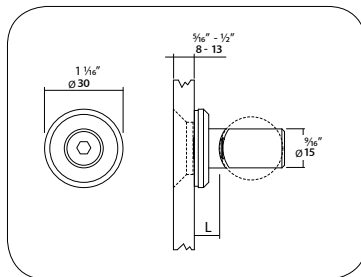
USO229EF for track rail (tubular) USO202EF

including glass protection set

for glass doors  $t = 5/16$ " -  $1/2$ "

satin stainless steel (AISI 303)

glass drill holes  $\varnothing 5/8$ "



Glass mount set,  $\varnothing 13/16$ "  
non adjustable, countersunk

Art. No.:

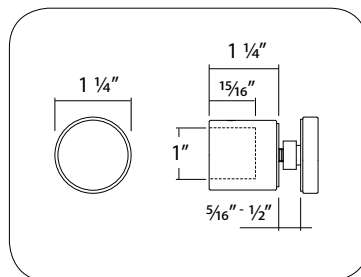
110.00152 for track rail (tubular) USO202EF

including glass protection set,

for glass doors  $t = 5/16$ " -  $1/2$ ",

satin stainless steel (AISI 303)

glass drill holes  $\varnothing 25/32$ " /  $3/16 \times 45^\circ$



Glass mount, end face

Art. No.:

110.00190 for track rail (tubular) USO202EF

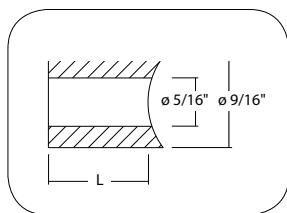
attachment point can be adjusted

using elongated hole,

satin stainless steel (AISI 303)

glass drill holes  $\varnothing 36/64$ "

## Spacer



### Spacer $\varnothing$ 9/16"

Art. No.: for glass doors with baseboards and trimmings, distance  $l = 3/4"$

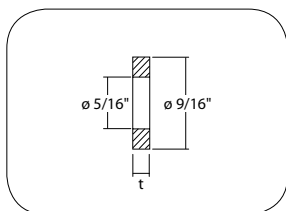
USO226-19EF satin stainless steel (AISI 303) or

Art. No.: for wooden doors with baseboards and trimmings, distance  $l = 1\ 5/16"$

USO226-33EF satin stainless steel (AISI 303) or

### Spacer disc $\varnothing$ 9/16"

to compensate wall unevenness, only one piece per wall mount



Satin stainless steel

(AISI 303), solid

USO216-2EF thickness  $t = 1/16"$

USO216-5EF thickness  $t = 3/16"$

USO216-10EF thickness  $t = 3/8"$

Satin stainless steel, dark bronze powdered

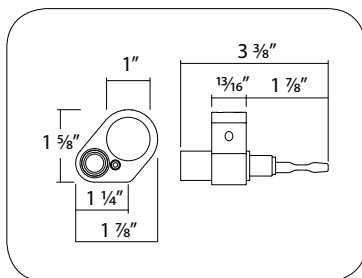
USO216-2DB thickness  $t = 1/16"$

USO216-5DB thickness  $t = 3/16"$

USO216-10DB thickness  $t = 3/8"$

## Door dampener

These simple soft stop dampers unite the functions of a damping effect when opening the door and a stopping aid. This system is suitable for initial set-up and for retrofitting.



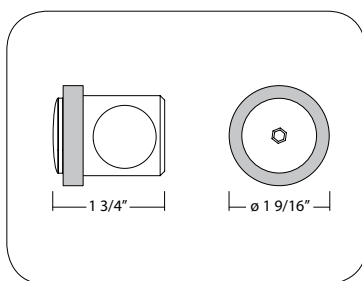
### Softstop damper for Trolleys Flatec IV / VI

damping of the door impact with stopping aid aluminum/satin stainless steel (AISI 303), rubber buffer

Art. No.:

110.00158 maximum door weight 154 lbs (70 kg)

110.00159 maximum door weight 75 lbs (34 kg)

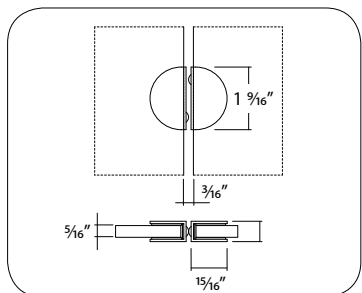


### Door stopper for Flatec IV / V

satin stainless steel (AISI 303) / rubber

Art. No.:

USO256EF  $l = 1\ 3/4"$



### Door stopper set

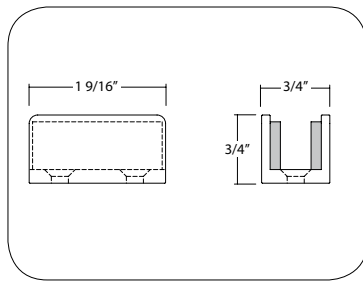
1 pair for biparting glass panels to be placed on the glass edges

Art. No.: GS

110.00286EF for glass thickness  $1/2"$

110.00287EF for glass thickness  $3/8"$

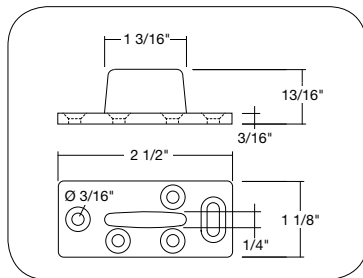
# Door Guides | Bottom- and Wall Mounted



Bottom guide for glass door panels

Art. No.:

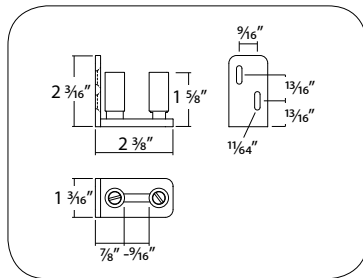
USO261EF for door panel thickness  $t = 5/16'' - 1/2''$   
with felt insert  
satin stainless steel (AISI 304)



Bottom guide for wooden door panels

Art. No.:

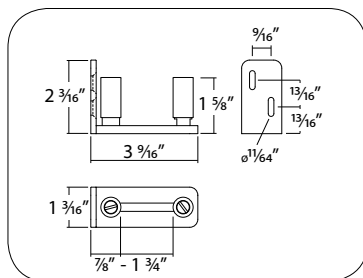
USH268K for door panel thickness  $t$  up to  $13/4''$   
panel channel for bottom guides  $5/16'' \times 11/16''$   
plastic



Door guide, wall mounted

Art. No.:

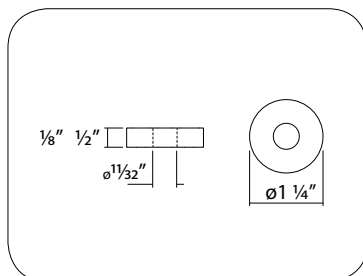
110.00105 for door panel thickness  $t$  up to  $13/4''$   
door guide for glass doors  $t = 5/16'' - 1/2''$ ,  
which mounts to wall above ground surface  
extension:  $2 23/64''$   
height adjustable  $\pm 13/64''$   
satin stainless steel (AISI304L) / plastic



Door guide wall mounted

Art. No.:

110.00106 for door panel thickness  $t$  up to  $13/4''$   
door guide for wooden doors  $t = 1 7/16'' - 1 3/4''$ ,  
which mounts to wall, above ground surface  
extension:  $3 35/64''$   
height adjustable  $\pm 13/64''$   
satin stainless steel (AISI304L) / plastic



Spacer disk-set for drywall

Art. No.:

USU241K thickness:  $1/2'' / 1/8''$   
for use with applications on drywall  
to prevent settling and provide additional support  
at the attachment points: use spacer disk-set  
drill hole in drywall with  $\varnothing 2 3/16'' - 2 1/8''$   
plastic

# Base Bottom Roller systems



Base Bottom Roller Silent Glam – biparting with door handle Impero



Full Moon



Deeply Move



Belans

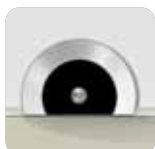


Silent Glam

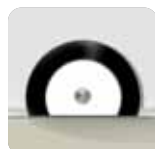
You have many design options and choice of colors for inlays with our Silent Glam bottom roller. Choose from various materials for your very own personal design to match your interior. See page 56



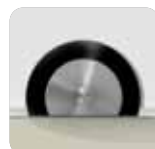
Basic version



Color option 1



Color option 2



Color option 3



Customized design



Customized design

# Set Silent Glam | for Glass- and Wooden Doors



Set numbers for glass panels			
		Surface	
Passage width	profile length	satin stainl. steel	
29 1/2" - 35 7/16"	74 3/16"	112.00120	
35 13/16" - 39 3/8"	82 11/16"	112.00121	
39 3/4" - 44 1/16"	92 1/2"	112.00122	
44 1/2" - 49 3/16"	102 3/8"	112.00123	



Set numbers for wooden panels			
		Surface	
Passage width	profile length	satin stainl. steel	
29 1/2" - 35 7/16"	74 3/16"	112.00124	
35 13/16" - 39 3/8"	82 11/16"	112.00125	
39 3/4" - 44 1/16"	92 1/2"	112.00126	
44 1/2" - 49 3/16"	102 3/8"	112.00127	

## Features:

Single Door Sets

For walls w/o enough carrying capacity

Patented continuous height adjustment

Material: bottom rail + rollers, stainless steel (AISI-304L)

Ceiling guiderail aluminium (stainless steel optical)

Finish options: satin stainless steel

## Benefits:

ANSI/BHMA A156.14-2013 tested and certified Grade 1

Glass door thickness: 5/16" - 1/2"

Wooden door thickness: 1 1/2"-1 3/4"

Adjustable height + 1/4"

Initial friction < 10 NM

Maximum door weight: 330 lbs (145 kg)

Design varieties through assortment of diverse cover plates

## Single door set includes:

1 bottom rail, undrilled for glueing

1 ceiling guiderail

2 base bottom rollers

2 doorstoppers

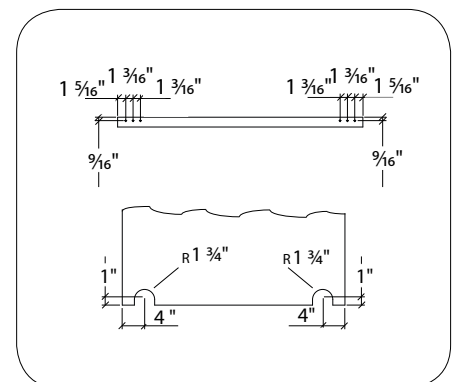
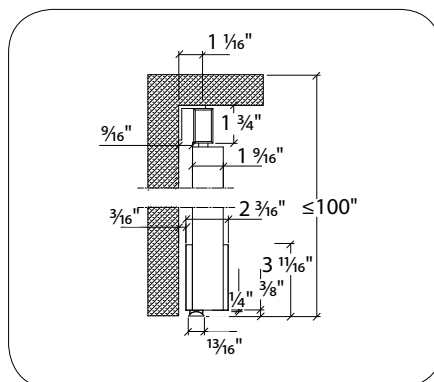
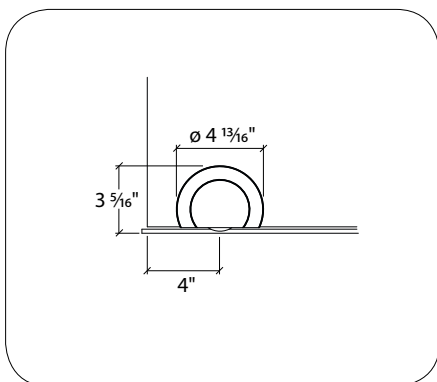
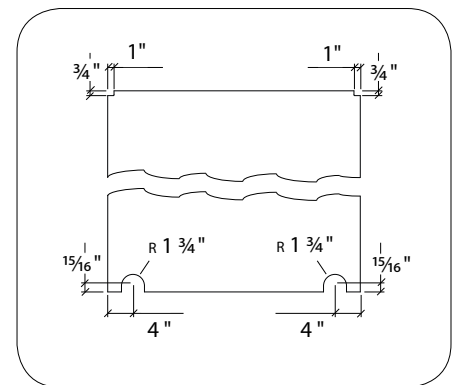
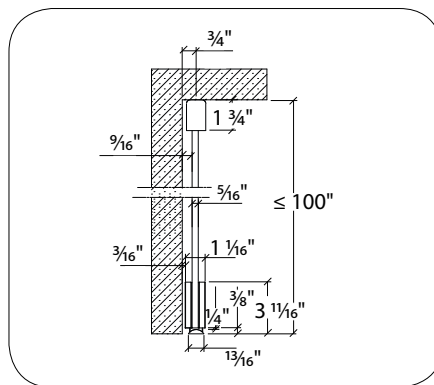
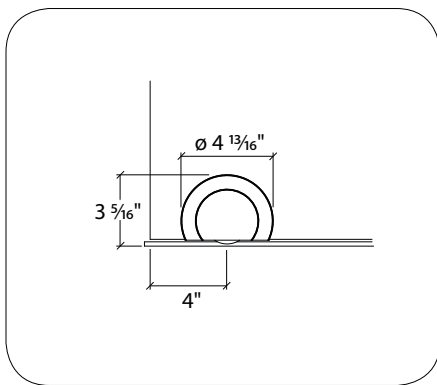
installation screws

## Optional:

Wall mount for guide rail: see page 55

Soft-close + brush seal during use of the rail

Comfortline: see page 58



# Set Belans | for Glass- and Wooden Doors



Set numbers for glass panels			
		Surface	
Passage width	profile length	satin stainl. steel	
29 1/2" - 35 7/16"	74 3/16"	112.00128	
35 13/16" - 39 3/8"	82 11/16"	112.00129	
39 3/4" - 44 1/16"	92 1/2"	112.00130	
44 1/2" - 49 3/16"	102 3/8"	112.00131	



Set numbers for wooden panels			
		Surface	
Passage width	profile length	satin stainl. steel	
29 1/2" - 35 7/16"	74 3/16"	112.00132	
35 13/16" - 39 3/8"	82 11/16"	112.00133	
39 3/4" - 44 1/16"	92 1/2"	112.00134	
44 1/2" - 49 3/16"	102 3/8"	112.00135	

## Features:

Single Door Sets  
 For walls w/o enough carrying capacity  
 Material: bottom rail + rollers, stainless steel (AISI-304L)  
 Ceiling guiderail aluminium (stainless steel optic)  
 Finish options: satin stainless steel

## Benefits:

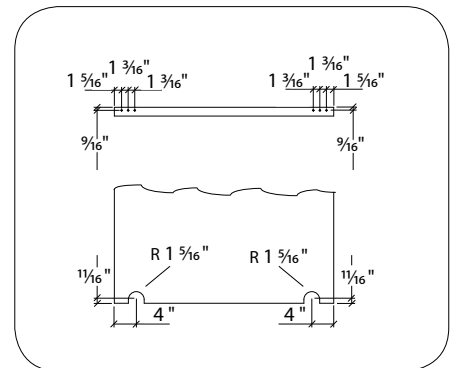
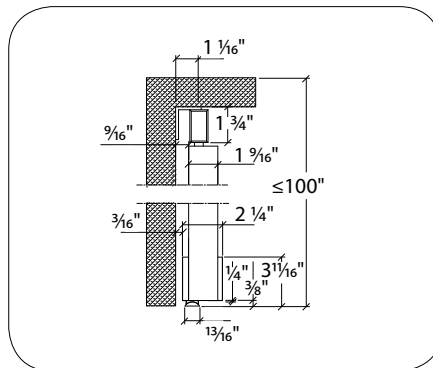
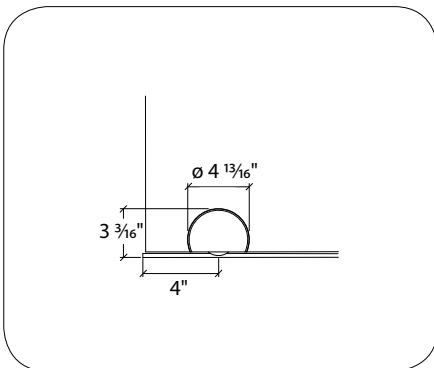
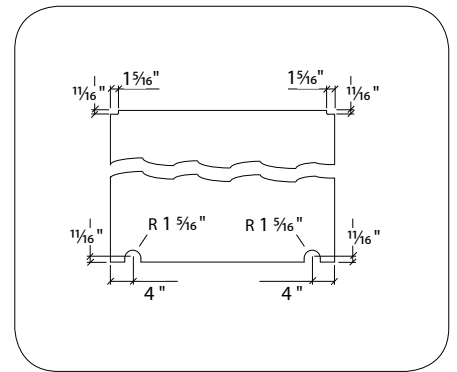
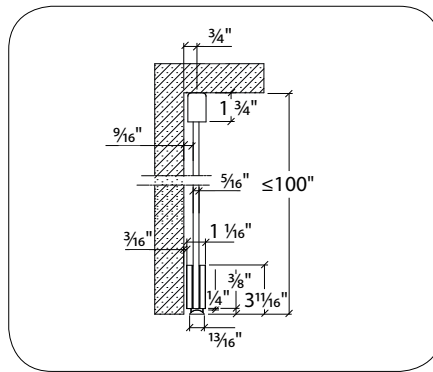
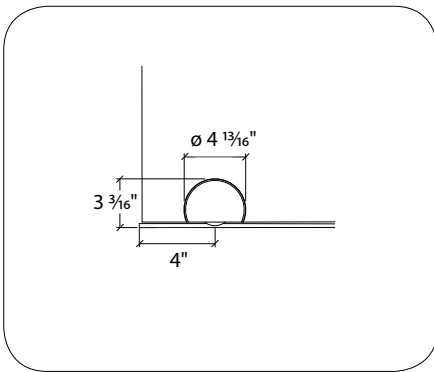
ANSI/BHMA A156.14-2013 tested and certified Grade 1  
 Glass door thickness: 5/16" - 1/2"  
 Wood door thickness: 1 1/2" - 1 3/4"  
 Adjustable height + 3/64" / 5/64" / 1/8"  
 Initial friction < 10 NM  
 Maximum door weight: 330 lbs (145 kg)

## Single door set includes:

- 1 bottom rail undrilled for glueing
- 1 ceiling guiderail
- 2 base bottom rollers
- 2 doorstoppers
- installation screws

## Optional:

Wall mount for Guide Rail see page 55  
 Softclose + brush seal during use of the rail  
 Comfortline: see page 58



# Set Deeply Move | for Glass- and Wooden Doors



Set numbers for glass panels

		Surface	
Passage width	profile length	satin stainl. steel	
29 1/2" - 35 7/16"	74 3/16"	112.00136	
35 13/16" - 39 3/8"	82 11/16"	112.00137	
39 3/4" - 44 1/16"	92 1/2"	112.00138	
44 1/2" - 49 3/16"	102 3/8"	112.00139	



Set numbers for wooden panels

		Surface	
Passage width	profile length	satin stainl. steel	
29 1/2" - 35 7/16"	74 3/16"	112.00140	
35 13/16" - 39 3/8"	82 11/16"	112.00141	
39 3/4" - 44 1/16"	92 1/2"	112.00141	
44 1/2" - 49 3/16"	102 3/8"	112.00143	

## Features:

- Single Door Sets
- For walls w/o enough carrying capacity
- Material: bottom rail + rollers, stainless steel (AISI-304L)
- Ceiling guiderail aluminium (stainless steel optical)
- Finish options: satin stainless steel

## Benefits:

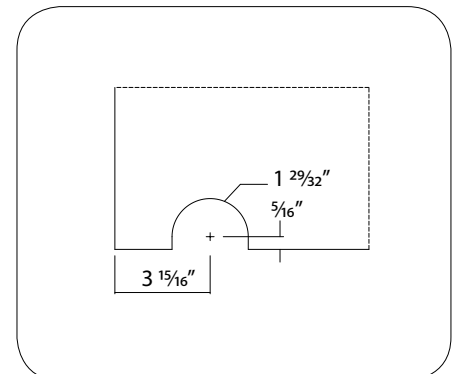
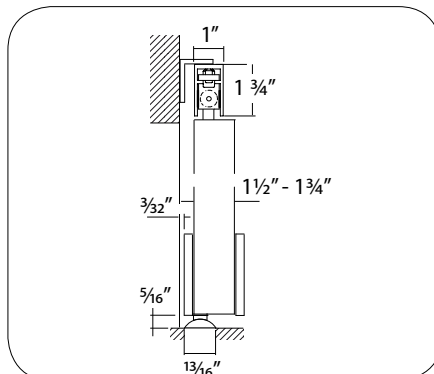
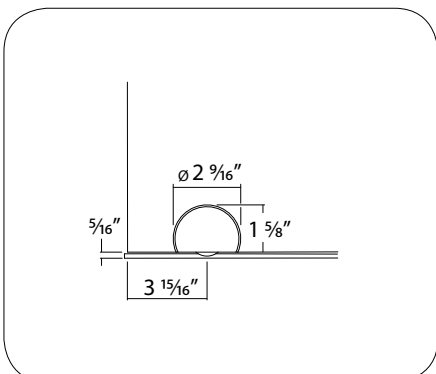
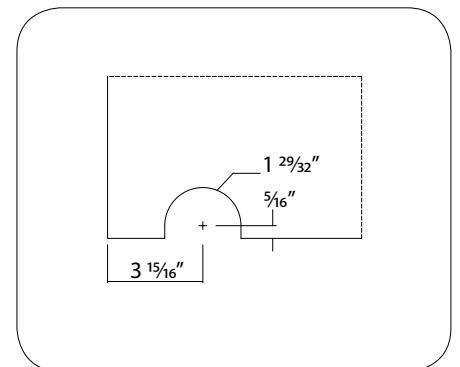
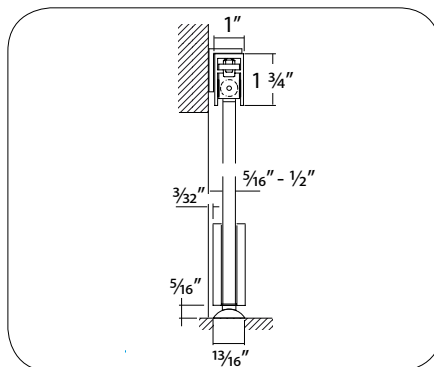
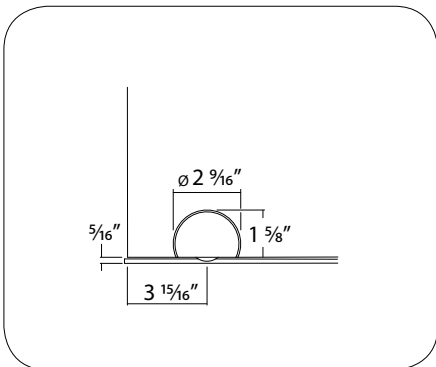
- ANSI/BHMA A156.14-2013 tested and certified Grade 1
- Glass door thickness: 5/16" - 1/2"
- Wood door thickness: 1 1/2" - 1 3/4"
- Adjustable height + 3/64" / 5/64" / 1/8"
- Initial friction < 10 NM
- Maximum door weight: 176 lbs (80 kg)

## Single door set includes:

- 1 bottom rail undrilled for gluing
- 1 ceiling guiderail
- 2 base bottom rollers
- 2 doorstoppers
- installation screws

## Optional:

- Wall mount for Guide Rail see page 55
- Softclose + brush seal during use of the rail
- Comfortline: see page 58



# Set Full Moon | for Glass- and Wooden Doors



Set numbers for glass panels  
 Surface

Passage width	profile length	satin stainl. steel
29 1/2" - 35 7/16"	74 3/16"	112.0155
35 13/16" - 39 3/8"	82 11/16"	112.00156
39 3/4" - 44 1/16"	92 1/2"	112.00157
44 1/2" - 49 3/16"	102 3/8"	112.00158



Set numbers for wooden panels  
 Surface

Passage width	profile length	satin stainl. steel
29 1/2" - 35 7/16"	74 3/16"	112.00159
35 13/16" - 39 3/8"	82 11/16"	112.00160
39 3/4" - 44 1/16"	92 1/2"	112.00161
44 1/2" - 49 3/16"	102 3/8"	112.00162

## Features:

- Single Door Sets
- For walls w/o enough carrying capacity
- Patented continuous height adjustment
- Material: bottom rail + rollers, stainless steel (AISI-1304L)
- Ceiling guiderail aluminium (stainless steel optic)
- Finish options: satin stainless steel

## Benefits:

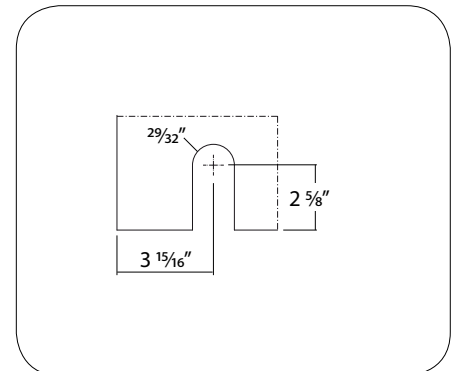
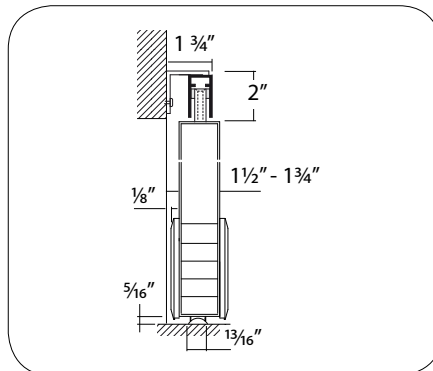
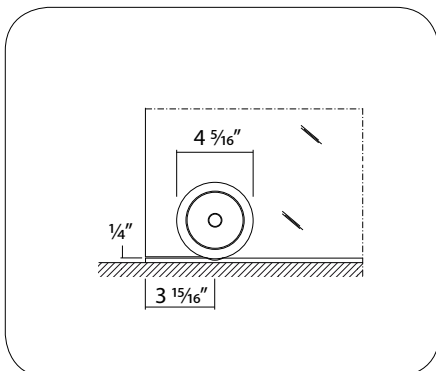
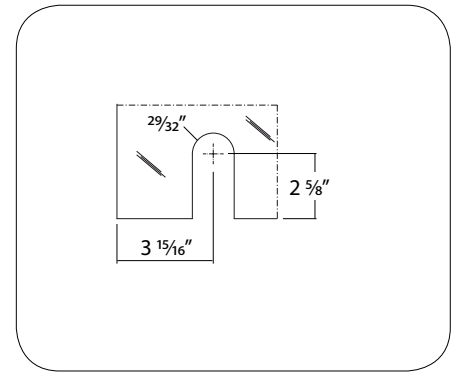
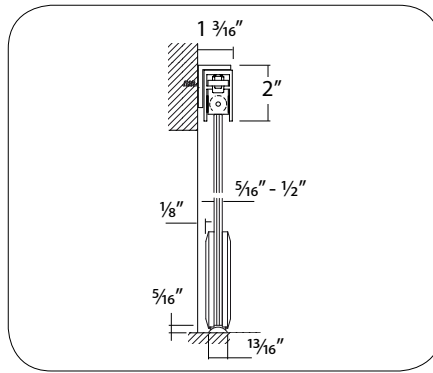
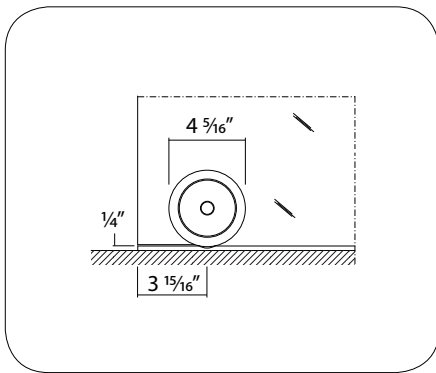
- ANSI/BHMA A156.14-2013 tested and certified Grade 1
- Glass door thickness: 5/16" - 1/2"
- Wood door thickness: 1 1/2"-1 3/4"
- Adjustable height + 1/4"
- Initial friction < 10 NM
- Maximum door weight: 330 lbs (145 kg)

## Single door set includes:

- 1 bottom rail undrilled for gluing
- 1 ceiling guiderail
- 2 base bottom rollers
- 2 doorstoppers
- installation screws

## Optional:

- wall mount for Guide Rail see page 55
- Soft-close + brush seal during use of the rail
- Comfortline: see page 58



# Track Rails | for Base Bottom Rollers

## Aluminum, stainless steel optic 1 3/4" / 1"

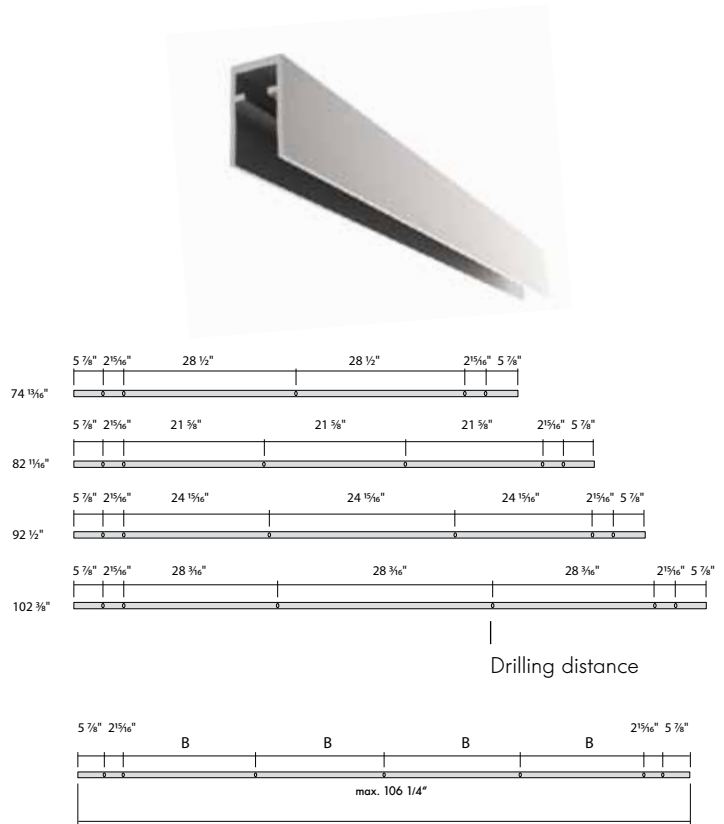
Rail Econoline 1 3/4" / 1", aluminum, stainless steel optic,  
for ceiling or wall mount (wall angles required) for single doors:

Art. No.	profile length	passage width
USO82-1900EO	74 3/16"	29 1/2" - 35 7/16"
USO82-2100EO	82 11/16"	35 13/16" - 39 3/8"
USO82-2350EO	92 1/2"	39 3/4" - 44 1/16"
USO82-2600EO	102 3/8"	44 1/2" - 49 3/16"

For two door panels, two pieces with coupling:

Art. No.	profile length	passage width
USO82-3750EO	147 7/12"	59" - 70 7/8"

Rail Econoline 1 3/4" / 1", custom-made:  
Please note distance B



## Aluminum, stainless steel optic 2 23/64" / 2 19/32", two parts

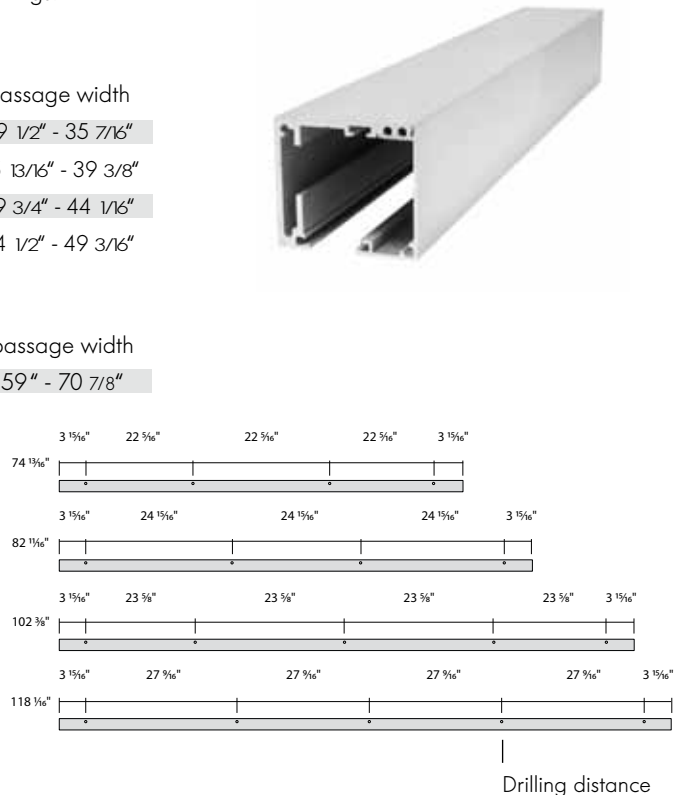
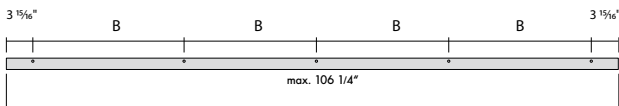
Rail Comfortline 2 23/64" / 2 19/32", aluminum, stainless steel optic,  
for ceiling or wall mount and for subsequent installation of suspended ceilings.  
for single doors:

Art. No. ceiling fixture	Art. No. wall fixture	profile length	passage width
112.00007	112.00002	74 3/16"	29 1/2" - 35 7/16"
112.00008	112.00003	82 11/16"	35 13/16" - 39 3/8"
112.00009	112.00004	92 1/2"	39 3/4" - 44 1/16"
112.00010	112.00005	102 3/8"	44 1/2" - 49 3/16"

For two door panels, two pieces with coupling:

Art. No.	profile length	passage width
USO84-3750EO	147 7/12"	59" - 70 7/8"

Rail Comfortline 2 23/64" / 2 19/32", custom-made:  
Please note distance B



## Bottom Track Rails | for Base Bottom Rollers

Bottom track rail 25/32" x 1/4", without drill holes, for glueing onto the floor, satin stainless steel (AISI 304)

For single door panel:

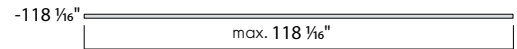
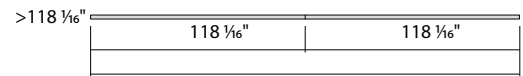
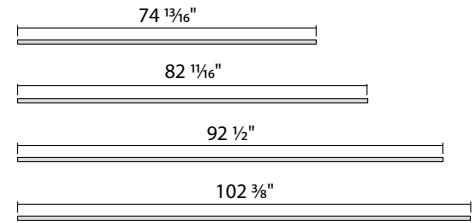
Art. No.	track rail length	passage width
USO86.2-1900EF	74 3/16"	29 1/2" - 35 7/16"
USO86.2-2100EF	82 11/16"	35 13/16" - 39 3/8"
USO86.2-2350EF	92 1/2"	39 3/4" - 44 1/16"
USO86.2-2600EF	102 3/8"	44 1/2" - 49 3/16"

For two door panels, with coupling

Art. No.	track rail length	passage width
USO86.2-3750EO	147 7/12"	59" - 70 7/8"

Custom made:

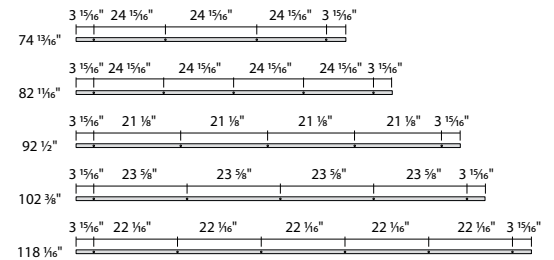
Please note the length of the bottom rail.



Bottom track rail 25/32" x 1/4", with drill holes for countersunk head screw, satin stainless steel (AISI 304)

For single door panel:

Art. No.	track rail length	passage width
USO86.1-1900EF	74 3/16"	29 1/2" - 35 7/16"
USO86.1-2100EF	82 11/16"	35 13/16" - 39 3/8"
USO86.1-2350EF	92 1/2"	39 3/4" - 44 1/16"
USO86.1-2600EF	102 3/8"	44 1/2" - 49 3/16"

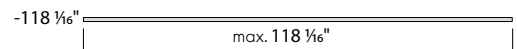
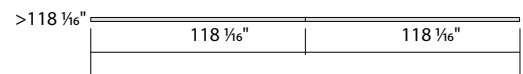


For two door panels, with coupling

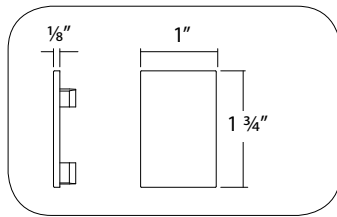
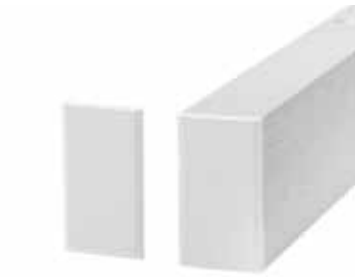
USO86.1-3750EO	147 7/12"	59" - 70 7/8"
----------------	-----------	---------------

Custom made:

Please note the length of the rail and distance between the drillholes.

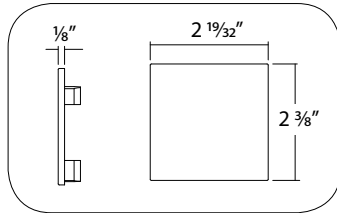


# Accessories | for Track Rails



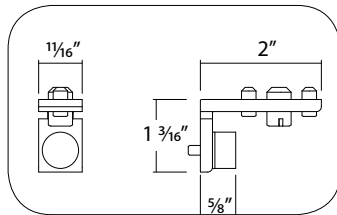
Pair of end caps  
for rail Econoline 13/4" / 1"  
for clipping

Art. No.:	Material
112.00154	plastic



Pair of end caps  
for rail Econoline 23/8" / 2 19/32"  
for clipping

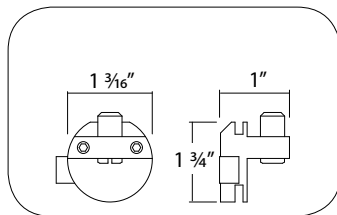
Art. No.:	Material
USO84-EK1	plastic



Door stopper with connection set  
for rail Econoline 13/4" / 1" (pair)

Art. No.	Material
112.00018	aluminum / rubber buffer
112.00019	aluminum / rubber buffer

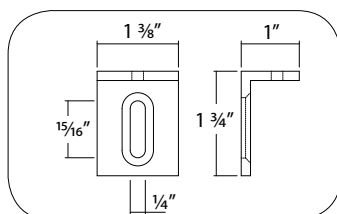
set for glass door t = 5/16" - 1/2"  
set for wooden door t = 1 1/2" - 1 3/4"



Door stopper (pair) with connection set  
for rail Comfortline 23/8" / 2 19/32"

Art. No.	Material
112.00016	aluminum / rubber buffer
112.00017	aluminum / rubber buffer

set for glass door t = 5/16" - 1/2"  
set for wooden door t = 1 1/2" - 1 3/4"



Mounting bracket for wall fixture  
for mounting the ceiling track rail to the wall

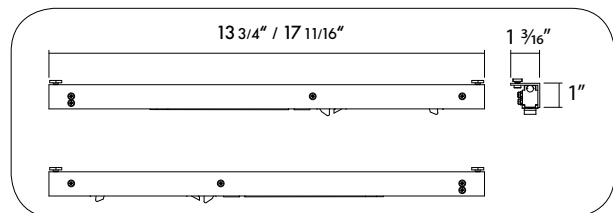
Art. No.	
USO282-25EO	for glass doors AL = 1"
USO282-35EO	for glass doors AL = 1 3/8"
USO282-45EO	for wooden doors, AL = 1 3/4"

aluminum, stainless steel optic

## Accessories | for Track Rails

### Soft-close mechanism

The soft-close mechanism catches the door panel as it is being closed and pulls it to a defined stopping point. This prevents the door from slamming into stoppers and bouncing back or jumping off the track. Please note the various Soft-close mechanisms which are defined by the weight of the door.



#### Soft-close mechanism (pair)

including activator

for track rail Comfortline 2 23/64" / 2 19/32", plastic housing

Soft-close mechanism (left/right)

for glass door t = 5/16" - 1/2"

Art. No.:

112.00023

maximum door weight 176 lbs (80 kg), L = 13 3/4"

112.00025

maximum door weight 176 lbs to 264 lbs (80 to 120 kg), L = 17 11/16"

Soft-close mechanism (left/right)

Art. No.:

for wooden door t = 1 1/2" - 1 3/4", L = 13 3/4"

112.00024

maximum door weight 176 lbs (80 kg)

112.00026

maximum door weight 264 lbs (120 kg), L = 17 11/16"

### Brush sealing for track rail Comfortline 2 23/64" / 2 19/32"



Art. No.:

profile length

112.00027

L: 74 3/16"

seal (pair)

for glass door t = 5/16" - 25/64"

112.00028

L: 82 11/16"

seal (pair)

for glass door t = 5/16" - 25/64"

112.00029

L: 92 1/2"

seal (pair)

for glass door t = 5/16" - 25/64"

112.00030

L: 102 3/8"

seal (pair)

for glass door t = 5/16" - 25/64"

112.00033

L: 74 3/16"

seal (pair)

for glass door t = 7/16" - 33/64"

112.00034

L: 82 11/16"

seal (pair)

for glass door t = 7/16" - 33/64"

112.00035

L: 92 1/2"

seal (pair)

for glass door t = 7/16" - 33/64"

112.00036

L: 102 3/8"

seal (pair)

for glass door t = 7/16" - 33/64"

112.00039

L: 74 3/16"

seal (pair)

for wooden door

112.00040

L: 82 11/16"

seal (pair)

for wooden door

112.00041

L: 92 1/2"

seal (pair)

for wooden door

112.00042

L: 102 3/8"

seal (pair)

for wooden door

### Color options vor Base Bottom Roller Silent Glam



Customized design



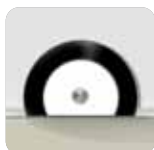
Basic version  
center inlay:  
satin stainless steel, USO280EF



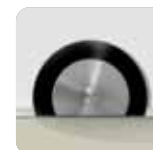
Color option 1  
Outer inlay: white glass, USO281G003  
Center inlay: black glass, USO280G004



Customized design



Color option 2  
Outer inlay: black glass, USO281G004  
Center inlay: white glass, USO280G003



Color option 3  
Outer inlay: black glass, USO281G004  
Center inlay: satin stainless steel, USO280EF

# Shower Systems



Urban Duo



Urban Edge

# Urban Slide | Shower Door Hardware



## Features:

- Different length of track rails
- Track rail can be cut to desired length by customer
- For niche situations
- Anti-jump device
- Materials: brass, polished chrome or satin stainless steel (AISI304L)

## Benefits:

- Tube thickness 4 mm for stabile construction
- No glass drill on fixed glass
- Small glass gap: 14 mm
- Glass gap: 40 mm, seal see page 61
- For glass thickness 1/4"–1/2" or 23/64"–33/64"
- Initial friction: <10 NM
- Maximum door weight: 132 lbs (60 kg)

### 48" Set numbers sliding hardware set

Surface

Glass Thickness	satin stainless steel	brass, polished chrome
3/8"–1/2"	130.00119	130.00121
5/16"	130.00120	130.00122

For each installation please order the hardware set, the glass holder set and a track rail (see page 61 + 64) separately.

### 60" Set numbers sliding hardware set

Surface

Glass Thickness	satin stainless steel	brass, polished chrome
3/8"–1/2"	130.00123	130.00125
5/16"	130.00124	130.00126

## Set includes:

- 1 track rail
- 2 rollers
- 2 anti-jump devices
- 2 glass holders
- 2 wall mounts, end face
- 1 bottom guide

## Optional:

- Track rail in different lengths see page 61
- Additional parts for corner solutions see page 61
- Clamps or profiles for fixed glass see page 80/81
- Knobs, handles, stabilization see page 70/71



Trolleys



Door stoppers

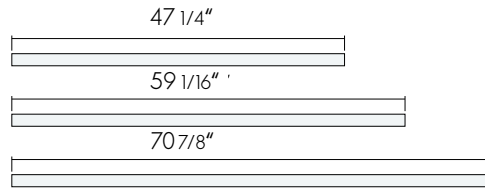


Bottom guide



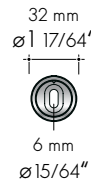
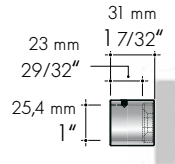
Glass holder

# Track rails Urban Slide | for installation in a niche



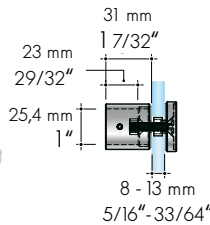
## Track rail for Urban Slide

Art. No.:	chrome, polished, t = 1/16"
130.00031	L: 48"
130.00032	L: 60"
130.00033	L: 72"
Art. No.:	satin stainless steel, t = 1/16"
130.00034	L: 48"
130.00035	L: 60"
130.00036	L: 72"



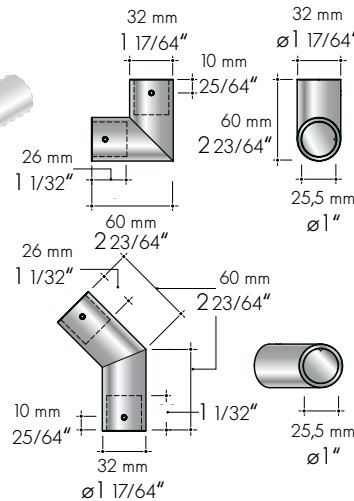
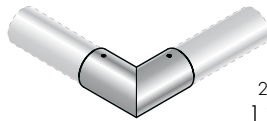
## Wall mount, end face

Art. No.:	Material
130.00050	chrome, polished
130.00049	satin stainless steel



## Glass wall mount, end face

Art. No.:	Material
130.00069	chrome, polished
130.00057	satin stainless steel



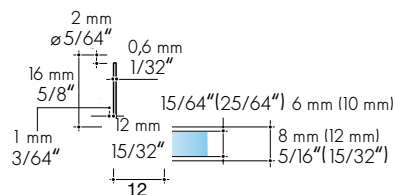
## Connector for corner solutions

### 90° connector

Art. No.:	Material
130.00022	chrome, polished
130.00008	satin stainless steel

### 135° connector

Art. No.:	Material
130.00021	chrome, polished
130.00010	satin stainless steel

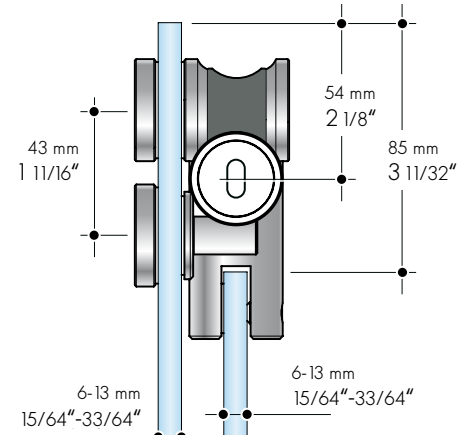
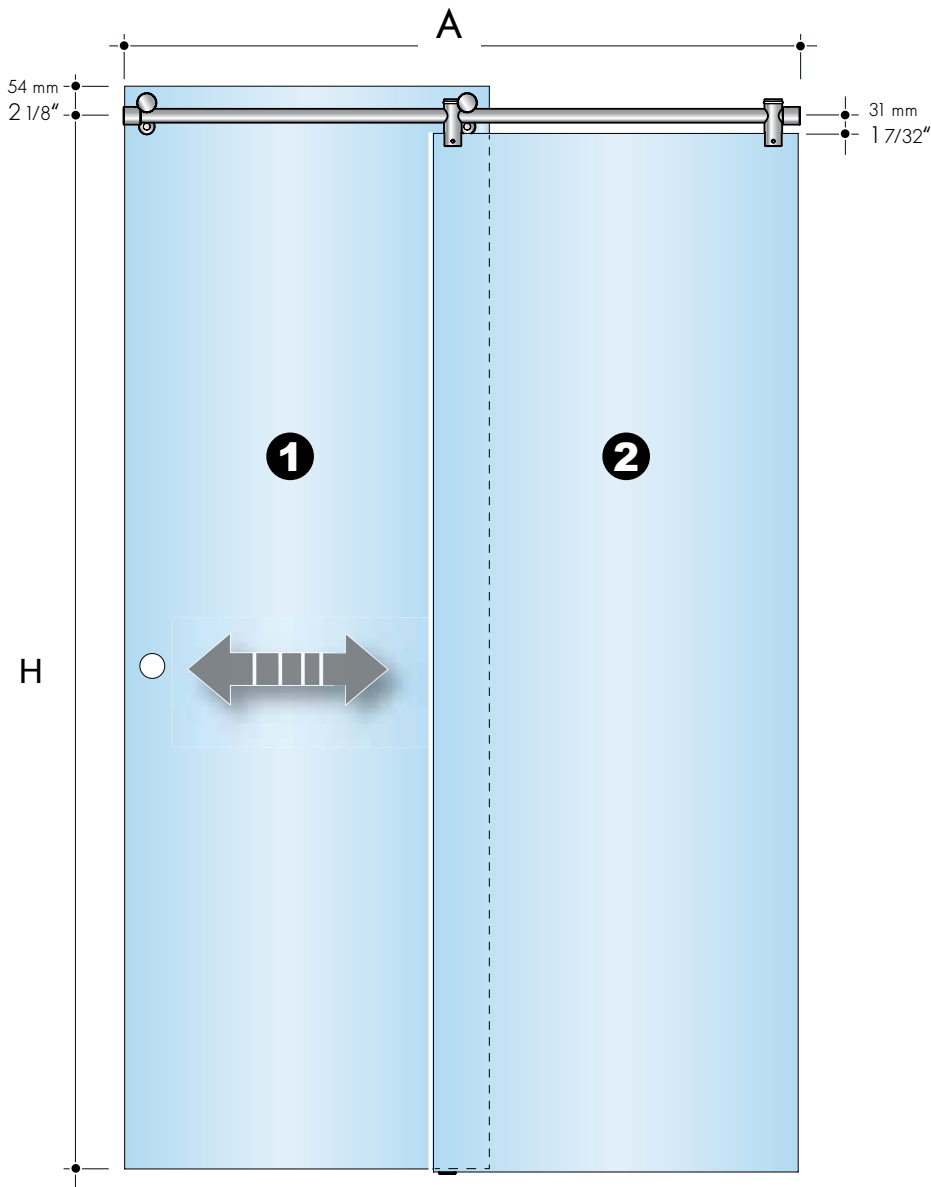


## Sealing profile, front face, for glass panel

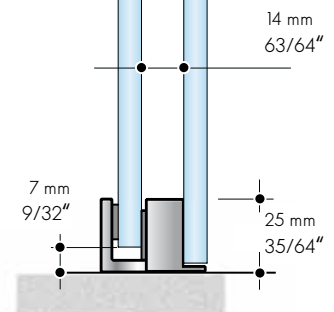
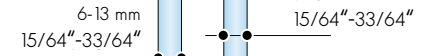
Art. No.:	L	seal flag	GS
130.00104	82 43/64"	5/8"	5/16"
130.00105	82 43/64"	1 1/2"	5/16"

PVC hard/soft, transparent

# URBAN Slide | Sliding Door Fitting



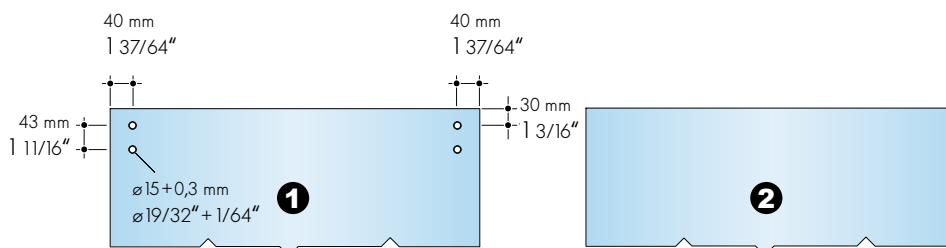
**1 2**



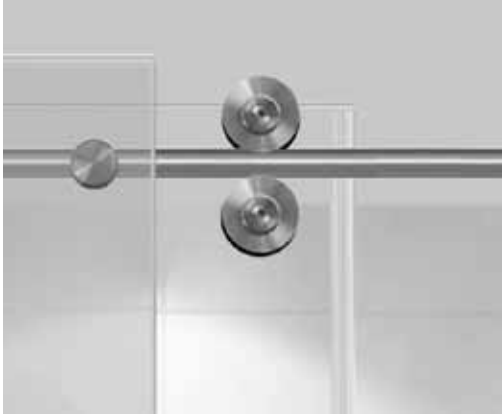
**standard length:**

A	L	TB	FGB	DB
48"	47 1/4"	26"	26"	20 11/16"
60"	59 1/16"	31 7/8"	31 7/8"	26 3/8"
72"	70 7/8"	37 13/16"	37 13/16"	32 1/2"

- A = DLO-W (day light opening-width)
- L = track rail length
- TB = sliding glass panel width
- FGB = fixed glass panel width
- DB = clear opening width



# URBAN Duo | Sliding Door Fitting



## Features:

- Attractive design
- Different length of track rails
- Track rail can be cut to desired length by customer
- Fixed and slide glass on the same height
- For niche situations
- Material: brass, polished chrome and satin stainless steel (AISI304L)

## Benefits:

- Tube thickness 4 mm for stabile construction
- Glass gap: 40 mm, seal see page 61
- For glass thickness 1/4"-1/2" or 23/64"-33/64"
- Initial friction: < 10 NM
- Maximum door weight: 132 lbs (60 kg)

## Set includes:

- 1 track rail
- 4 rollers
- 2 glass holders
- 2 wall mounts, end face
- 2 door stoppers
- 1 bottom guide

## Optional:

- Track rail in different lengths see page 61
- Additional parts for corner solutions see page 61
- Clamps or profiles for fixed glass see page 80/81
- Knobs, handles, stabilization see page 70/71

### 48" set numbers sliding hardware set

Glass Thickness	Surface	
	satin stainless steel	Brass-polished chrome
3/8"-1/2"	130.00127	130.00129
5/16"	130.00128	130.00130

### 60" set numbers sliding hardware set

Glass Thickness	Surface	
	satin stainless steel	Brass-polished chrome
3/8"-1/2"	130.00131	130.00133
5/16"	130.00132	130.00134



Trolleys



Door stoppers

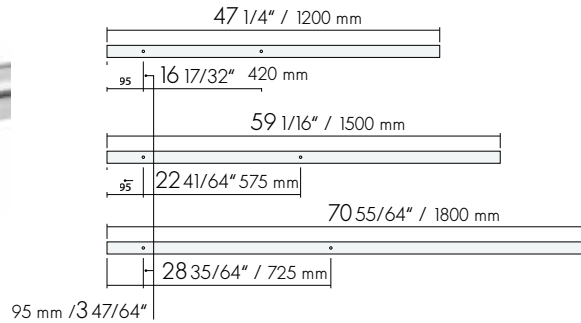


Bottom guide



Glass holder

Track Rail | Urban Slide and Urban Duo

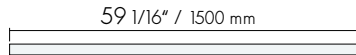


Track rail  
 for niches, drilled  
 polished chrome

Art. No.:	
130.00037	L: 47 1/4"
130.00038	L: 59 1/16"
130.00039	L: 70 55/64"

satin stainless steel

Art. No.:	
130.00040	L: 47 1/4"
130.00041	L: 59 1/16"
130.00042	L: 70 55/64"



Track Rail  
 for niches, andrilled  
 polished chrome

Art. No.:	
130.00032	L: 59 1/16"



Drill template for track rail  
 for individual drilling of the guide rail tube  
 Urban 2 and Urban Duo

Art. No.:	description
130.00078	drill template

Material: plastic

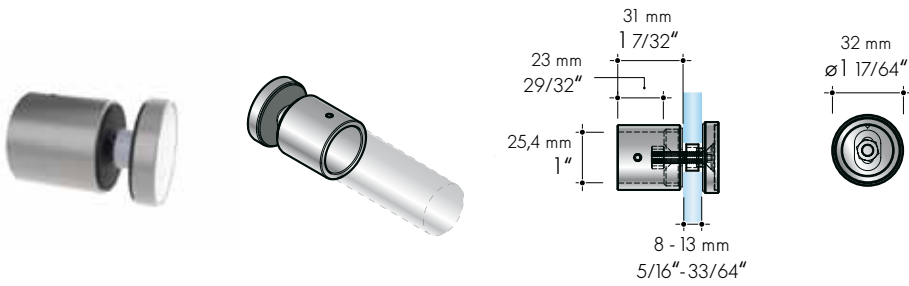


# Urban Slide and Urban Duo



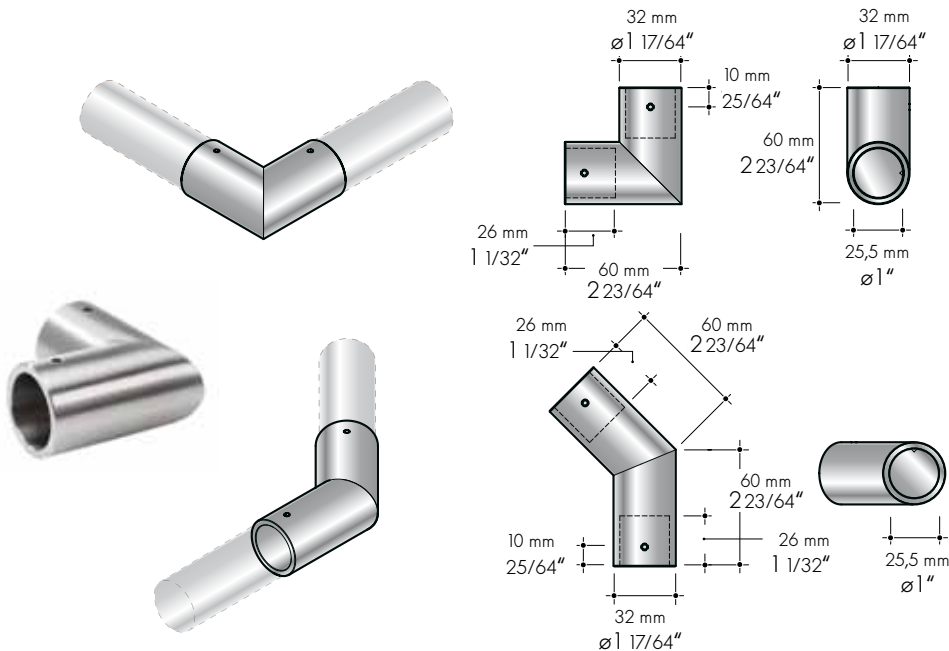
Wall mount, end face

Art. No.:	Material
130.00050	polished chrome
130.00049	satın stainless steel



Glass wall mount, end face

Art. No.:	Material
130.00069	polished chrome
130.00057	satın stainless steel



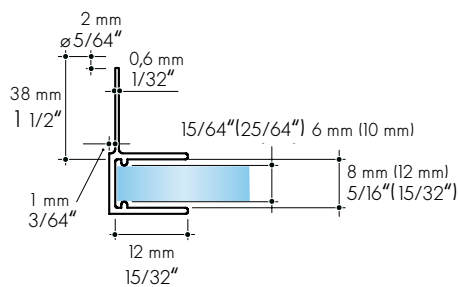
Connector for corner situations

90° connector

Art. No.:	Material
130.00022	polished chrome
130.00008	satın stainless steel

135° connector

Art. No.:	Material
130.00021	polished chrome
130.00010	satın stainless steel

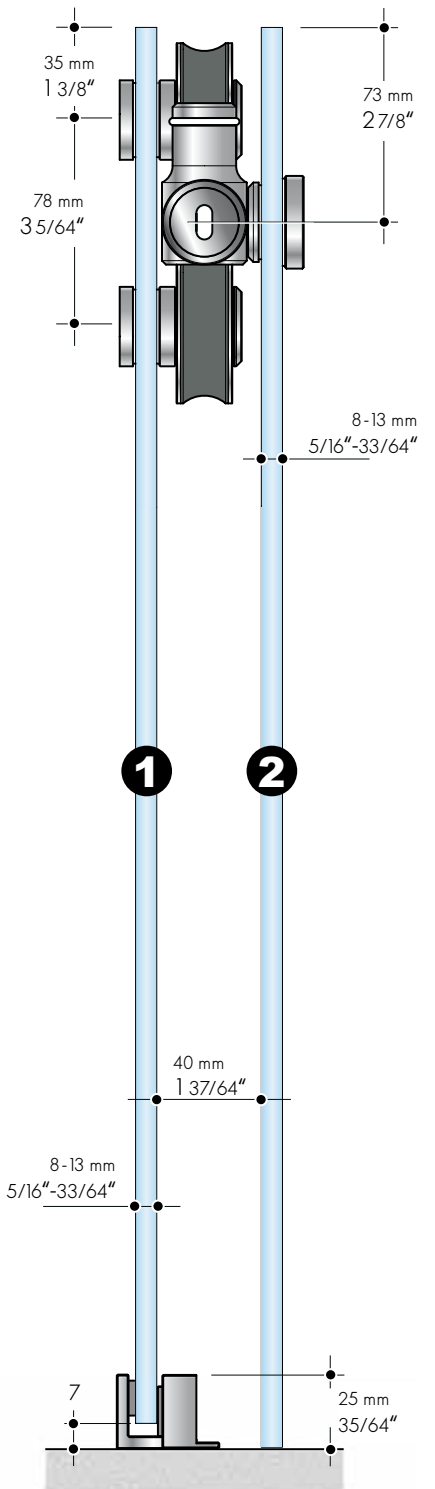
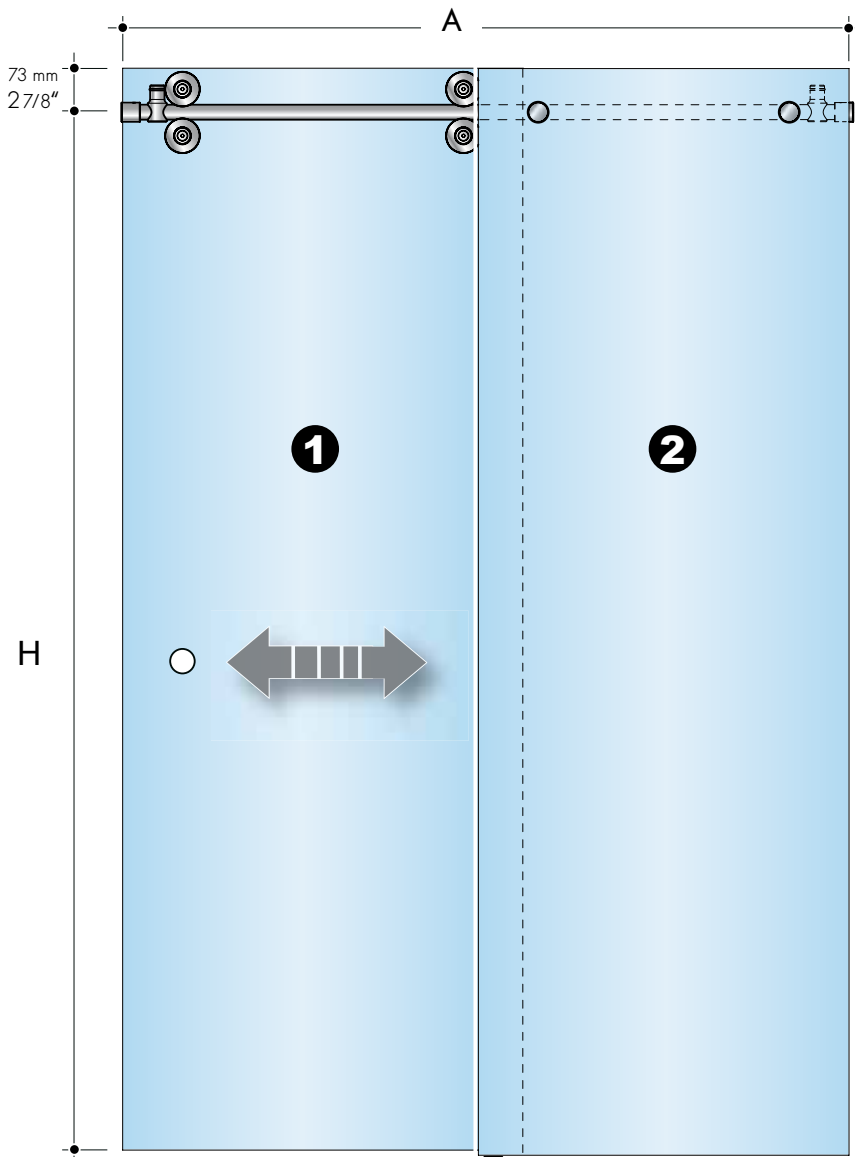


Sealing profile, front face, for glass panel

Art. No.:	L	seal flag	GS
130.00104	82 43/64"	5/8"	5/16"
130.00105	82 43/64"	1 1/2"	5/16"

PVC hard/soft, transparent

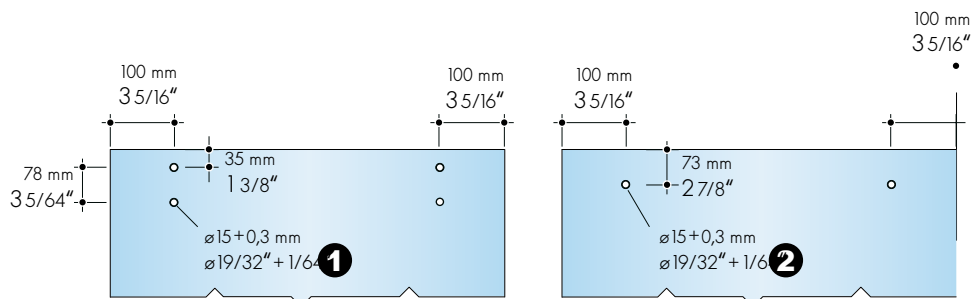
# URBAN Duo | Sliding Door Fitting



**standard length:**

A	L	TB	FGB	DB
48"	47 1/4"	26 3/8"	24 7/16"	21 11/16"
60"	59 1/16"	32 5/16"	30 1/2"	27 3/8"
72"	70 7/8"	38 3/16"	36 7/16"	33 5/16"

- A = DLO-W (day light opening-width)
- L = track rail length
- TB = sliding glass panel width
- FGB = fixed glass panel width
- DB = clear opening width



# URBAN Edge | Flat Track System



## Features:

- Flat track design
- Different length of track rails
- Track rail can be cut to length by customer
- Fixed and slide glass at the same height
- For niche situations
- Material: brass polished chrome and satin stainless steel (AISI304/L)

## Benefits:

- Solid track rail for stabile construction
- For countersunk and standard screws
- Glass gap 18 mm only, seal see page 68
- For glass thickness 1/4"-1/2" or 23/64"-33/64"
- Initial friction: < 10 NM
- Maximum door weight: 110 lbs (50 kg)

## Set includes:

- 1 track rail
- 4 rollers
- 2 glass holders
- 2 wall mount end faces
- 2 door stoppers
- 1 bottom guide

## Optional:

- Track rail in different lengths: see page 68
- Additional parts for corner solutions: see page 68
- Clamps or profiles for fixed glass: see page 80/81
- Knobs, handles, stabilization: see page 70/71

### 48" set numbers sliding hardware set

#### Surface

Glass thickness	satin stainless steel	brass, polished chrome
3/8"-1/2"	130.00135	130.00137
5/16"	130.00136	130.00138

### 60" set numbers sliding hardware set

#### Surface

Glass thickness	satin stainless steel	brass, polished chrome
3/8"-1/2"	130.00139	130.00141
5/16"	130.00140	130.00142



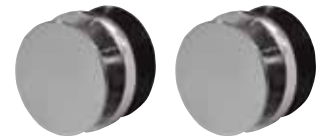
Trolleys



Door stopper

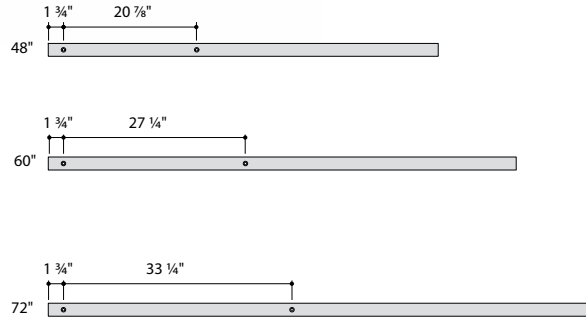


Bottom guide



Glass holder

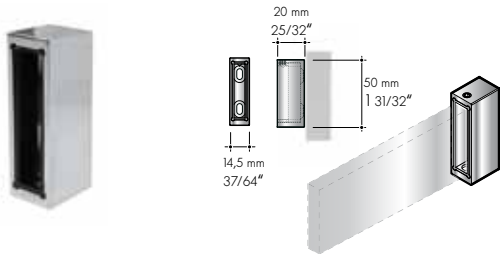
# URBAN Edge | Flat Track System



Track rail for niches, drilled

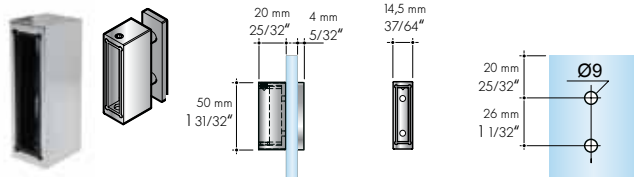
Art. No.:	length
130.00081	47 1/4"
130.00082	59 1/16"
130.00083	70 55/64"

Material: stainless steel, polished



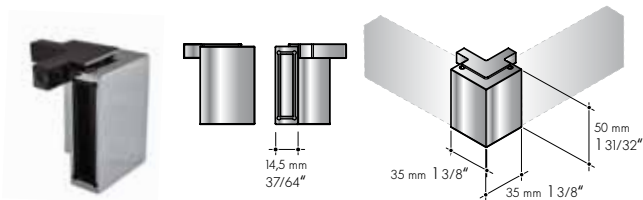
Wall mount, end face

Art. No.:	Material
130.00077	chrome-plated brass



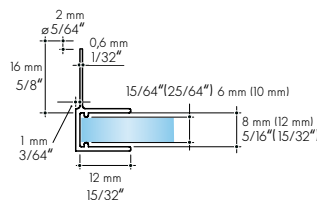
Glass wall mount, end face

Art. No.:	Material
130.00079	chrome-plated brass



90° angle connector for guide rail

Art. No.:	Material
130.00080	chrome-plated brass

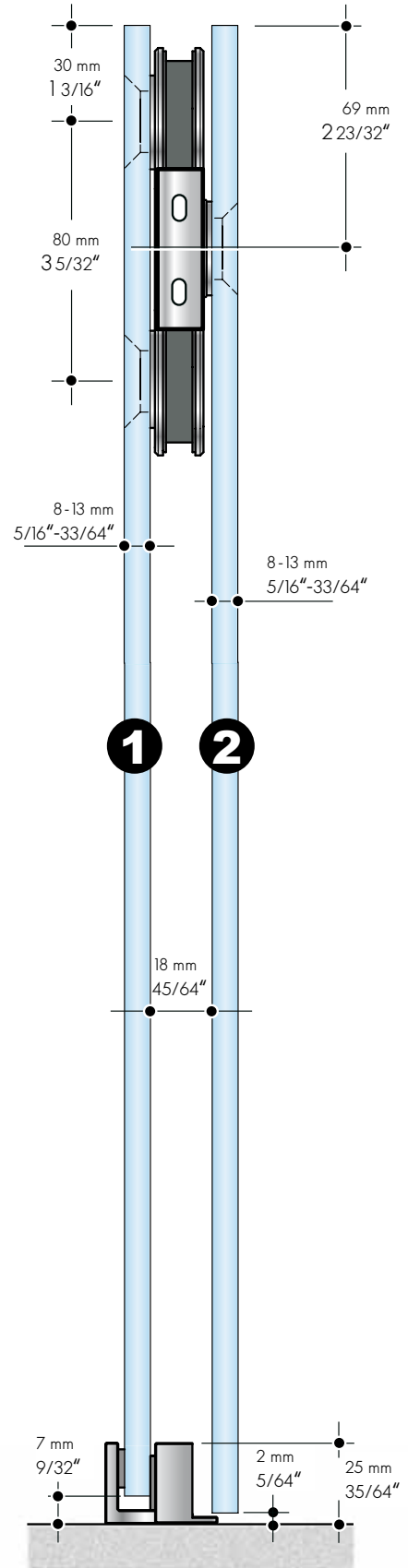
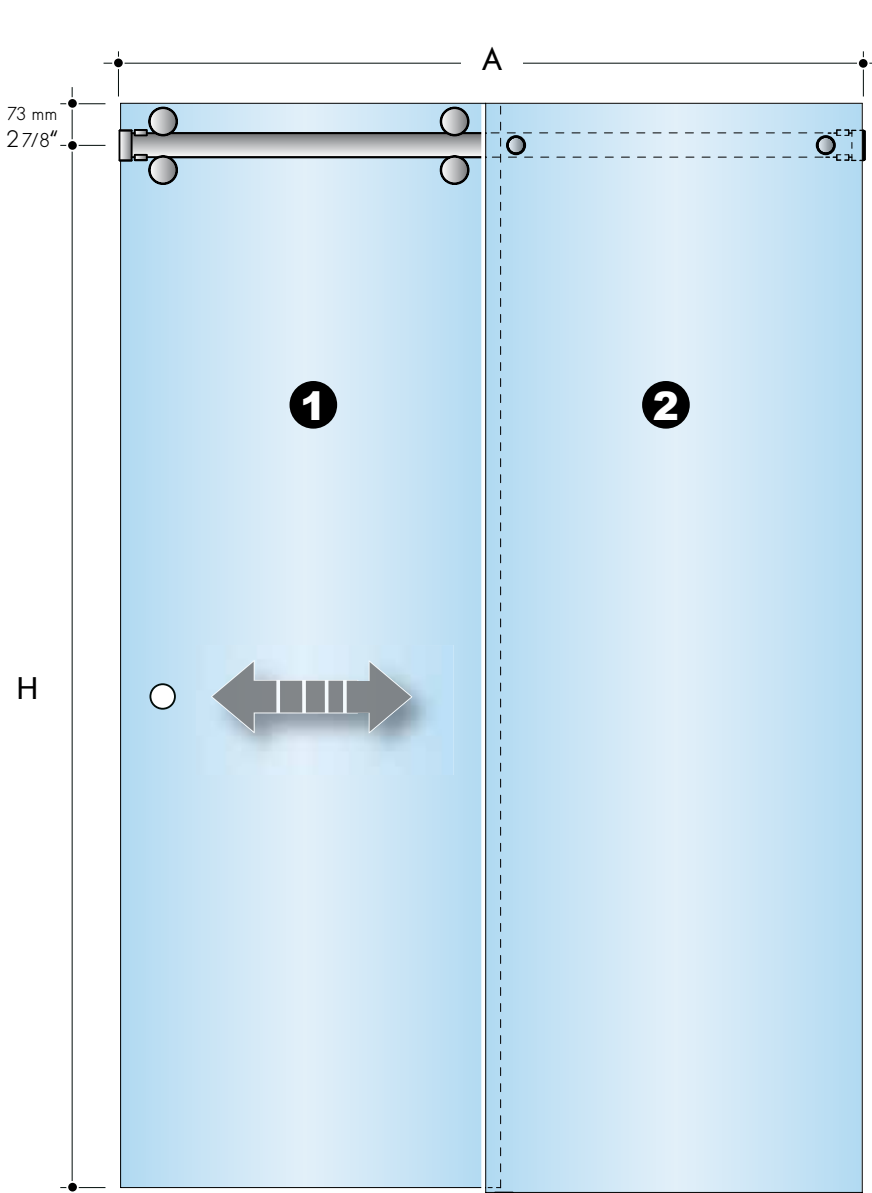


Sealing profile, front face, for glass panel

Art. No.:	L	seal flag	GS
130.00104	82 43/64"	5/8"	5/16"
130.00105	82 43/64"	1 1/2"	5/16"

PVC hard/soft, transparent

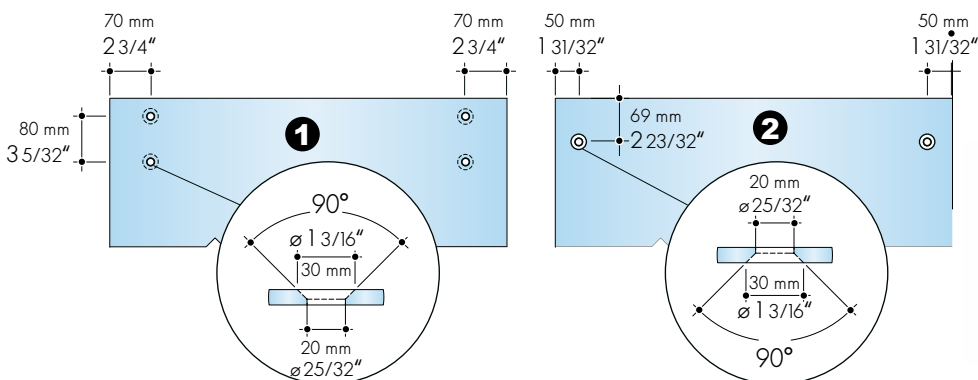
# URBAN Edge | Flat Track System



### standard length:

A = DLO-W (day light opening-width)  
 L = track rail length  
 TB = sliding glass panel width  
 FGB = fixed glass panel width  
 DB = clear opening width

A	L	TB	FGB	DB
48"	46 5/8"	24 7/16"	24 13/16"	22 7/16"
60"	59 7/16"	30 13/16"	31 3/16"	28 13/16"
72"	71 7/16"	36 13/16"	37 3/16"	35 1/4"



# Accessory | Knobs and Handles

standard



DTB2016CG

white



DTB270-G017

black



DTB270-G018

grey patches

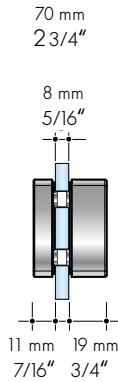
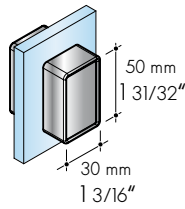


DTB270-G023

red stripes



DTB270-G019

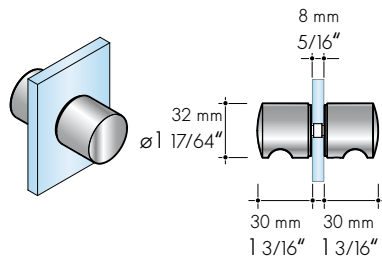


## Door knob

Art. No.:	B	L	H	Surface
DTB2016CG	1 3/16"	1 31/32"	7/16" / 3/4"	polished chrome

glass thickness 15/64"-25/64"  
 glass protection set, fastening set  
 solid brass, polished chrome  
 glass bore hole 25/64"  
 insert polished chrome as standard  
 please order other inserts separately:  
 DTB270-G017 decorative insert, white  
 DTB270-G018 decorative insert, black  
 DTB270-G019 decorative insert, red stripes  
 DTB270-G023 decorative insert, grey patches

## CONS

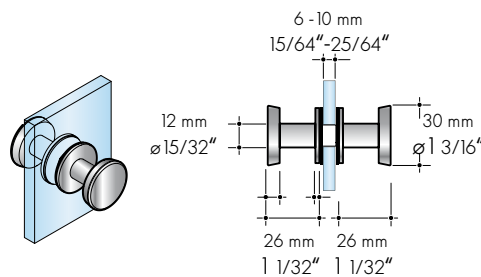


## Door knob Cons

Art. No.:	ø	H	Surface
DTB202032CG	1 17/64"	1 3/16"	polished chrome

glass thickness 15/64" - 15/32"  
 glass protection set, fastening set  
 solid brass, polished chrome  
 glass bore hole 25/64"

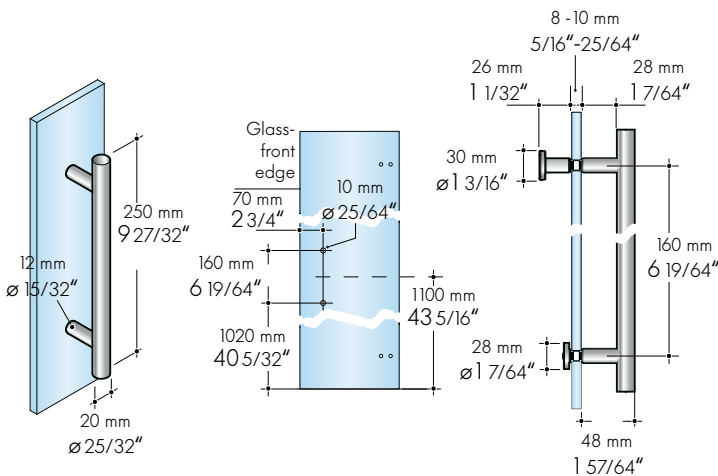
## CEUS



## Door knob Ceus

Art. No.:	ø	H	Surface
DTB201030EF	1 3/16"	1 1/32"	satin stainless steel
DTB201030EP	1 3/16"	1 1/32"	stainless steel, polished

glass thickness 15/64" - 15/32" mm  
 glass protection set, fastening set  
 satin stainless steel (AISI 303) or polished  
 glass bore hole 15/32"

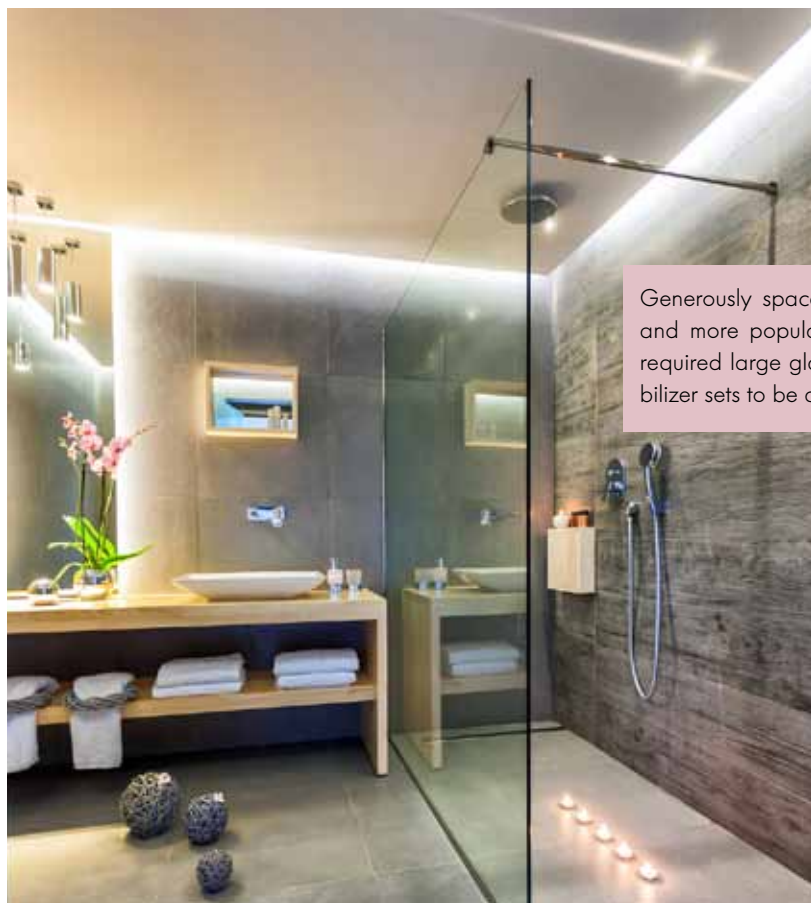


## Handle

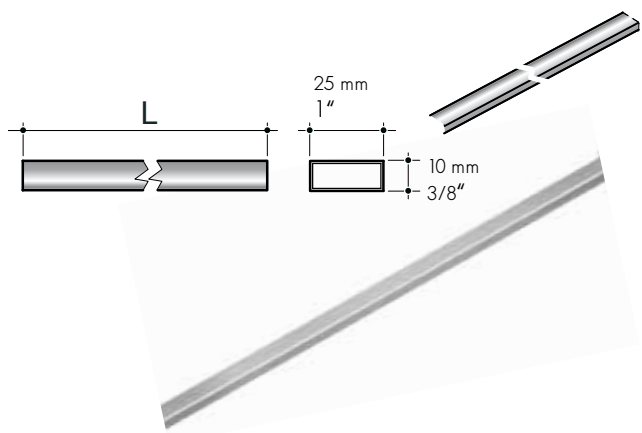
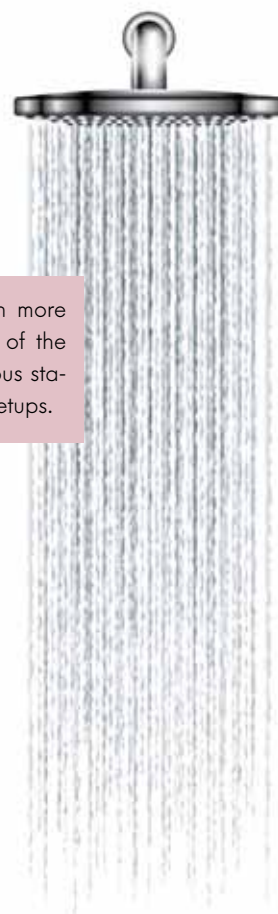
Art. No.:	ø	L	H	BM
DTB2025-15CG	1 9/32"	8 21/32"	1 11/16" / 1 3/8"	6 19/64"

glass thickness: 5/16"-25/64"  
 glass protection set, fastening set  
 solid brass, polished chrome  
 glass bore hole: 25/64"

# Stabilizers Track Rail | edged & round

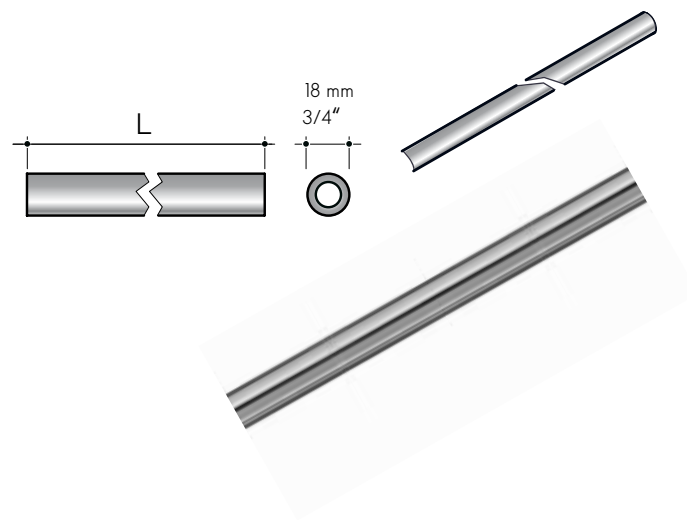


Generously spaced walk-in-showers gain more and more popularity. To ensure stability of the required large glass plates we offer various stabilizer sets to be applied to the different setups.



Stabilization bar, edge

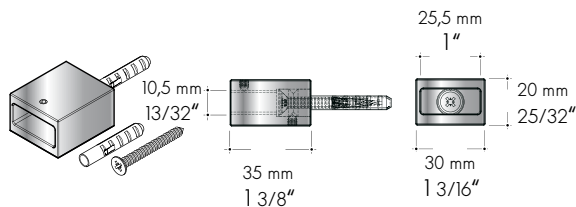
Art. No.:	length	Material
DTB2710CG	23 5/8"	polished chrome
DTB2712CG	39 3/8"	polished chrome
DTB2714CG	59 1/16"	polished chrome
DTB2910EF	23 5/8"	satın stainless steel
DTB2912EF	39 3/8"	satın stainless steel
DTB2914EF	59 1/16"	satın stainless steel



Stabilisation bar, round

Art. No.:	length	Material
DTB2510-18CG	23 5/8"	polished chrome
DTB2512-18CG	49 7/32"	polished chrome
DTB2514-18CG	62 63/64"	polished chrome

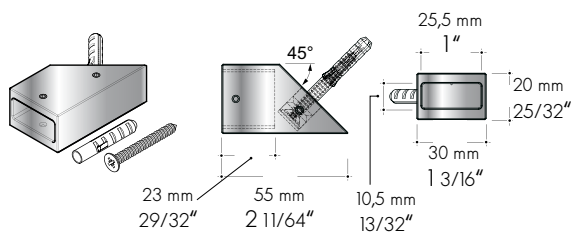
# Glass/ Wall Mount | Stabilizers, edged



Wall mount for edged tube

Art. No.:	B	L	H	design
DTB2735-CG	1 3/16"	1 3/16"	1 59/64"	polished chrome
DTB2935-EF	1 3/16"	1 3/16"	1 59/64"	satin stainless steel

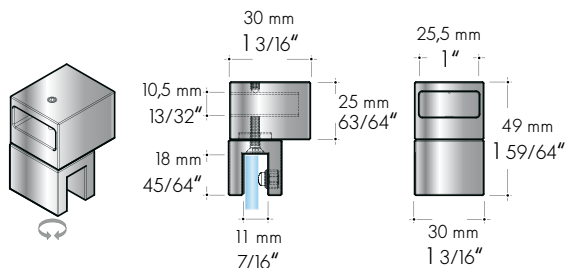
glass protection set, glass thickness = 5/16" – 25/64"



Wall mount for edged tube 45°

Art. No.:	B	L	H	design
DTB2740CG	1 3/16"	1 3/16"	1 59/64"	polished chrome
DTB2940EF	1 3/16"	1 3/16"	1 59/64"	satin stainless steel

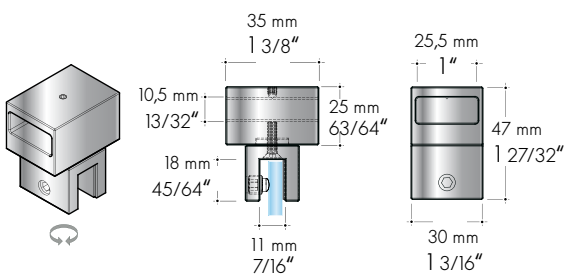
glass protection set, glass thickness = 5/16" – 25/64"



Glass mount, end face, for edged tube with turnable glass holder

Art. No.:	B	L	H	design
DTB2720CG	1 3/16"	1 3/16"	1 59/64"	polished chrome
DTB2920EF	1 3/16"	1 3/16"	1 59/64"	satin stainless steel

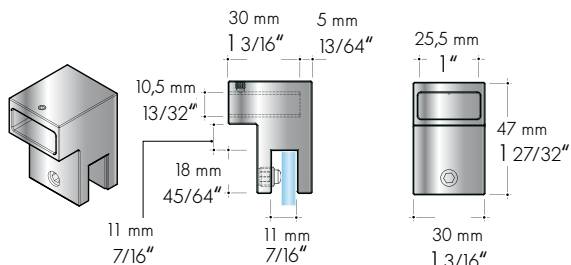
glass protection set, glass thickness = 5/16" – 25/64"



Glass mount, for edged tube with turnable glass holder

Art. No.:	B	L	H	design
DTB2730CG	1 3/16"	1 3/16"	1 59/64"	polished chrome
DTB2930EF	1 3/16"	1 3/16"	1 59/64"	satin stainless steel

glass protection set, glass thickness = 5/16" – 25/64"

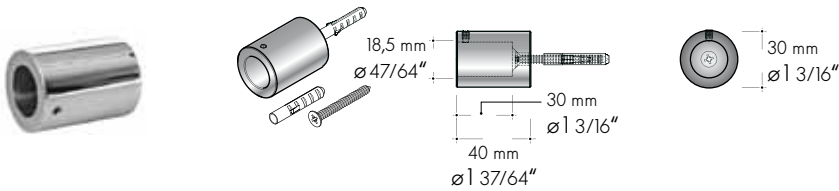


Glass mount, end face, for edged tube with fixed glass holder

Art. No.:	B	L	H	design
DTB2725CG	1 3/16"	1 3/16"	1 3/16"	polished chrome
DTB2925EF	1 3/16"	1 3/16"	1 59/64"	satin stainless steel

glass protection set, glass thickness = 5/16" – 25/64"

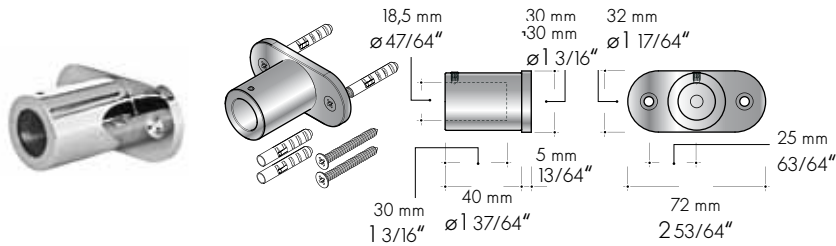
# Glass/Wall Mount | Round Tube



Wall mount, end face for round tube

Art. No.:	∅	L	M
DTB2540-30CG	1 3/16"	1 37/64"	M8

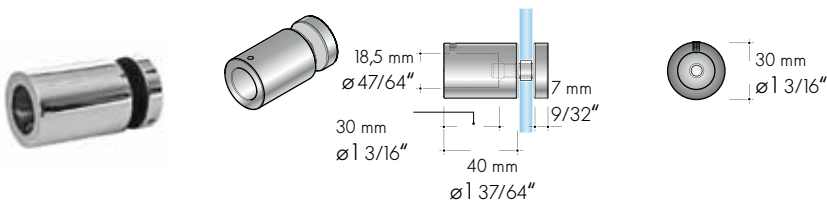
mounting with stock or universal screw  
mounting set  
solid brass, polished chrome



Wall mount with plate, end face,  
for round tube

Set Nr.	∅	L	M
DTB2545CG	1 3/16"	1 37/64"	M8

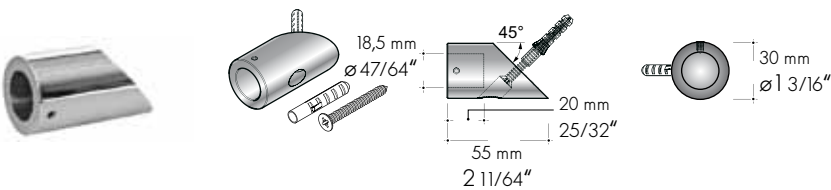
set consists of:  
wall connector, mounting plate 2 53/64" x 1 1/4"  
mounting set  
solid brass, polished chrome



Glass wall mount, end face for round tube

Set Nr.	∅	L	M	GS	S
DTB2550CG	1 3/16"	1 37/64"	M8	5/16"-25/64"	Z923

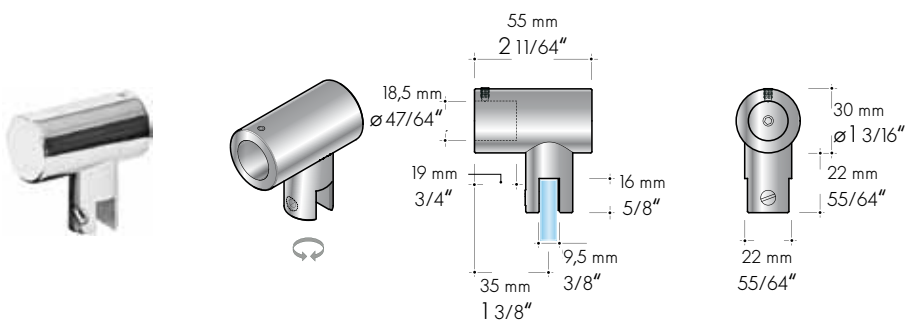
set consists of:  
wall connector, decorative screw D: 1 3/16",  
glass protection set, fastening set  
brass polished chrome – stainl. steel, polished



Wall mount, end face 45°, for round tube

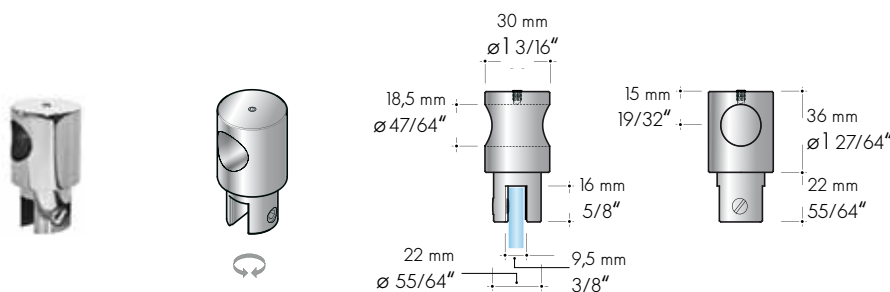
Art. No.:	∅	L	design
DTB2535CG	1 3/16"	2 11/64"	polished chrome

mounting with universal screw  
mounting set  
solid brass, polished chrome



Glass mount for round tube with turnable  
glass holder

Art. No.:	∅	L	H	GS
DTB2520-30CG	1 3/16"	2 11/64"	2 3/64" 15/64"-5/16"	

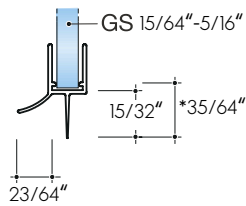


Glass wall mount for round tube, with  
glass holder

Art. No.:	∅	L	H	GS
DTB2530-30CG	1 3/16"	-	2 9/32"	15/64"-5/16"

glass protection set, glass thickness = 5/16"

## Sealing Profiles | for glass thickness 6–8 mm

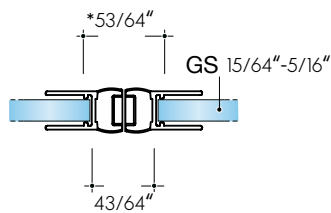


glass door sealing 90°

glass – wall

Art. No.:	length	glass thickness
DTB 2820K	85 7/16"	15/64"-5/16"

attachable profile for sealing on the bottom with water deflector  
PVC transparent

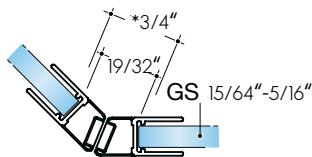


Magnetic seal 180°

glass – glass

Art. No.:	length	glass thickness
DTB 2825K	79 9/64"	15/64"-5/16"

1 pair (L+R)  
attachable profile, magnetic fixture  
PVC transparent

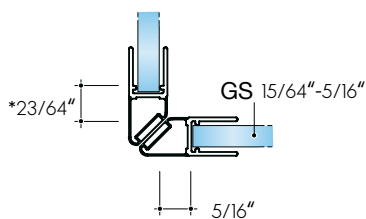


Magnetic seal 135°

glass – glass

Art. No.:	length	glass thickness
DTB 2830K	79 9/64"	15/64"-5/16"

1 pair (L+R)  
attachable profile, magnetic fixture  
PVC transparent



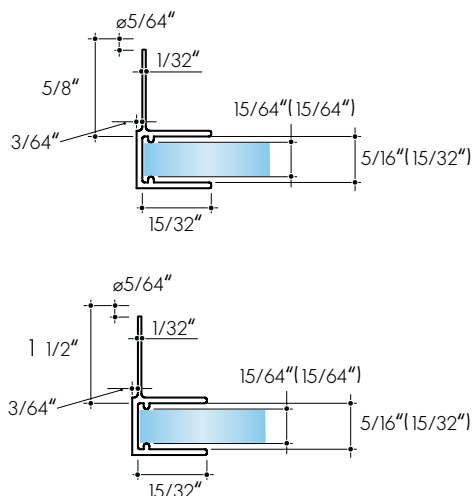
Magnetic seal 90°

glass – glass

Art. No.:	length	glass thickness
DTB 2835K	79 9/64"	15/64"-5/16"

1 pair (L+R)  
attachable profile, magnetic fixture  
PVC transparent

\* = Measurement for 5/16" glass



Sealing profile,  
front face, for glass panel

Art. No.:	L	seal flag	GS
130.00104	82 43/64"	5/8"	5/16"
130.00105	82 43/64"	1 1/2"	5/16"

PVC hard/soft, transparent



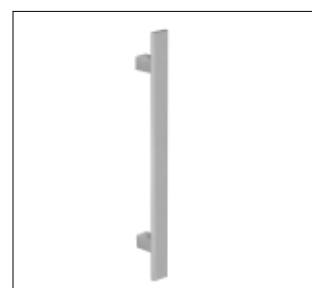
## Combination of Product Groups



Flatec glass connectors: see pages 79/80



Locking ladder pulls: see pages 81 - 97



Pull handles: see pages 98 - 100

# Barn Door Hardware Baluga | for Glass Doors Only



### Features:

- Single and biparting door sets
- Track rail can be cut to length by customer
- Anti-jump device
- Made from stainless steel (AISI304/L),
- Heavy duty polymer roller,
- Finish options: satin and polished stainless steel

### Benefits:

- Meets ANSI/BHMA A156.14-2013 internal test
- Door thickness: 5/16" – 1/2"
- Initial friction < 10 NM
- Maximum door weight: 320 lbs (145 kg)

### Single door set includes:

- 1 track rail
- 2 trolleys
- 3 (4) glass wall mounts
- 2 door stoppers
- 1 door bottom guide

### Biparting door set includes:

- 2 track rails + connector
- 4 trolleys
- 8 (10) glasswall mounts
- 4 door stopper
- 2 door bottom guides
- 1 double door stop

### Optional:

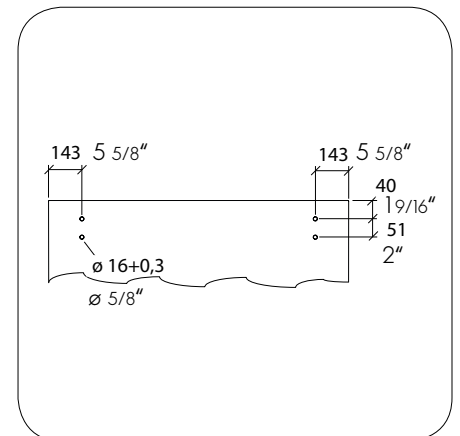
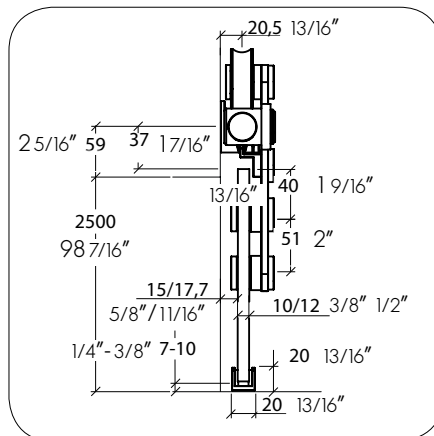
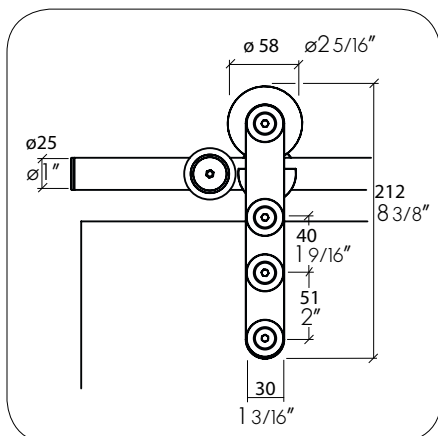
- Additional parts like ceiling mounts: see page 77
- Additional parts for glass walls: see page 77
- Additional parts like locking pull handles: see pages 98-100

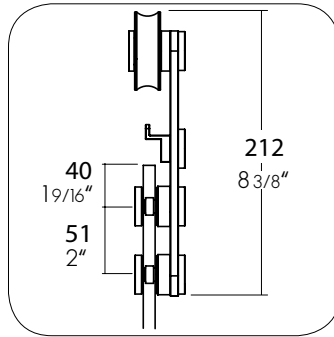
#### Set for single doors

Passage width	Track rail length	Surface	
		Satin stainl. steel	stainl. steel polished
29 1/2" – 35 7/8"	70 7/8"	110.00340	110.00343
35 13/16" – 39 3/8"	82 11/16"	110.00341	110.00344
44 1/2" – 49 3/16"	100"	110.00342	110.00345

#### Set for biparting doors

Passage width	Track rail length	Surface	
		Satin stainl. steel	stainl. steel polished
59" – 70 7/8"	144"	110.00515	110.00517
79" – 94 1/2"	192"	110.00516	110.00518





Trolley Baluga for glass

Art. No.:	Material
110.00016	satin stainless steel (AISI 304)
110.00253	stainless steel polished (AISI 304)



Track rail satin stainless steel = EF



Track rail polished stainless steel = EP

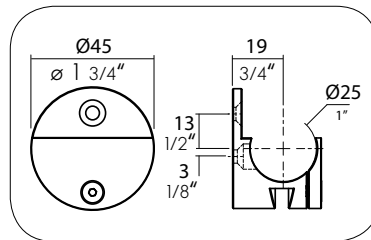
Track rail Baluga (w/o end caps)

110.00347	L: 118 1/8"	d: 1"	SSS, AISI304
110.00283	L: 144"	d: 1"	SSS, AISI304
110.00346	L: 118 1/8"	d: 1"	SSP, AISI304
110.00284	L: 144"	d: 1"	SSP, AISI304



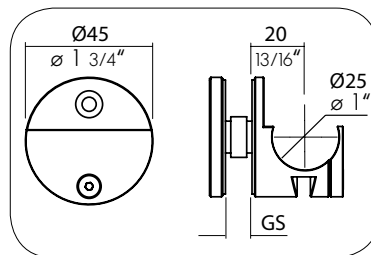
End caps (pair)  
for track rail Baluga

110.00014	satin stainless steel (AISI 304)
110.00252	stainless steel polished (AISI 304)



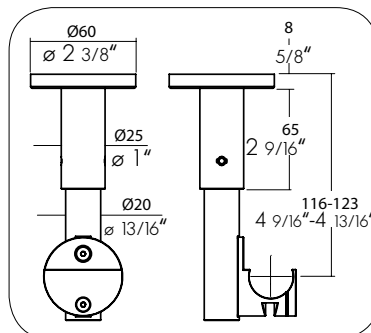
Wall mount Baluga

Art. No.:	Material
110.00015	satin stainless steel (AISI 304)
110.00252	stainless steel polished (AISI 304)



Glass wall mount Baluga

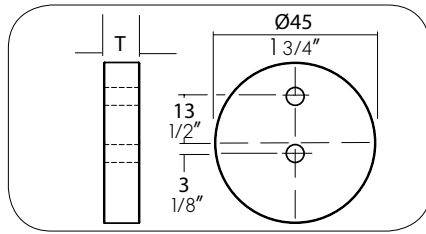
Art. No.:	Material
110.00018	satin stainless steel (AISI 304)
110.00255	stainless steel polished (AISI 304)



Ceiling mount Baluga

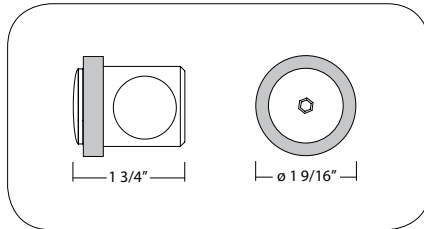
Art. No.:	Material
110.00256	stainless steel polished (AISI 304)

# Barn Door Hardware Baluga | Accessories



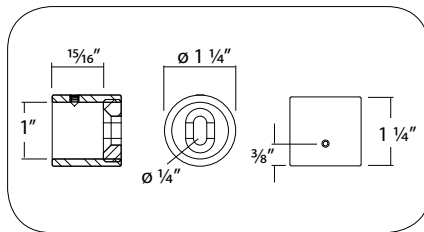
Spacer for wall or glass wall mount

Art. No.:	t	Material
110.00314	3/8"	satin stainless steel (AISI 304)
110.00315	3/4"	satin stainless steel (AISI 304)
110.00519	3/8"	polished stainless steel (AISI 304)
110.00520	3/4"	polished stainless steel (AISI 304)



Door stopper for trolleys

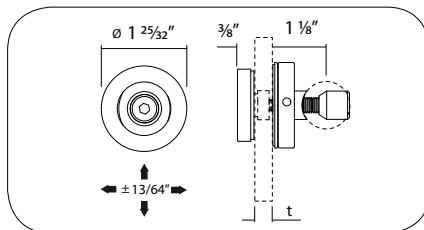
Art. No.:	Material
USO256EF	satin stainless steel (AISI 303) / rubber
USO256EP	stainless steel polished (AISI 303) / rubber



Wall mount, end face

for track rail (tubular) USO202EF  
attachment point can be adjusted using elongated hole (one piece)

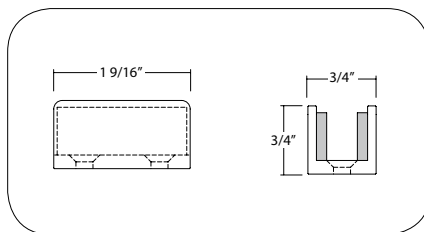
Art. No.:	Material
130.00003	satin stainless steel (AISI 303)
110.00521	polished stainless steel (AISI 303)



Glass mount, end face

for track rail (tubular) USO202EF  
attachment point can be adjusted using elongated hole, glass drill holes Ø 36/64"

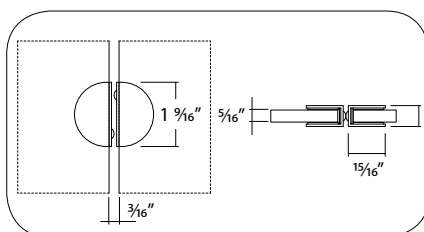
Art. No.:	Material
110.00190EF	satin stainless steel (AISI 304)
110.00190EP	polished stainless steel (AISI 304)



Bottom guide for glass door panels

for door panel thickness t = 5/16" - 1/2"  
with felt insert

Art. No.:	Material
USO261EF	satin stainless steel (AISI 304)
USO261EP	polished stainless steel (AISI 304)



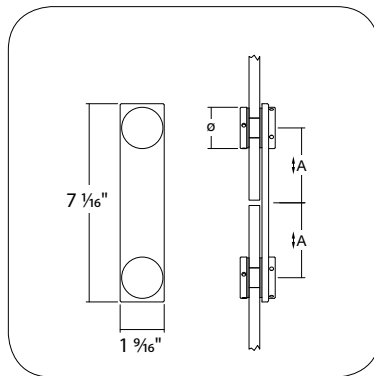
Door stopper set

1 pair for biparting glass panels  
to be placed on the glass edges

Art. No.:	GS	Surface
110.00286	1/2"	satin stainless steel
110.00285	3/8"	satin stainless steel
110.00288	1/2"	polished stainless steel
110.00287	3/8"	polished stainless steel

# Flatec Glass-Connectors | Glass/Glass

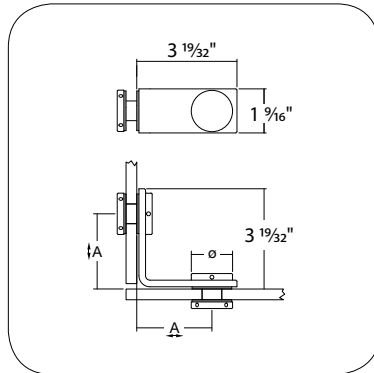
180° connector



Art. No.	ø	GS	A
USO272EF	1 1/2"	5/8" - 1/2"	2 11/16"

plain profile 7 1/16" x 1 9/16", chamfered framed edge (one-sided), material thickness  $t = 1/4"$   
 decorative caps ø 1 1/2" with 4 tightening holes  
 glass thickness  $GS = 5/8" - 1/2"$   
 (starting from 7/16" glass use thread pin M3/8" x 1")  
 glass protection set  
 satin stainless steel (AISI 303/304)  
 distance  $A \pm 5/64"$  adjustable  
 glass drilling ø 23/32" + 1/64"  
 mounting with ø 5/32" cylinder bolt or hook wrench - DIN 1816 (Art. No. Z924)

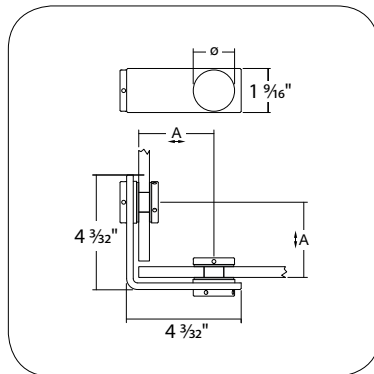
90° connector (inner angle)



Art. No.	ø	GS	A
USO274EF	1 1/2"	5/8" - 1/2"	2 11/16"

plain profile 3 19/32" / 3 19/32" x 19/16", chamfered framed edge (one-sided), material thickness  $t = 1/4"$   
 decorative caps ø 1 1/2" with 4 tightening holes  
 glass thickness  $GS = 5/16" - 1/2"$   
 (starting from 7/16" glass use thread pin M3/8" x 1")  
 glass protection set  
 satin stainless steel (AISI 303/304)  
 distance  $A \pm 1/8"$  adjustable  
 glass drilling ø 23/32" + 1/64"  
 mounting with ø 5/32" cylinder bolt or hook wrench - DIN 1816 (Art. No. Z924)

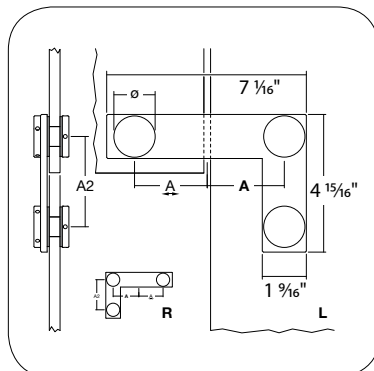
90° angle-connector (outer angle)



Art. No.	ø	GS	A
USO274EF-AB	1 1/2"	5/8" - 1/2"	2 11/16"

plain profile 4 3/32" / 4 3/32" x 19/16", chamfered framed edge (one-sided), material thickness  $t = 1/4"$   
 decorative caps ø 1 1/2" with 4 tightening holes  
 glass thickness  $GS = 5/16" - 1/2"$   
 (starting from 15/32" glass use thread pin M3/8" x 1")  
 glass protection set  
 satin stainless steel (AISI 303/304)  
 distance  $A \pm 1/8"$  adjustable  
 glass drilling ø 23/32" + 1/64"  
 mounting with ø 5/32" cylinder bolt or hook wrench - DIN 1816 (Art. No. Z924)

3-hole-connector skylight



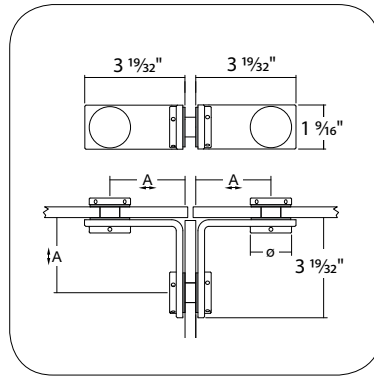
Art. No.	ø	GS	A	A2
USO275L-EF	1 1/2"	5/8" - 1/2"	2 11/16"	3 7/32"
USO275R-EF	1 1/2"	5/8" - 1/2"	2 11/16"	3 7/32"

plain profile 7 1/16" / 4 15/16" x 1 9/16", chamfered framed edge (one-sided), notice: right hand and left hand item!, material thickness  $t = 1/4"$   
 decorative caps ø 1 1/2" with 4 tightening holes  
 glass thickness  $GS = 5/16" - 1/2"$ , glass protection set  
 satin stainless steel (AISI 303/304)  
 distance A only one-sided  $\pm 1/8"$  adjustable (for skylight), the other one and A2 are fixed  
 glass drilling ø 23/32" + 1/64"  
 mounting with ø 5/32" cylinder bolt or hook wrench - DIN 1816 (Art. No. Z924)

# Flatec Glass-Connectors

## Glass - Glass

T-Connector (90° angle)

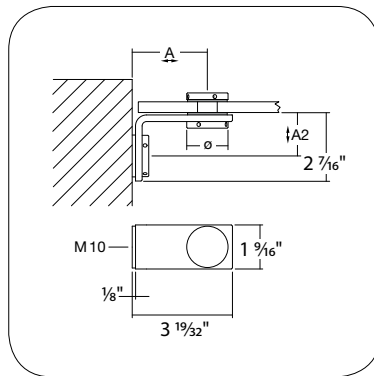


Art. No.	ø	GS	A
USO273EF	1 1/2"	5/6" - 1/2"	2 11/16"

2x plain profiles 3 19/32" / 3 19/32" x 1 9/16", chamfered framed edge (one-sided), material thickness  $t = 1/4"$ , decorative caps ø 1 1/2" with 4 tightening holes, glass thickness  $GS = 5/6" - 1/2"$  (starting from 3/8" glass use thread pin M3/8" x 1"), glass protection set  
 satin stainless steel (AISI 303/304)  
 distance  $A \pm 1/8"$  adjustable  
 glass drilling ø 23/32" + 1/64"  
 mounting with ø 5/32" cylinder bolt or hook wrench - DIN 1816 (Art. No. Z924)

## Glass - Wall

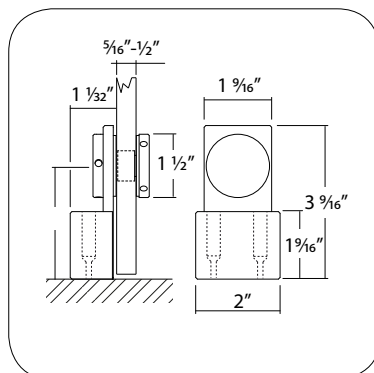
90° Connector



Art. No.	ø	GS	A	A2
USO270EF	1 1/2"	5/6" - 1/2"	2 11/16"	1 17/32"

plain profile 3 19/32" / 2 7/16" x 1 9/16", chamfered framed edge (one-sided), material thickness  $t = 1/4"$ , decorative caps ø 1 1/2" with 4 tightening holes, glass thickness  $GS = 5/6" - 1/2"$  (starting from 7/16" glass use thread pin M3/8" x 1"), glass protection set  
 satin stainless steel (AISI 303/304)  
 distance  $A \pm 1/8"$  adjustable  
 glass drilling ø 23/32" + 1/64"  
 mounting with ø 5/32" cylinder bolt or hook wrench - DIN 1816 (Art. No. Z924)

## Glass - Floor



Art. No.	ø	GS	A	A2
110.00155	1 1/2"	5/6" - 1/2"	2 11/16"	1 17/32"

plain profile 3 19/32" x 1 9/16", chamfered framed edge (one-sided), material thickness  $t = 1/4"$ , decorative caps ø 1 1/2" with 4 tightening holes, glass thickness  $GS = 5/6" - 1/2"$  (starting from 7/16" glass use thread pin M3/8" x 1"), glass protection set  
 satin stainless steel (AISI 303/304)  
 distance  $A \pm 1/8"$  adjustable  
 glass drilling ø 23/32" + 1/64"  
 mounting with ø 5/32" cylinder bolt or hook wrench - DIN 1816 (Art. No. Z924)

# Locking Pull System I

Easy and Safe Handling



## Features:

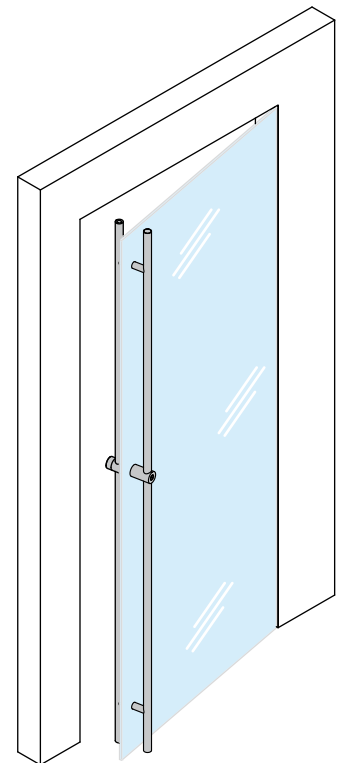
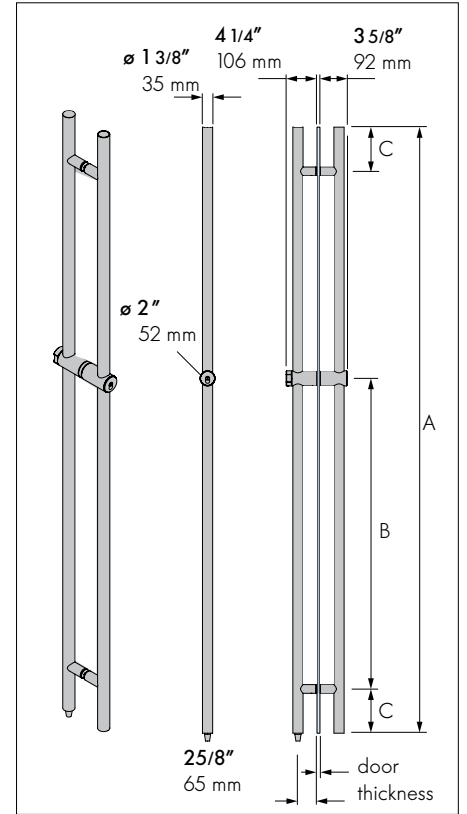
- Single sided ladder pull or back to back
- Key operation for SFIC (standard) or LFIC (optional adapter): thumb turn or dummy or privacy function
- Door type: 3/8" – 1/2" thick glass, 1 3/8" – 1 1/2" wood, aluminum or hollow metal
- Multiple locking options: floor, ceiling or floor
- Bolt location 42" from finished floor to centerline of bolt

## Benefits:

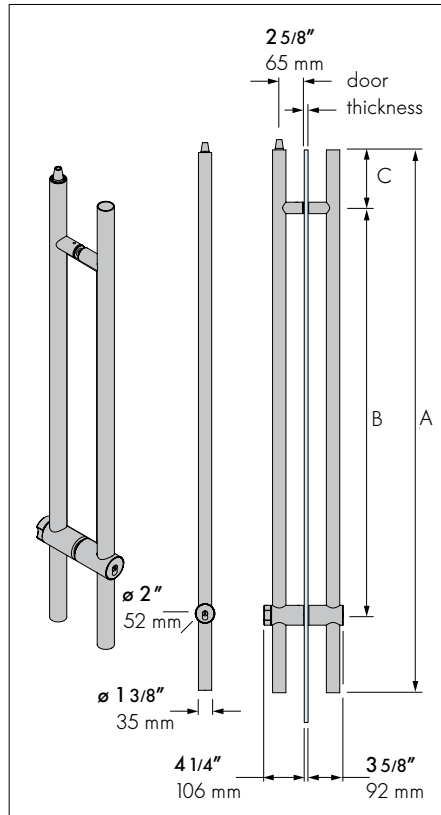
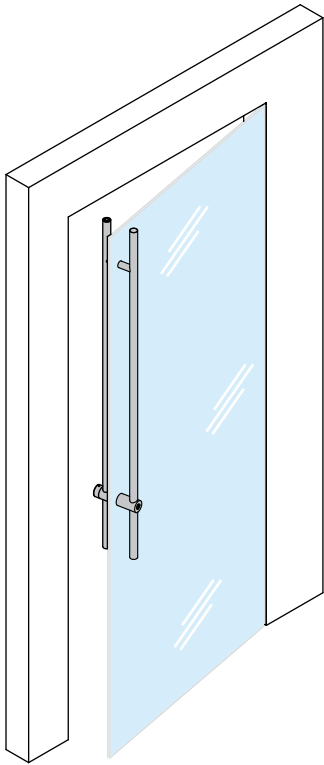
- Use your own SFIC or LFIC (optional) master key system
- Locking device tested through 200,000 cycles
- Self-blocking locking device / unique clutch system avoids lifting up the bolt
- ADA compliant: catch / lock height / low friction
- EOS-Concept
- Pushless function
- Use your own master key system
- Low friction
- Center support and drill template for sliding doors



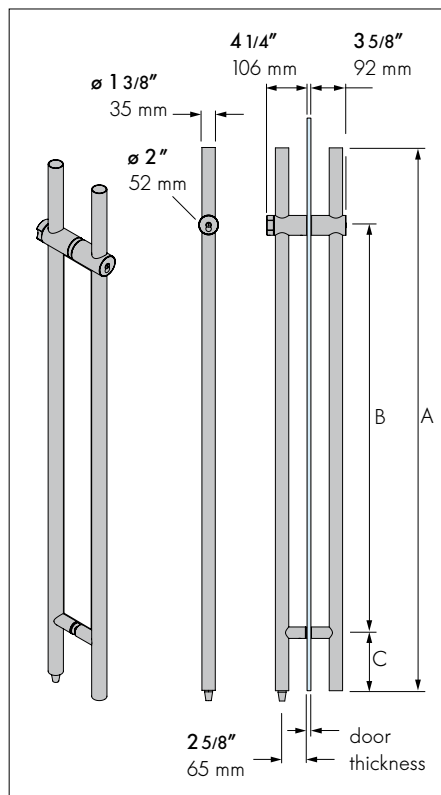
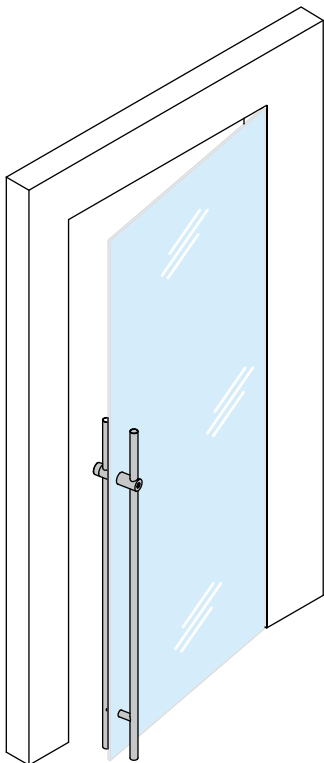
Full Height Pull – Dual (and customized Single) Bolt Models



## Half Height Pull – Bolts Up



## Half Height Pull – Bolts Down



## Technical Specifications | Aesthetic Finish



Non-locking pull  
(Standard)



Thumb turn inside /  
 privacy function outside  
(Standard)



Key operated lock outside /  
 turning knob inside  
(Standard)



Key operated lock outside /  
 dummy inside  
(optional)

The general finish for all of our stocked locking ladder pulls is satin stainless steel. Its fine brushed surface offers a smooth feel during handling of the pull. The finish of these handles along with our other product groups is stainless steel, i.e. barndoor hardware, base bottom rollers, sliding shower door hardware, flush pull and pull handle.

As a customized finish, we offer some of the locking ladder pulls in polished stainless steel. The polished surface expresses a bright shine for the designed situation. Our own polishing department allows us to satisfy the most of customs request.



As a customized finish, we offer some of the locking ladder pulls in polished stainless steel or black.

Leather gives a door handle a particularly refined look and a pleasant feeling. The aesthetic finish allows the designer the intimitilby and personal signature.



---

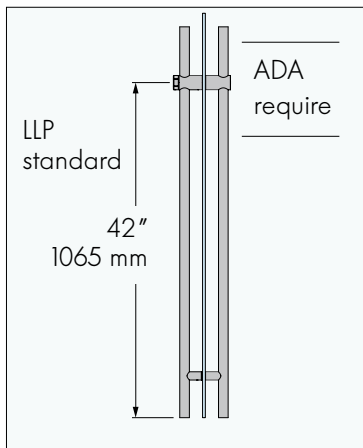
## ADA Options

For ADA compliance it is necessary to enable different functionalities. All of the options listed below are available for customized locking pulls.



Catch (optional):

For the turn knob side, we offer a catch. This catch – developed by our own designer – enables a person with disabilities to turn it easily.



Location of the lock:

For people with disabilities the lock for a door must be located between 34" and 46" above the finished floor. The lock location of all of our locking pulls is 42" and complies with ADA requirements.

Pushless function

Pushless function:

With our coupling it is possible to open and lock the pulls without push or pull, only with a turn. You can feel this high-tech engineering work at every turn.

## Easy Operating Concept



### SFIC-Master Key System:

Use your own SFIC-Cylinder! Or do you need to install a complete SFIC-master key system into the building? No problem! Our patented construction fits to all your needs.



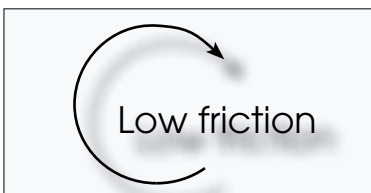
### LFIC-Adapter and Master Key System:

Quite often official buildings are equipped with LFIC and LFIC-master key systems. With our locking pulls it is possible to change from SFIC to LFIC. Our engineers have developed an adapter (optional) to switch between both locks. Ask your installer or distributor for the change from SFIC to LFIC.



### Center support & drill template:

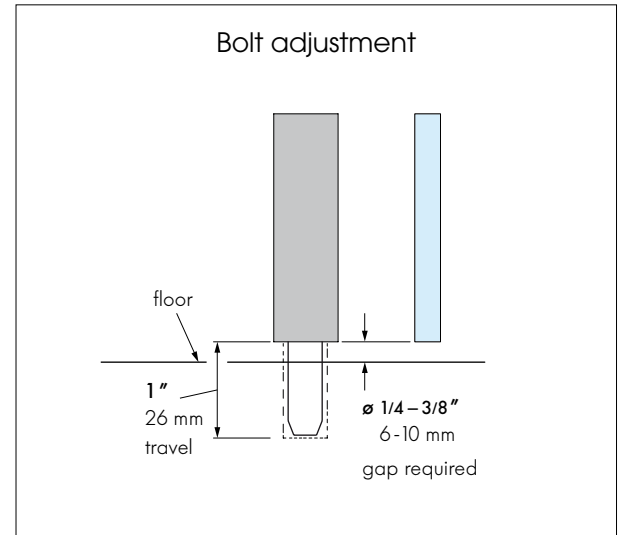
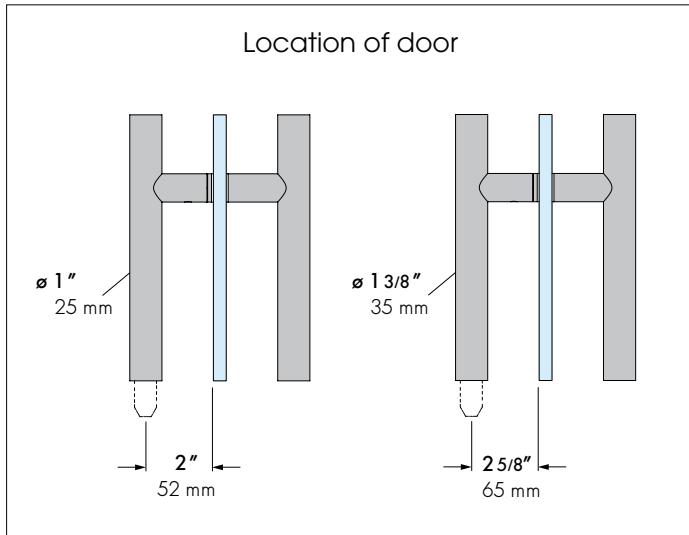
Additionally we offer a center support for sliding doors. The center support stops the door panel at a defined position. This makes it easier to place the deadbolt into the dust proof strike. A template helps to drill the hole for center support and dustproof strike at the right distance.



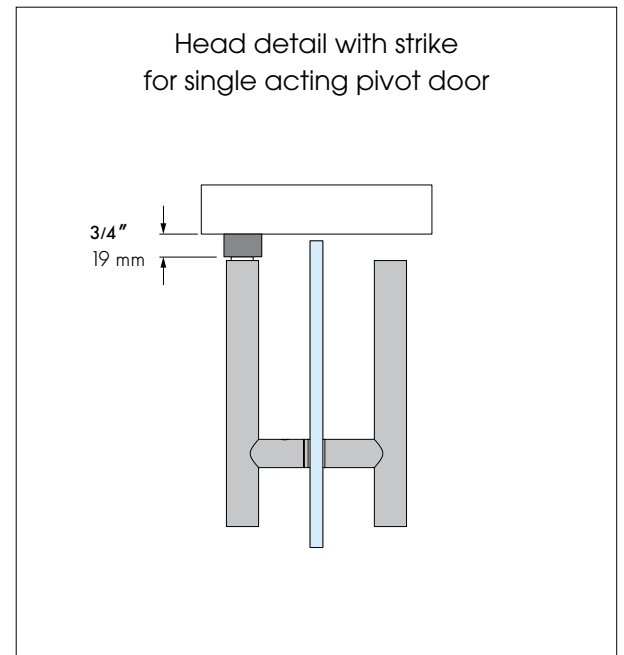
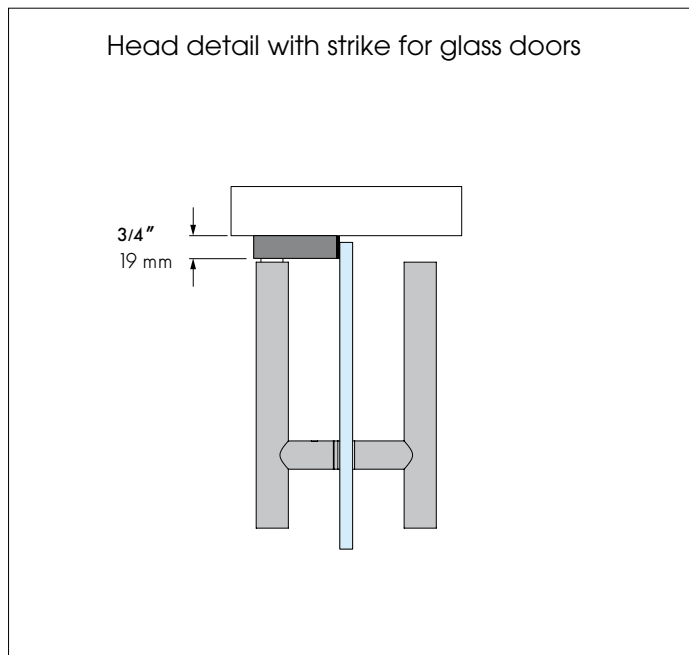
### Easy turn:

Our locking pulls are engineered for a low friction during rotation. Due to our specialized and high quality production equipment they are able to offer a smooth circular motion. (Good quality of the SFIC/LFIC cylinder is required)

# Technical Specifications



Locking ladder pulls are available for 3/8" – 1/2" thick glass or 1 1/2" – 1 3/4" thick aluminum, wooden or hollow metal door.



## Full Height Pull – Dual (and customized Single) Bolt Models



Order/ Request: \_\_\_\_\_

Inquiry: \_\_\_\_\_

Quantity: \_\_\_\_\_

Model: \_\_\_\_\_

Dual Bolt

Bolt up

Bolt down

Dimensions:

A \_\_\_\_\_

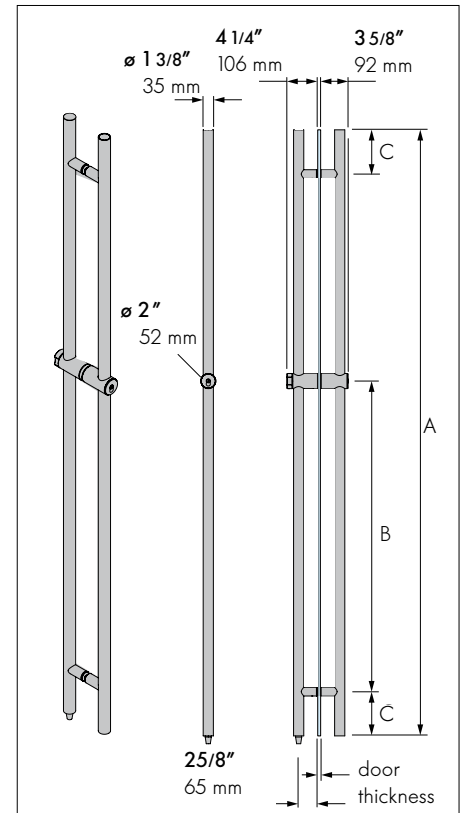
B \_\_\_\_\_

C \_\_\_\_\_

D \_\_\_\_\_

SFIC

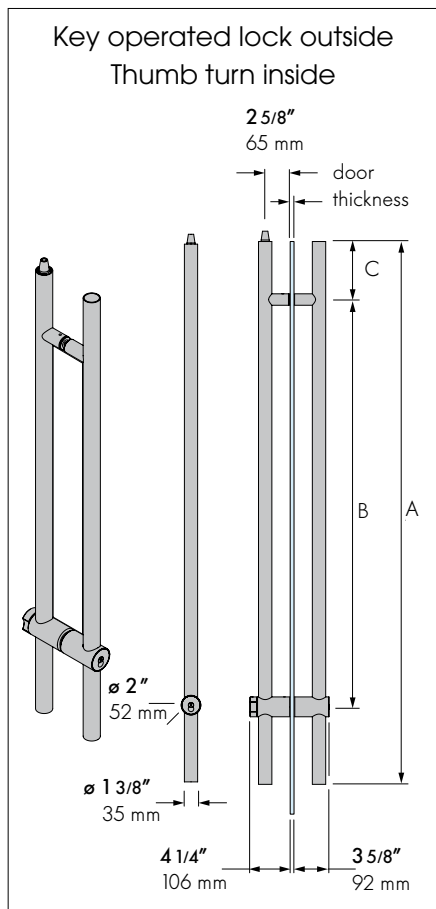
LFIC



Color:

- Satin satin stainless steel
- Polished polished stainless steel
- Black stainless steel, black coated
- Leather upon customer request

# Half-Height Pull, Bolt Up



LLP half height pull, bolt up

Dimensions:

A	B	C
Spec	Spec	6"

Glass door thickness: 3/8" – 1/2"

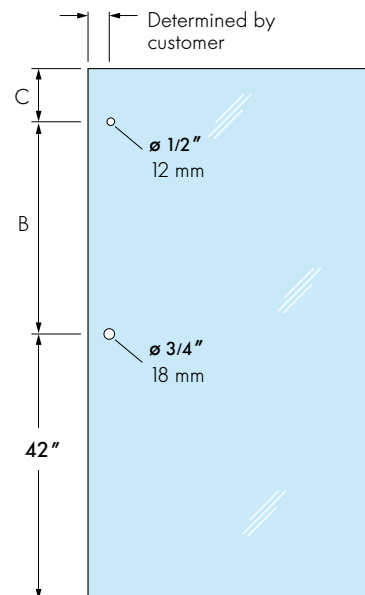
Art. No.: description  
143.00001 key operated lock outside/thumb turn inside

Wooden door thickness: 1 1/2" – 1 3/4"

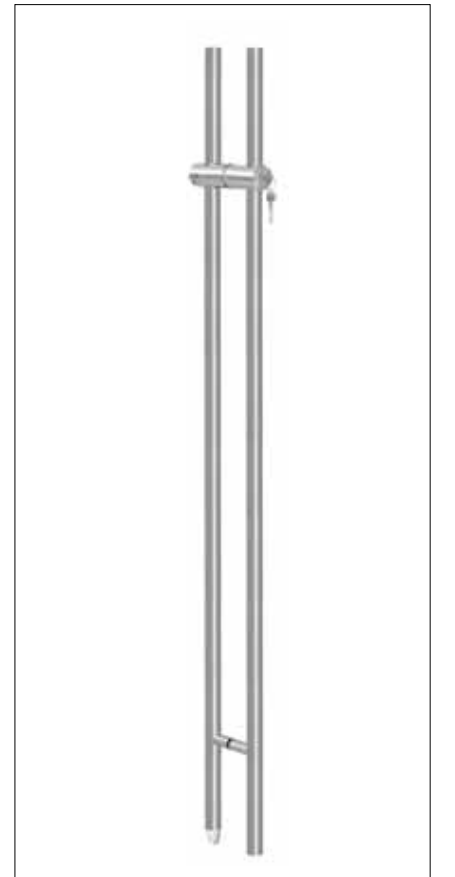
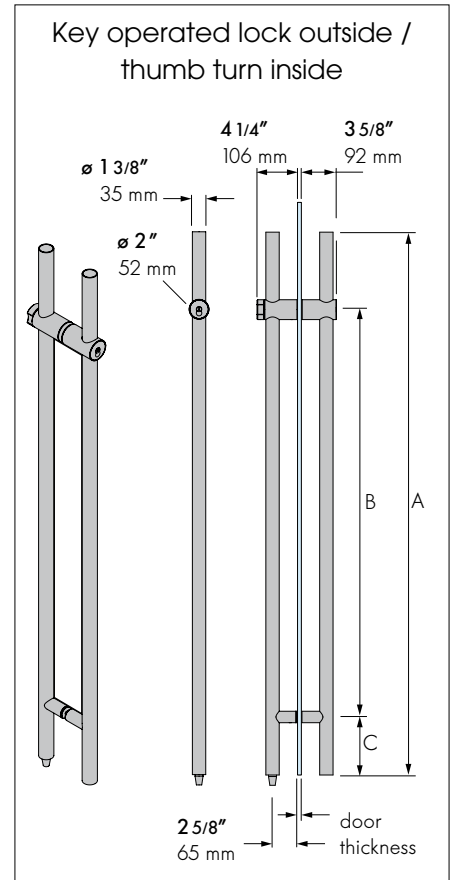
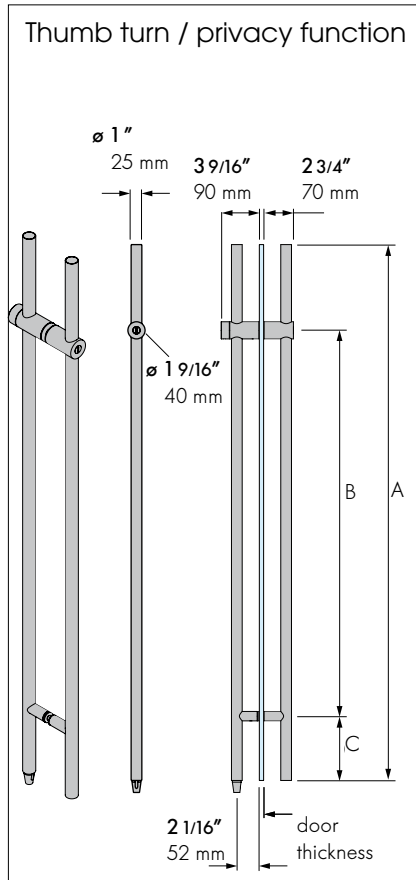
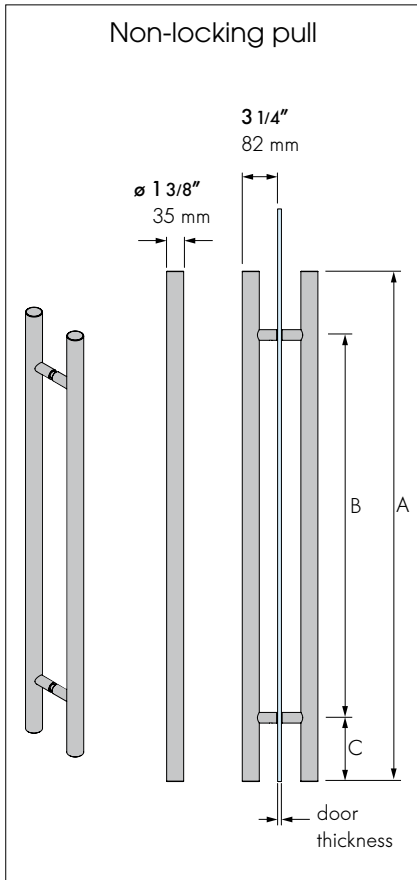
Art. No.: description  
143.00002 key operated lock outside/thumb turn inside



Ladder pull  
Glass cutout template



# 49" Half-Height Pull Down



# 49" Half-Height Pull Down

## Non-locking pull

Dimensions: A = 49", B = 36", C = 6"

Glass Door	
Surface	
satin stainless steel	143.00003
stainless steel, polished	143.00063
Steel, black powdered	143.00066

Wooden Door	
Surface	
satin stainless steel	143.00007

## Thumb turn / privacy function

Dimensions: A = 49", B = 36", C = 6"

Glass Door	
Surface	
satin stainless steel	143.00004
stainless steel, polished	143.00064
steel, black powdered	143.00067

Wooden Door	
Surface	
satin stainless steel	143.00008

## Key operated lock outside / thumb turn inside

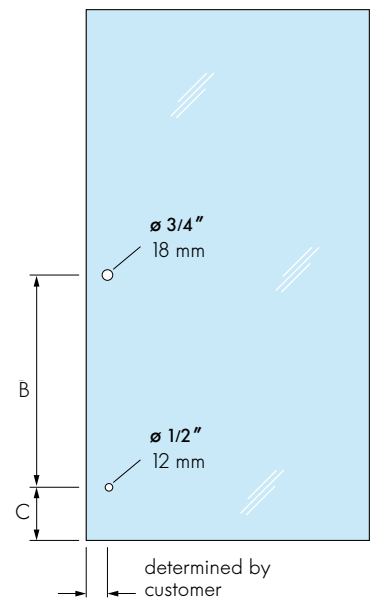
Dimensions: A = 49", B = 36", C = 6"

Glass Door	
Surface	
satin stainless steel	143.00005
stainless steel, polished	143.00065
steel, black powdered	143.00068

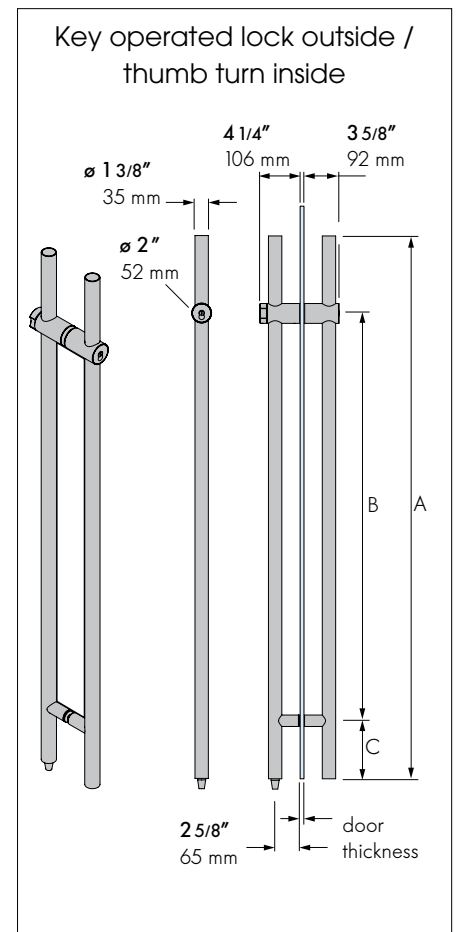
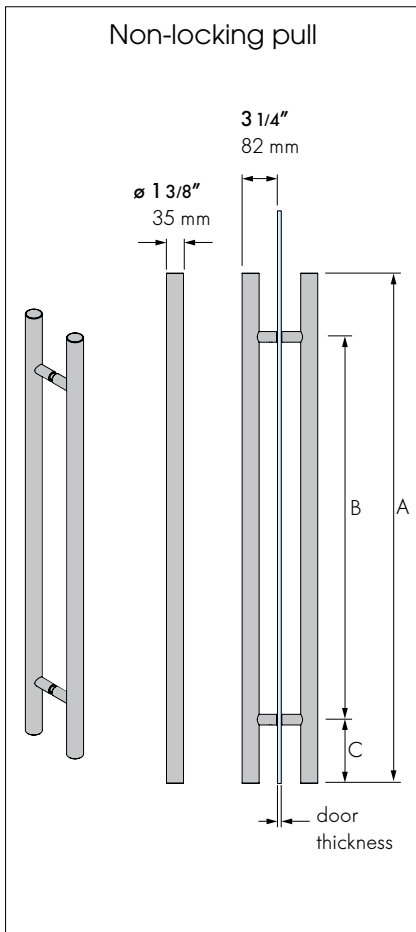
Wooden Door	
Surface	
satin stainless steel	143.00009



49" ladder pull  
glass cutout template



# 54" Half-Height Pull Down



54" half height pull, bolt down

Dimensions:

A	B	C
54"	36"	6"

glass door thickness: 3/8" – 1/2"

Art. No.: description

143.00011 non-locking pull

143.00013 key operated lock outside/thumb turn inside

wooden door thickness: 1 1/2" – 1 3/4"

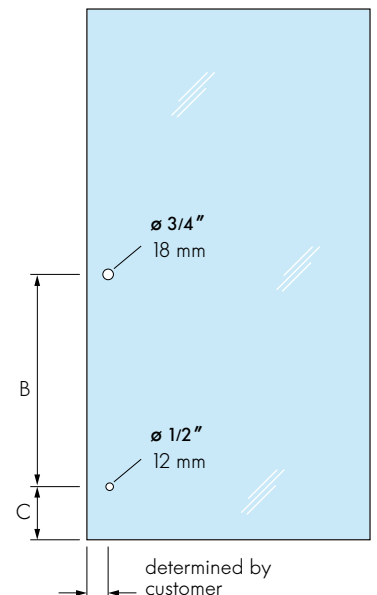
Art. No.: description

143.00014 non-locking pull

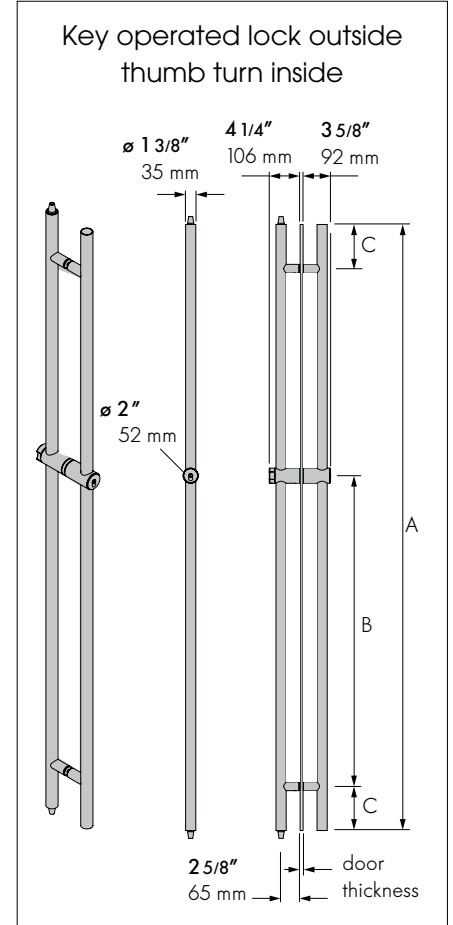
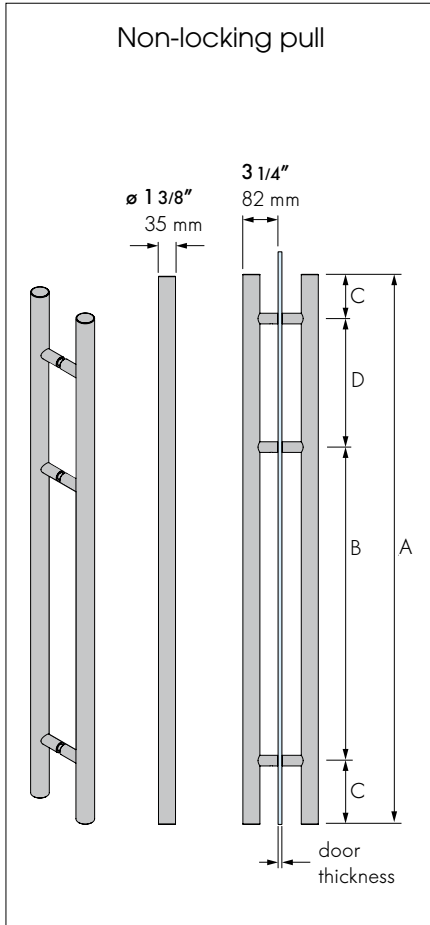
143.00016 key operated lock outside/thumb turn inside

model options for 54" height	stock	customized
back to back locking ladder pull		
non-locking pull		X
SFIC – thumb turn	X	

54" ladder pull  
 glass cutout template



# 60" Half-Height Pull Down



60" half height pull, bolt down

Dimensions:

A	B	C
60"	36"	6"

glass door thickness: 3/8" – 1/2"

Art. No.: description

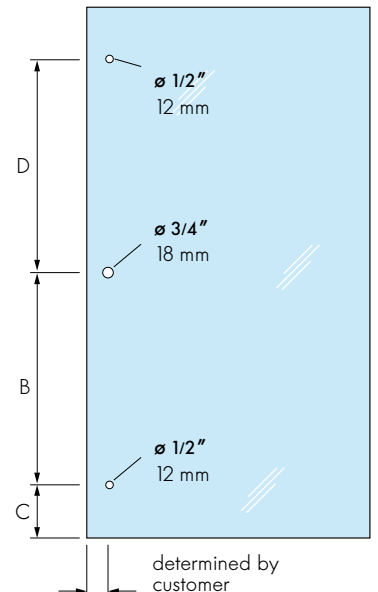
143.00020	non-locking pull
143.00022	key operated lock outside/thumb turn inside

Wooden door thickness: 1 1/2" – 1 3/4"

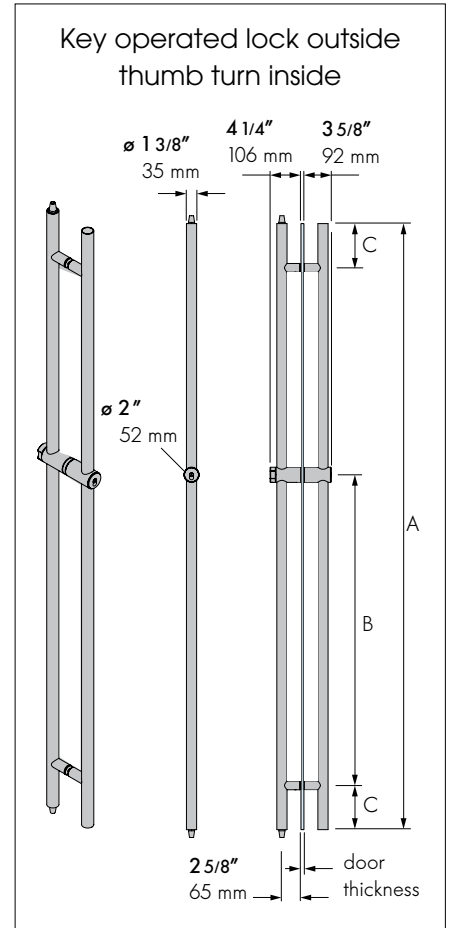
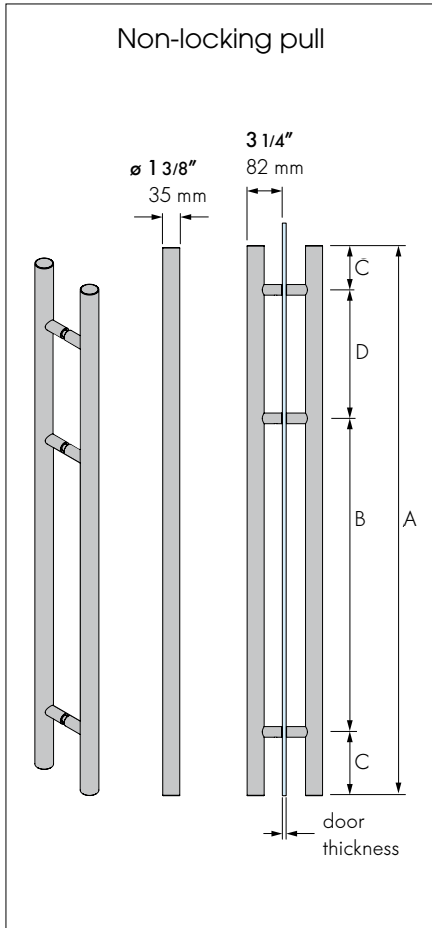
143.00024	non-locking pull
143.00026	key operated lock outside/thumb turn inside

model options for 60" height	stock	customized
back to back locking ladder pull		
non-locking pull		X
SFIC – thumb turn	X	

60" ladder pull  
glass cutout template



# 72" Full-Height Pull Down



72" full height pull, bolt down

Dimensions:

A	B	C
72"	36"	6"

glass door thickness: 3/8" – 1/2"

Art. No.: description

143.00028	non-locking pull
143.00030	key operated lock outside/thumb turn inside

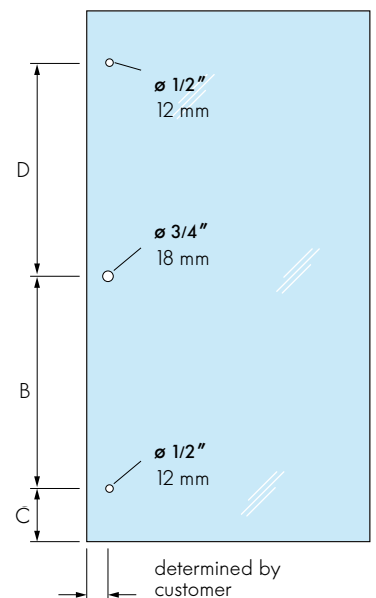
Wooden door thickness: 1 1/2" – 1 3/4"

143.00032	non-locking pull
143.00034	key operated lock outside/thumb turn inside

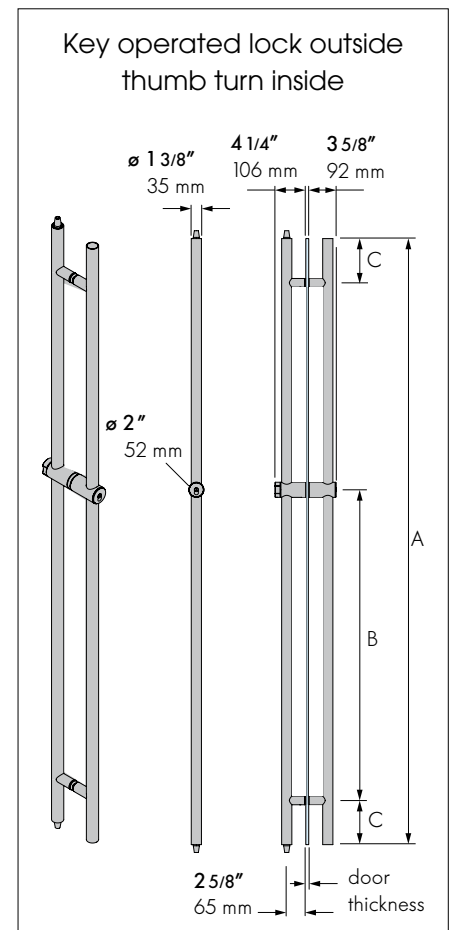
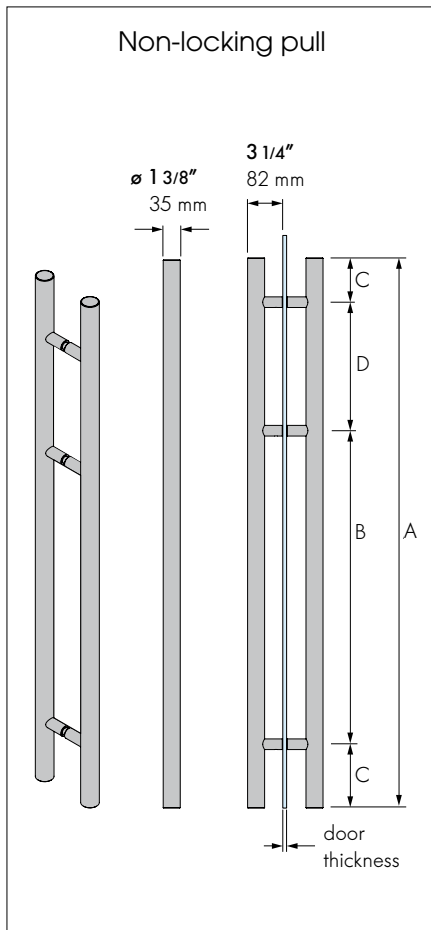
model options for 72" height	stock	customized
back to back locking ladder pull		
non-locking pull		X
SFIC – thumb turn	X	

72" ladder pull

glass/wood cutout template



# 84" Full-Height Pull Down



84" full height pull, bolt down

Dimensions:

A	B	C
84"	36"	6"

glass door thickness: 3/8" – 1/2"

Art. No.: description

143.00037 non-locking pull

143.00039 key operated lock outside/thumb turn inside

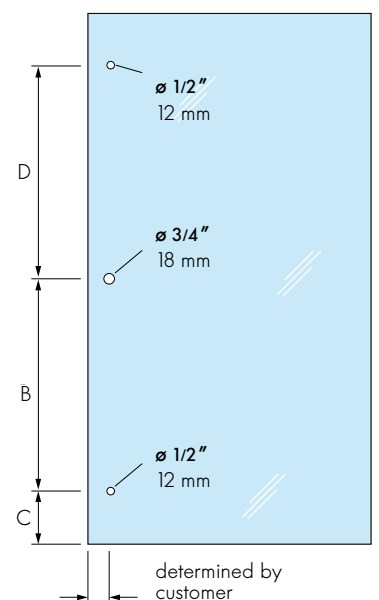
wooden door thickness: 1 1/2" – 1 3/4"

143.00041 non-locking pull

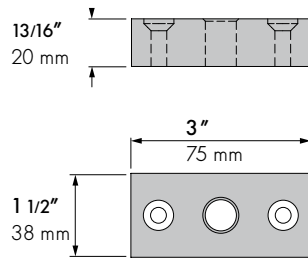
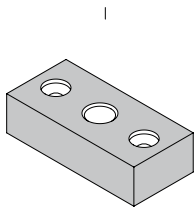
143.00043 key operated lock outside/thumb turn inside

model options for 84" height	stock	customized
back to back locking ladder pull		
non-locking pull		X
SFIC-thumb turn	X	

84" ladder pull  
glass cutout template



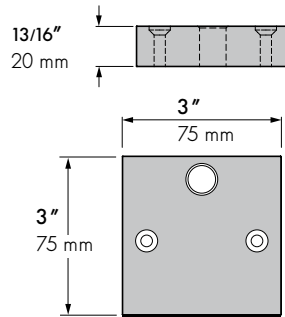
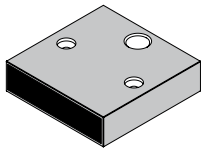
# Top Strikes



Strike for wooden or aluminum-frame door  
 (single active pivot)

Art. No.:	L:	W:	H:
143.00046	3"	1 1/2"	13/16"

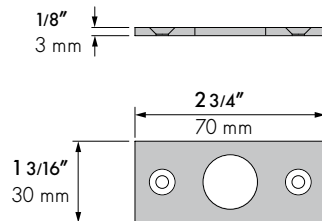
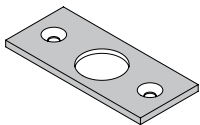
Aluminum anodized, stainless steel optic



Strike for glass door (single active pivot)

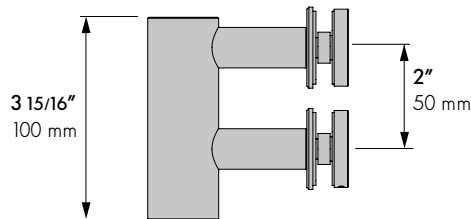
Art. No.:	L:	W:	H:
143.00045	3"	3"	13/16"

Aluminum anodized, stainless steel optic, rubber



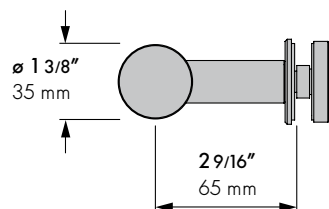
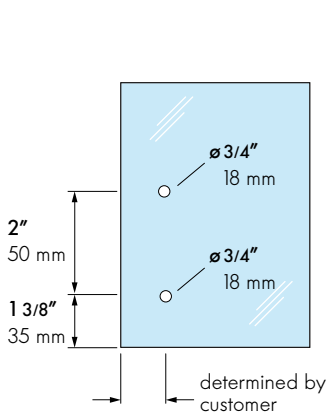
Strike, satin stainless steel ( AISI304)

Art. No.:	L:	W:	H:
143.00047	2 3/4"	1 3/16"	1/8"

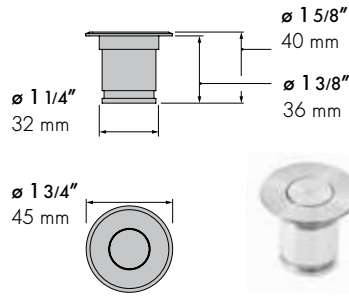


Strike for glass panel, satin stainless steel (AISI 304)

Art. No.:	L:	D:	C/C:
143.00055	3 5/16"	1 3/8"	2"



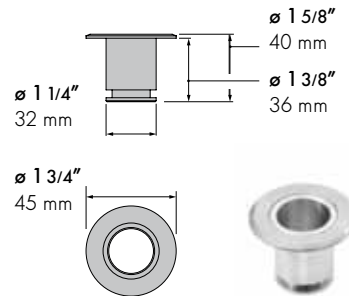
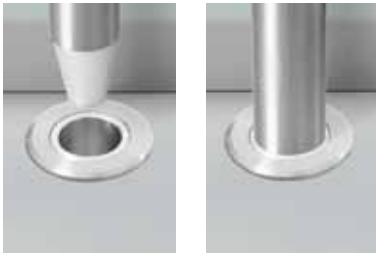
# Bottom Strikes



Dust-proof strike for 7/8" bolt  
Art. No.:    Material

143.00053	satin stainless steel
143.00069	polished stainless steel
143.00070	stainless steel, black coated

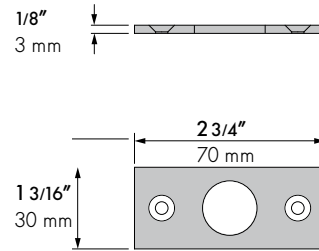
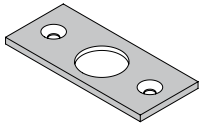
D: 1 3/4", d: 1 1/4", T: 1 5/8"  
drill hole  $\varnothing$  1 3/8" x 1 3/4"  
material: satin stainless steel (AISI 303), aluminum



Strike for 7/8" bolt

Art. No.:	D	d	T
143.00052	1 3/4"	1 1/4"	1 5/8"

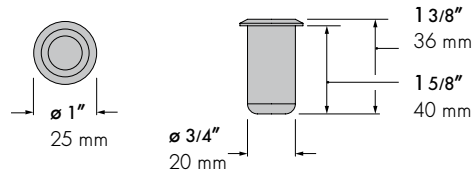
drill hole  $\varnothing$  1 3/8" x 1 3/4"  
material: satin stainless steel (AISI 303), aluminum



Strike (additional plate) for 1/2" Bolt

Art. No.:	L	W	t
143.00051	2 3/4"	1 1/4"	1/8"

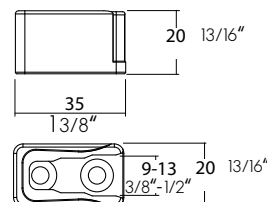
suitable for 143.00049  
material: satin stainless steel (AISI 303)



Dust-proof strike for 1/2" Bolt  
useable only optional for locking ladder pull

Art. No.:	D	d	T
143.00049	1"	1/2"	1 5/8"

material: steel, nickel-plated

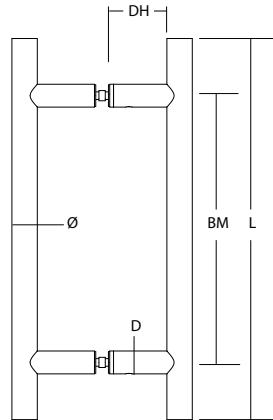


Stopper for sliding glass doors with positioning for LLP

Art. No.:	Material
143.00073	satin stainless steel
143.00071	polished stainless steel
143.00072	stainless steel, black coated

t: 3/8", GS: 3/8" - 1/2"  
drill hole  $\varnothing$  1 3/8" x 1 3/4"  
material: satin stainless steel (AISI 303), aluminum

## Econo-Line Pull Handle



### Impero - EconoLine

for glass doors  $t = 5/16'' - 1/2''$ , handle bar tube  $\varnothing 1''$   
 Satin Stainless Steel (AISI304)

Art. No.:	L	c/c	D
140.00721	16"	8"	1 1/4"
140.00722	24"	12"	1 1/4"
140.00723	36"	24"	1 1/4"
140.00724	48"	36"	1 1/4"

polished stainless steel (AISI 304)

Art. No.:	L	c/c	D
140.00725	16"	8"	1 1/4"
140.00726	24"	12"	1 1/4"
140.00727	36"	24"	1 1/4"
140.00728	48"	36"	1 1/4"

material: stainless steel (AISI 304)  
 supports D = stainless steel, solid  
 passage height DH = 1 25/32"  
 includes fastener set  
 welded endcaps

DH = passage height | c/c = drilling distance



# Handle Bar



## Beluga

handle bar  $\varnothing$  20 mm, solid, welded

Glass doors

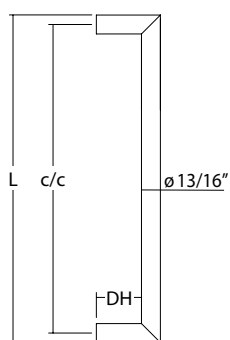
Art. No.: Single handle	Art. No.: in pairs	$\varnothing$	L	c/c
SG300-20EF-SG	SG300-20EF-PG	13/16"	11 13/16"	11 1/64"
SG400-20EF-SG	SG400-20EF-PG	13/16"	15 3/4"	14 15/16"
SG500-20EF-SG	SG500-20EF-PG	13/16"	19 11/16"	18 7/8"
SG600-20EF-SG	SG600-20EF-PG	13/16"	23 5/8"	22 13/16"
SG900-20EF-SG	SG900-20EF-PG	13/16"	35 7/16"	34 5/8"
SG1200-20EF-SG	SG1200-20EF-PG	13/16"	47 1/4"	46 7/16"

Wooden doors

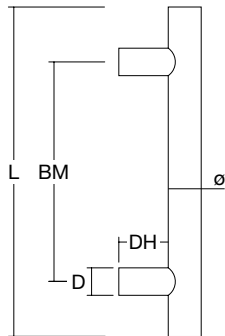
Art. No.: Single handle	Art. No.: in pairs	$\varnothing$	L	c/c
SG300-20EF-SW	SG300-20EF-PW	13/16"	11 13/16"	11 1/64"
SG400-20EF-SW	SG400-20EF-PW	13/16"	15 3/4"	14 15/16"
SG500-20EF-SW	SG500-20EF-PW	13/16"	19 11/16"	18 7/8"
SG600-20EF-SW	SG600-20EF-PW	13/16"	23 5/8"	22 13/16"
SG900-20EF-SW	SG900-20EF-PW	13/16"	35 7/16"	34 5/8"
SG1200-20EF-SW	SG1200-20EF-PW	13/16"	47 1/4"	46 7/16"

passage height DH = 1 49/64"

tubular thickness  $t$  = 5/64" mm, satin stainless steel (AISI 304)



# Push Handles



## Impero ø 1"

for glass doors

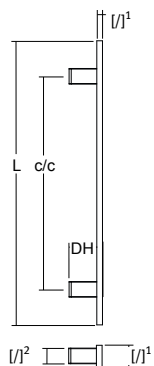
Art. No.: Single Handle	Art. No.: Handle set	L	c/c
SI300-25EF-SG	SI300-25EF-PG	11 13/16"	8 1/4"
SI400-25EF-SG	SI400-25EF-PG	15 3/4"	11 13/16"
SI500-25EF-SG	SI500-25EF-PG	19 11/16"	13 3/4"
SI600-25EF-SG	SI600-25EF-PG	23 5/8"	15 3/4"
SI900-25EF-SG	SI900-25EF-PG	35 7/16"	27 9/16"
SI1200-25EF-SG	SI1200-25EF-PG	47 1/4"	35 7/16"

for glass doors

Art. No.: Single Handle	Art. No.: Handle set	L	c/c
SI300-25EF-SW	SI300-25EF-PW	11 13/16"	8 1/4"
SI400-25EF-SW	SI400-25EF-PW	15 3/4"	11 13/16"
SI500-25EF-SW	SI500-25EF-PW	19 11/16"	13 3/4"
SI600-25EF-SW	SI600-25EF-PW	23 5/8"	15 3/4"
SI900-25EF-SW	SI900-25EF-PW	35 7/16"	27 9/16"
SI1200-25EF-SW	SI1200-25EF-PW	47 1/4"	35 7/16"

passage height DH = 1 3/4"

material thickness t = 5/64", satin stainless steel (AISI 304),  
 distance D: ø 7/8", satin stainless steel (AISI 303), solid  
 glass drill holes ø 9/16", wood drill holes ø 1/2"



## Level

handle bar [1] 5/6" / 1 3/16", solid

Art. No.:	Art. No.:	handle bar [1]	L	c/c
140.00612	140.00613	5/6" / 1 3/16"	15 3/4"	11 13/16"
140.00614	140.00615	5/6" / 1 3/16"	23 5/8"	19 11/16"
140.00616	140.00617	5/6" / 1 3/16"	35 7/16"	23 5/8"
140.00618	140.00619	5/6" / 1 3/16"	47 1/4"	35 7/16"

passage height DH = 1 3/4"

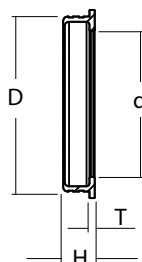
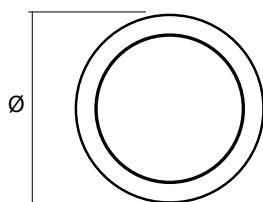
supports [2] = 56/64" x 56/64",

satin stainless steel (AISI 303), solid

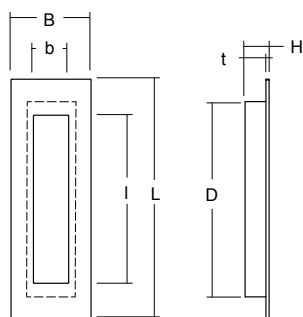
handle bar: satin stainless steel (AISI 304), tube

## Flush Pulls

Flush pull for wooden doors  
with harpoon strip for pressing



Art. No.:	Material
140.00718	satin stainless steel AISI 304
140.00729	polished stainless steel AISI 304
140.00730	stainless steel, black coated
$\varnothing = 2\frac{9}{16}"$ (64,5 mm)	
$d = 2"$ (50 mm)	
$D = 2\frac{3}{8}"$ (60 mm)	
$T = \frac{1}{16}"$ (2 mm)	
$H = \frac{7}{16}"$ (11 mm)	

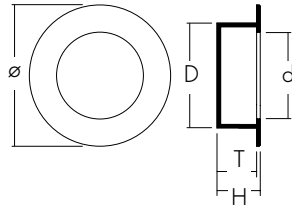


### Flush Pull

Art. No.:	Material
GR150.1-13EF	satin stainless steel
142.00009	stainless steel, black
rectangle flush pull for wooden doors	
satin stainless steel (AISI 304)	
drill hole depth $t = \frac{33}{64}"$	
$L \times B: 5\frac{29}{32}" \times 1\frac{31}{32}"$	
$b: 4\frac{9}{64}" \times 5\frac{5}{64}"$	
$H: \frac{19}{32}"$	
$D: 4\frac{51}{64}" \times 1\frac{3}{16}"$	

Surface in polished stainless steel or  
stainless steel, dark bronze on request

## Flush Pulls



### Flush Pull Rondo

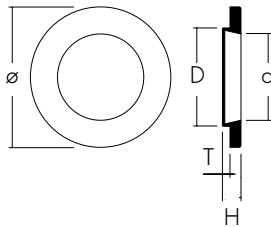
Drill hole depth  $T = 5/32''$ , wide border

Art. No.:	ø	d	D	T	H
GM70-4EF	2 3/4"	ø 1 3/4"	ø 2"	5/32"	1/4"
GM90-4EF	3 35/64"	ø 2 9/16"	ø 2 3/4"	5/32"	1/4"
GM125-4EF	4 59/64"	ø 4"	ø 4 11/64"	5/32"	1/4"

Drill hole depth  $T = 36/64''$ , wide border

Art. No.:	ø	d	D	T	H
GM70-14EF	2 3/4"	ø 1 3/4"	ø 2"	36/64"	40/64"
GM90-14EF	3 35/64"	ø 2 9/16"	ø 2 3/4"	36/64"	40/64"
GM125-14EF	4 59/64"	ø 4"	ø 4 11/64"	36/64"	40/64"

flush pull for glass and wooden doors, wide border  
satin stainless steel (AISI 303)  
turned from solid stainless steel

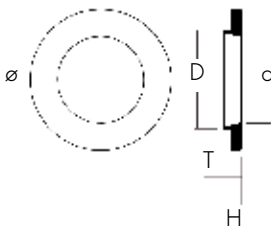


### Flush pull Diskus

drill hole depth  $T = 9/64''$ , wide border

Art. No.:	ø	ø d	ø D	T	H
GO60-4EF	2 3/8"	1 5/8"	1 15/16"	9/64"	3/8"
GO70-4EF	2 3/4"	1 21/32"	1 59/64"	9/64"	3/8"
GO90-4EF	3 35/64"	2 7/16"	2 23/32"	9/64"	3/8"
GO90-4DB	3 35/64"	2 7/16"	2 23/32"	9/64"	3/8"

for glass doors, drill hole depth  $T = 9/64''$   
satin stainless steel (AISI 303)  
turned from solid stainless steel



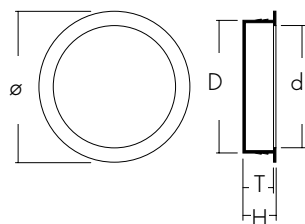
### Flush pull Diskus (pair)

drill hole depth  $T = 9/64''$

ø	ø d	ø D	T	H
2"	1 21/32"	1 59/64"	9/64"	3/8"
2"	1 21/32"	1 59/64"	9/64"	3/8"

Art. No.:	Material
142.00002	Aluminum anodized
142.00007	Aluminum black coated
142.00010	Satin stainless steel

for glass and wooden doors  
aluminum, natural, anodized, satin stainless steel



### Flush pull Kambium for wooden doors

drill hole depth  $T = 36/64''$

Art. No.:	ø	ø d	ø D	T	H
GN50-14EF	2"	1 27/64"	1 21/32"	36/64"	19/32"
GN75-14EF	2 61/64"	2 13/32"	2 41/64"	36/64"	19/32"
GN75-14DB	2 61/64"	2 13/32"	2 41/64"	36/64"	19/32"

push-in pull (ø 2 22/32")  
satin stainless steel (AISI 303)  
turned from solid stainless steel

# Leather Handles



## Handcrafted Architectural Hardware

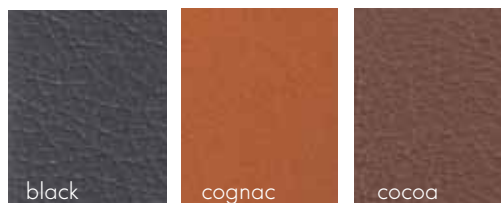
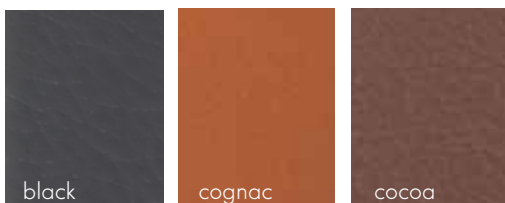
Leather gives a door handle a particularly refined look and a pleasant feel. Our high quality leather is very wear resistant. We can offer two grades of leather:

### Classic smooth leather:

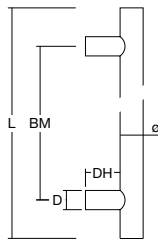
A cowhide tanned using pure plant ingredients with a light waxy feel. Our leather is even more wear resistant thanks to specific fatty substances. Small scratches and scarring may occur due to the nature of the material.

### Classic nappa:

A drum-dyed, full grain cowhide. An elegant finish makes the leather easy to maintain and dirt-repellent. The typical leather character of a warm, soft feel distinguishes this leather type.



## Pull Handle



### Impero – pull handle

pull handle  $\varnothing$  1 3/16", polished stainless steel  
 L = 21 15/32" , BM = 15 3/4"

for glass doors:

Art. No.: single handle	Art. No.: in pairs	
SI545-30EP-SG-L039	SI545-30-EP-PG-L039	cocoa, double stitch
SI545-30-EP-SG-L042	SI545-30-EP-PG-L042	black, plain

for wooden doors:

Art. No.: single handle	Art. No.: in pairs	
SI545-30EP-SW-L039	SI545-30-EP-PW-L039	cocoa, double stitch
SI545-30-EP-SW-L042	SI545-30-EP-PW-L042	black, plain

passage height DH = 1 25/32"

supports D =  $\varnothing$  1", polished stainless steel (AISI 303), solid  
 with sewed leather or unvisible seam covered  
 polished stainless steel (AISI 303), solid  
 leather: classic nappa

### SCI – pull handle

pull handle  $\varnothing$  1 3/16", polished or satin stainless steel  
 L = 21 15/32" , BM = 15 3/4"

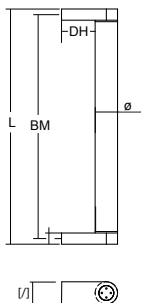
for glass doors:

Art. No.: single handle	Art. No.: in pairs
SC315-30EF-SG-L039	SC315-30-EF-PG-L039
leather cocoa, satin stainless steel	
SI545-30EP-SG-L039	SI545-30-EP-PG-L039
leather cocoa, polished stainless steel	
SC315-30EF-SG-L042	SC315-30-EF-PG-L042
leather black, satin stainless steel	
SC315-30EP-SG-L042	SC315-30-EP-PG-L042
leather black, polished stainless steel	

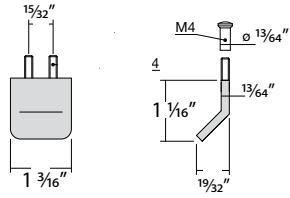
for wooden doors:

Art. No.: Single handle	Art. No.: in pairs
SC315-30EF-SW-L039	SC315-30-EF-PW-L039
leather cocoa, satin stainless steel	
SI545-30EP-SW-L039	SI545-30-EP-PW-L039
leather cocoa, polished stainless steel	
SC315-30EF-SW-L042	SC315-30-EF-PW-L042
leather black, satin stainless steel	
SC315-30EP-SW-L042	SC315-30-EP-PW-L042

leather black, polished stainless steel  
 passage height DH = 1 25/32"  
 supports D = 1 3/16" x 9/16"  
 solid stainless steel (AISI 304) satin or polished  
 leather: classic nappa



# Grip straps

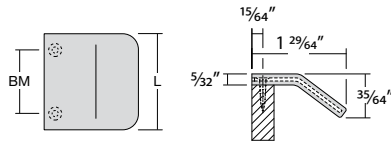
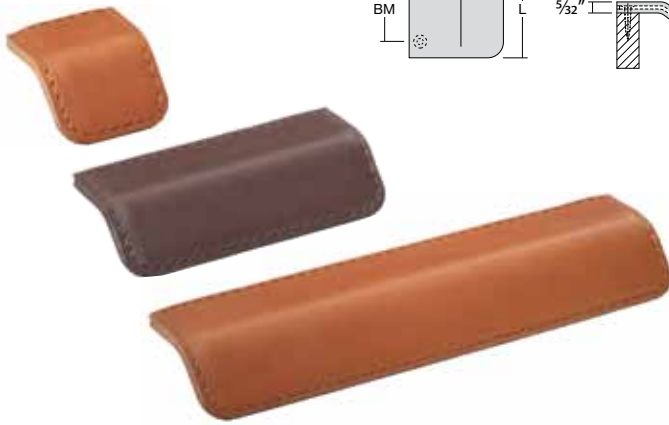


## Cillo – wing handle

handle covered with thick leather

Art. No.:	L	BM	Color	Pattern
MC30-L025	1 3/16"	1/2"	mocca	plain
MC30-L026	1 3/16"	1/2"	black	plain

handle with 2 thread pins (M4) incl. 2 screw bases  
 ø 13/64" for mounting on corpus from 5/8"  
 up to 13/16" thickness, overhang AL = 1 1/16", t = 13/64"  
 metal sheet covered with thick leather

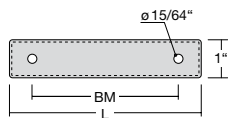


## Cippus – wing handle

handle covered with stitched thick leather

Art. No.:	L	BM	Color	Pattern
MB28-L027	1 1/8"	5/8"	cognac	single stitch
MB76-L027	3"	2 1/4"	cognac	single stitch
MB140-L027	5 1/2"	4 3/4"	cognac	single stitch
MB28-L028	1 1/8"	5/8"	mocca	single stitch
MB76-L028	3"	2 1/4"	mocca	single stitch
MB140-L028	5 1/2"	4 3/4"	mocca	single stitch

handle for top side mounting with wood screws  
 covering of the mounting screws after the mounting  
 with self-gluing strap  
 overhang AL = 1 7/16", thickness t = 3/16"  
 metal sheet, covered with thick leather



## Campus – handle system

strap handle

Art. No.:	L	BM	Color	Pattern
MA126-L023	4 15/16"	3 3/4"	black	single stitch
MA158-L023	6 1/4"	5 1/16"	black	single stitch
MA190-L023	7 1/2"	6 5/16"	black	single stitch
MA126-L021	4 15/16"	3 3/4"	cognac	single stitch
MA158-L021	6 1/4"	5 1/16"	cognac	single stitch
MA190-L021	7 1/2"	6 5/16"	cognac	single stitch
MA126-L022	4 15/16"	3 3/4"	mocca	single stitch
MA158-L022	6 1/4"	5 1/16"	mocca	single stitch
MA190-L022	7 1/2"	6 5/16"	mocca	single stitch

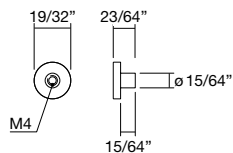
strap handle with 2 holes ø 1/4", width B = 1"  
 thickness t = 1/8", stitched thick leather

strap pulls MA 158 and MA 190 are also useable for  
 a loop handle with one decor cap.

## Campus – decor caps

Art. No.:	Pattern
S105-15EF-2	satin stainless steel
S105-15EP-2	stainless steel, polished
S105-15KA-2	antique copper
S105-15MA-2	antique brass
S105-15SA-2	antique silver

1 set: 2 decor caps ø 19/32", 2 screws M4 x 1"  
 collar ø 1/4" x 1/4" with M4, thread depth Gt = 3/16"  
 satin stainless steel or metal with various surfaces



! Campus decor caps (ø 19/32")  
 for mounting: order separately !

# Leather loops



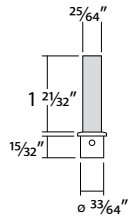
black



cognac



mocca



## Cons – loop handle

base with plain thick leather  
stock item:

Art. No.:	∅	L	∅ BM	color	Pattern
MD16-L026	5/8"	1 47/64"	33/64"	black	plain
MD16-L002	5/8"	1 47/64"	33/64"	cognac	plain
MD16-L025	5/8"	1 47/64"	33/64"	mocca	plain

design variants\*:

Art. No.:	∅	L	∅ BM	color
MD16-L050	5/8"	1 47/64"	33/64"	black and white
MD16-L052	5/8"	1 47/64"	33/64"	white and black
MD16-L053	5/8"	1 47/64"	33/64"	red and green
MD16-L054	5/8"	1 47/64"	33/64"	foggy grey
MD16-L055	5/8"	1 47/64"	33/64"	black animal
MD16-L056	5/8"	1 47/64"	33/64"	camel
MD16-L057	5/8"	1 47/64"	33/64"	leopard
MD16-L058	5/8"	1 47/64"	33/64"	dark brown stripes
MD16-L059	5/8"	1 47/64"	33/64"	cow spots
MD16-L060	5/8"	1 47/64"	33/64"	mustard yellow
MD16-L061	5/8"	1 47/64"	33/64"	cognac and mocca
MD16-F001	5/8"	1 47/64"	33/64"	felt grey

base with border, drill hole depth T = 15/32", M4  
satin stainless steel (AISI 303), thick leather

\*This small leather loop handles are useful for many applications. Through the clear and unobtrusive form they adapt to many situations. A large number of available variants increase the possible combinations. Please note that the minimum quantity for manufacturing any design variant below is 25 pieces per order.



\*black and white



\*white and black



\*red and green



\*foggy grey



\*black animal



\*camel



\*leopard



\*dark brown stripes



\*cow spots



\*mustard yellow



\*cognac and mocca

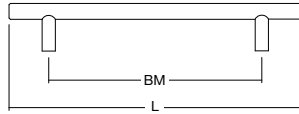
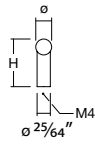


\*felt, grey

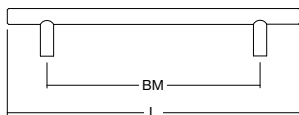
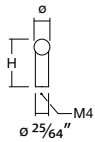
## Bar Handles



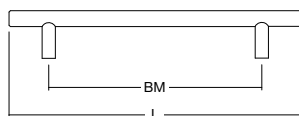
2 stitches, cocoa



leather plain, cocoa



large ring emboss, cognac



### Ceres bar handle $\varnothing 17/32''$

handle bar with stitched leather

satin stainless steel

Art. No.:	L	BM	Color	Pattern
MG96-14EF-L043	6 1/16"	3 25/32"	cocoa	2 stitches
MG128-14EF-L043	7 5/32"	5 1/16"	cocoa	2 stitches
MG220-14EF-L043	8 11/16"	6 5/16"	cocoa	2 stitches

stainless steel, polished

MG96-14EP-L045	6 1/16"	3 25/32"	black	2 stitches
MG128-14EP-L045	7 5/32"	5 1/16"	black	2 stitches
MG220-14EP-L045	8 11/16"	6 5/16"	black	2 stitches

bar handle with 2 fixed bases  $\varnothing 3/8''$

height H = 1 15/32", M4

satin stainless steel (AISI 303), solid, invisibly seamed  
EF = satin stainless steel, EP = polished stainless steel

### Ceres bar handle $\varnothing 1/2''$

handle with plain leather

satin stainless steel

Art. No.:	L	BM	Color	Pattern
MG96-12EF-L003	6 9/64"	3 25/32"	cocoa	plain
MG128-12EF-L003	7 13/32"	5 3/64"	cocoa	plain
MG284-12EF-L003	11 3/16"	8 13/16"	cocoa	plain

stainless steel, polished

MG96-12EP-L001	6 9/64"	3 25/32"	black	plain
MG128-12EP-L001	7 13/32"	5 3/64"	black	plain
MG284-12EP-L001	11 3/16"	8 13/16"	black	plain

bar handle with 2 fixed bases  $\varnothing 3/8''$

height H = approx. 1 5/16", M4

satin stainless steel (AISI 303), solid  
EF = satin stainless steel, EP = polished stainless steel

### Ceres bar handle $\varnothing 1/2''$

handle bar with embossed leather

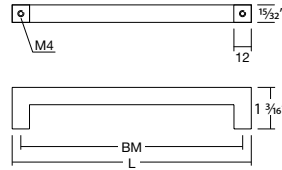
Art. No.:	L	BM	Color
MG220-12EF-L018	8 11/16"	6 5/16"	cognac
MG220-12EF-L019	8 11/16"	6 5/16"	cocoa
MG284-12EF-L019	11 3/16"	8 13/16"	cocoa

bar handle with 2 fixed bases  $\varnothing 3/8''$

height H = approx. 1 5/16", M4

satin stainless steel (AISI 303), solid

## Bar Handles



### Calus handle 1/2" x 1/2"

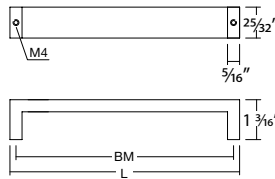
handle with plain leather

Art. No.:	L	BM	Color	Pattern
MU96-12EF-L001	4"	3 25/32"	black	plain
MU96-12EF-L002	4"	3 25/32"	cognac	plain
MU96-12EF-L003	4"	3 25/32"	cocoa	plain
MU128-12EF-L003	5 1/2"	5 1/16"	cocoa	plain
MU160-12EF-L003	6 3/4"	6 5/16"	cocoa	plain
MU320-12EF-L003	13 1/16"	12 5/8"	cocoa	plain
MU480-12EF-L003	19 3/8"	18 7/8"	cocoa	plain
MU640-12EF-L003	25 11/16"	25 3/16"	cocoa	plain

handle with stitched leather

Art. No.:	L	BM	Color	Pattern
MU192-12EF-L005	8 1/16"	7 9/16"	cognac	pillow stitch

width B = approx. 1/2", height H = approx. 1 1/4", M4 satin stainless steel (AISI 304), solid



### Ciba handle 13/16" x 5/16"

handle with plain leather

Art. No.:	L	BM	Color	Pattern
MV128-20EF-L003	5 3/8"	5 1/16"	cocoa	plain
MV160-20EF-L003	6 17/64"	6 5/16"	cocoa	plain

Handle with stitched leather

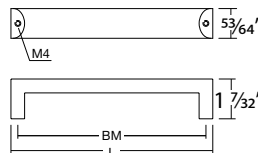
Art. No.:	L	BM	Color	Pattern
MV96-20EF-L006	4 3/32"	3 25/32"	cognac	double stitch
MV128-20EF-L006	5 3/8"	5 1/16"	cognac	double stitch
MV160-20EF-L007	6 17/64"	6 5/16"	cocoa	2 single stitches
MV192-20EF-L009	7 7/8"	7 9/16"	cognac	welted seam

width B = approx. 13/16", height H = approx. 1 1/4"  
satin stainless steel (AISI 304), solid

### Strada



### Tridento



### Strada / Tridento handle

handle with plain leather

Art. No.:	L	BM	B/H	Color	Pattern
PA96-E1-L037	4 3/32"	3 25/32"	1 3/8"	cocoa	2 stitches
PA128-E1-L037	5 13/64"	5 1/16"	1 3/8"	cocoa	2 stitches
PB160-E1-L037	6 13/16"	6 5/16"	1 3/16"	cocoa	2 stitches

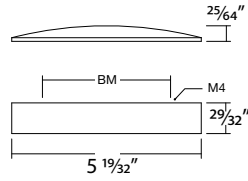
M4, die-cast zinc alloy, aluminium optic coated

handle covered with stitched leather

Art. No.:	L	BM	B/H	Color	Pattern
PA128-L035	5 13/64"	5 1/16"	25/32"/1 3/64"	cocoa	2 stitches
PB160-L035	6 13/16"	6 5/16"	1 3/64"/1"	cocoa	2 stitches

M4, metal complete covered

# Furniture Handles

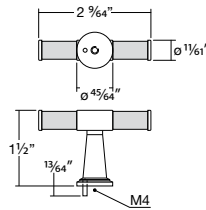


## Visconti - wing handle

handle covered with plain leather

Art. No.:	L	BM	Color	Pattern
PL96-E1-L030	5 11/16"	3 3/4"	cognac	plain covered
PL96-E1-L031	5 11/16"	3 3/4"	cocoa	plain covered
PL96-E1-L032	5 11/16"	3 3/4"	black	plain covered

overhang AL = 1", height H = 7/16", M4 die-cast zinc alloy, completely covered



## Carus $\varnothing$ 11/61"

door knob, stainless steel combined with plain leather

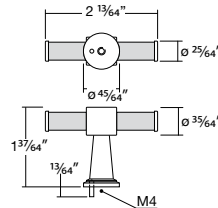
Art. No.:	L	$\varnothing$	Color	Pattern
MK56EF-L003	2 9/64"	11/61"	cocoa	plain
MK56EF-L001	2 9/64"	11/61"	black	plain

satin stainless steel

height H = 1/2", base  $\varnothing$  45/64"

turn out of position protect blind hole  $\varnothing$  1/32", M4

satin or polished stainless steel (AISI 303), solid combined with plain leather



## Como $\varnothing$ 25/64" x 35/64"

door knob, stainless steel combined with stitched leather

Art. No.:	L	Color	Pattern
MW56EF-L037	2 13/64"	cocoa	plain

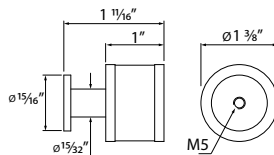
satin stainless steel

height H = 1 9/16", base  $\varnothing$  45/64"

turn out of position protect blind hole  $\varnothing$  1/32", M4

satin or polished stainless steel (AISI 303), solid combined with stitched leather

EF = satin stainless steel, EP = polished stainless steel



## Doorknob Bergen

polished stainless steel, with plain leather, 2 stitches

Art. Nr.:	L	$\varnothing$	color	Pattern
MX 35-L045	1 11/16"	1 3/8"	black	2 stitches

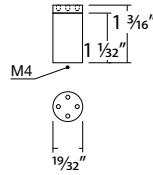
turn out of position protect blind hole  $\varnothing$  1/32", M4

polished stainless steel (AISI 303)

## Furniture Handles



leather plain, cocoa



### Citus system knob

handle with stitched leather

Art. No.:	H	Pattern	Surface
ME30EF-L003	1 3/16"	Leder cocoa	plain

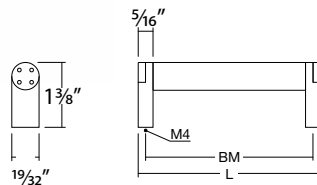
decor cap  $\varnothing$  9/16", height H = 1 3/16", M4 screw length SL = 31/32" add thickness of the material satin stainless steel (AISI 303) combined with satin stainless steel or leather also available without leather cover in stainless steel only

### Citus system handle

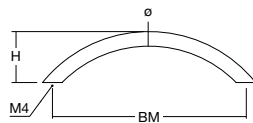
handle bar covered with leather, cocoa, plain

Art. No.:	L	BM	H
ME128EF-L003	5 13/64"	5 1/16"	1 3/8"
ME192EF-L003	7 13/16"	7 9/16"	1 3/8"
ME288EF-L003	11 5/8"	11 5/64"	1 3/8"
ME576EF-L003	23"	22 7/8"	1 3/8"

2 decor screws and 2 bases ( 9/16" x 7/64")  
fix the handle bar  $\varnothing$  9/16" height H = 1 3/8" , M4 handle bar: satin stainless steel (AISI 303) or leather base: 1 3/8" x 9/16" x 1/8", satin stainless steel (AISI 303) also available without leather cover in stainless steel only



double stitch, cocoa

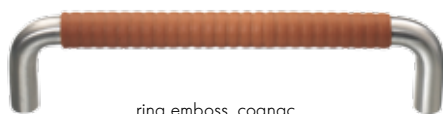


### Cirrus C-shape handle

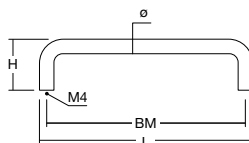
handle with stitched leather  $\varnothing$  3/8"

Art. No.:	L	BM	Color Pattern
MO96-10EF-L012	4 3/8"	3 3/4"	cocoa double stitch
MO128-10EF-L012	5 3/4"	5 1/16"	cocoa double stitch

height H = 1 7/16", M4, metal covered with seamed leather



ring emboss, cognac



### Contur D-shape handle $\varnothing$ 3/8"

D-handle with embossed rings

Art. No.:	L	BM	Color
MS138-10EF-L018	5 7/16"	5 1/16"	cognac
MS298-10EF-L018	11 3/4"	11 5/16"	cognac
MS298-10EF-L019	11 3/4"	11 5/16"	cocoa

height H = 1 3/8", M4, satin stainless steel (AISI 303), solid



---

This catalogue is only for the purpose of the owner. It is completely belonging to ABP-Beyerle GmbH. The products in this catalogue don't give any information on the scope of delivery or the optic. Technical demonstrations and measurements in this catalogue are unaccommodating. Changes in the construction are reserved. Please observe our industrial property rights. Every accountability for printing mistakes or errors is debarred.

Possible color between the photographic representation on the Internet and catalog and the specified color in nature, technically and print technical reason is no reason for claims.

#### COPYRIGHT

All materials contained on this catalogue are subject to the ownership rights of Beyerle US Ltd., its affiliates and its Supplier Partners. You agree that any copy made must include the Beyerle US copyright notice. No other permission is granted to you to print, copy, reproduce, distribute, transmit, upload, download, store, display in public, alter, or modify the content contained on this catalogue. Specifiers and designers interested in specifying Beyerle Us products are allowed to download and reproduce images, specifications or text for use in presentations and proposals to customers and potential customers on the condition that full credit and attribution be given to Beyerle US Ltd. for any such reproduction and use.

Copyright © ABP-Beyerle All rights reserved.

"ABP-Beyerle" is a trademark or registered trademark of ABP-Beyerle GmbH, a company related to Beyerle US Ltd. through common ownership.

#### SUBMISSIONS

All remarks, suggestions, ideas, graphics or other information communicated to Beyerle US through this Catalogue will forever be the property of Beyerle US. Unless otherwise specified in writing and agreed to by Beyerle US, all material submitted to Beyerle US will be presumed to be public and Beyerle US will not be required to treat the information as confidential. Beyerle US shall have exclusive ownership of all present and future existing rights in the information, without compensation to the person sending the information.

#### Material

At ABP-Beyerle we basically work with stainless steel of the quality classes 1.4301 (AISI 304) / 1.4305 (AISI 303) / 1.4404 (AISI 316L) / 1.4571 (AISI 316 TI). All of these classes are being identified as rustless steel according to the European norm EN 10088. The corrosion resistance bears on a non-visible passive coating that is produced by air oxygen and always reproduces itself when this coating gets bruised. Nevertheless it can be that at stainless steel products one can have some contamination through deposits, which are often designated as flash rust. This flush rust is not produced by the material itself but is brought onto the material from the ambience. Main causes are: Environmental pollution (location near to a street or city centre), location near to the sea, improper maintenance. In areas, for example nearby the sea, we recommend the use of a more significant material. Often-times we also recommend a polished surface which is less fragile for corrosion.

#### Care

For a long lasting delight on our products we recommend that: After the mounting the products have to be cleaned from residues just as dirt, hand perspiration or gluing backlogs. Please use a commercial stainless steel purifier or a wettish, softish rag or leather. In addition you can also use a chloride clear purifier (free from hydrochloride acid). A constant maintenance of the products, for example only with a wettish microfiber cloth is recommended.

#### Drawings and Measurements:

Please pay attention: the dimensions and measurements at the printed drawings are in mm and inch. Our principal characteristic is mm, the measurements in inch are approximations.

**Beyerle US** L.L.C.

5126 S Royal Atlanta Dr.  
Tucker, GA 30084, USA  
Phone: + 1 (770) 349-6324  
Fax: + 1 (770) 934-3384  
info@beyerle-us.com  
www.beyerle-us.com

**ABP**  **beyerle**  
inspiration:quality

