



Deadbolt



(Version: 2015.6)

RD/SD/GD/HD/CD/LD DEADBOLT





TABLE OF CONTENTS

How to order.....	Page 1
Deadbolt with Escutcheons.....	Page 2
RD/SD Deadbolt	Page 3
GD/HD Deadbolt	Page 4
CD/LD Deadbolt	Page 5
Exploded Diagram.....	Page 7
Care and Maintenance.....	Page 10
Product Warranty.....	Page 11

HOW TO ORDER:

All standard deadbolts include cylinder with 2 keys, keyed different.
Keying Service available as separate item (please see page no. 6)

Product Identification

RD 120 B6 – 32D

Finish:

32D = Satin Stainless Steel

32 = Polished Stainless Steel

10B = Oil Rubbed Bronze on Stainless Steel

Backset:

B6 = 2-3/8" Backset

B7 = 2-3/4" Backset

Function:

110 = Single Cylinder Deadbolt for RD/GD/CD

120 = Double Cylinder Deadbolt for RD/GD/CD

192 = Communicating Deadbolt for RD/GD/CD

310 = Single Cylinder Deadbolt for SD/HD/LD

320 = Double Cylinder Deadbolt for SD/HD/LD

392 = Communicating Deadbolt for SD/HD/LD

Deadbolt Escutcheons:

RD = 2-3/8" (60mm) Round Solid Casted Stainless Steel Escutcheon

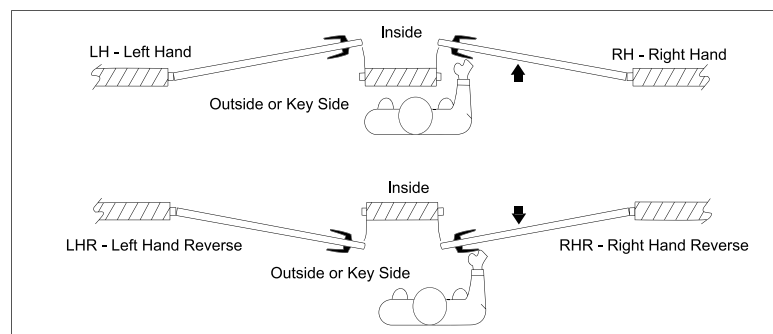
SD = 2-3/8" (60mm) Square Solid Casted Stainless Steel Escutcheon

GD = 2-1/16" (53mm) Round Solid Casted Stainless Steel Escutcheon

HD = 2-1/16" (53mm) Square Solid Casted Stainless Steel Escutcheon

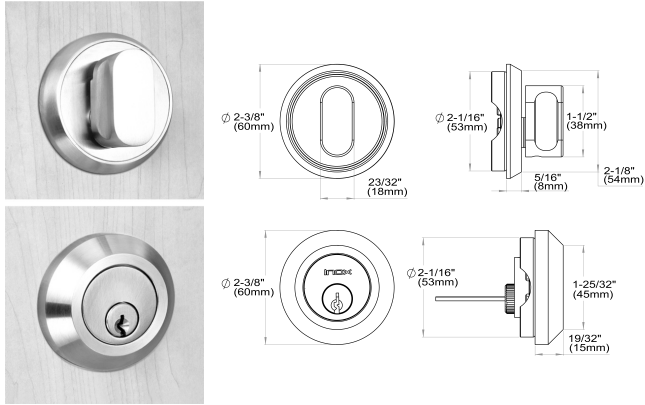
CD = 2-1/2" (63mm) Round Stainless Steel Escutcheon

LD = 2-3/8" (60mm) Square Stainless Steel Escutcheon

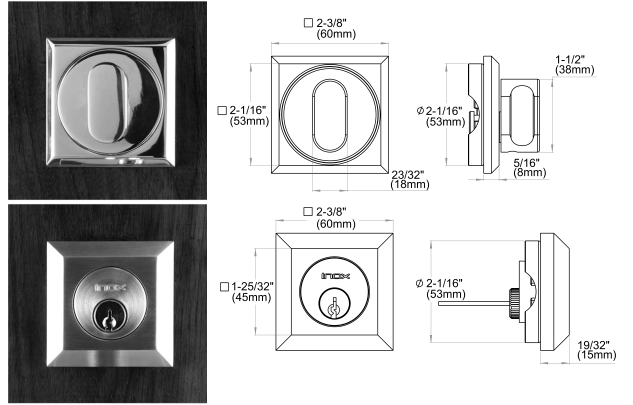


Deadbolt with Escutcheons

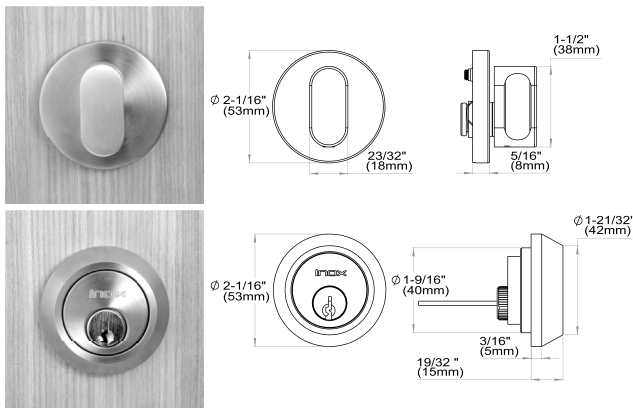
RD Deadbolt



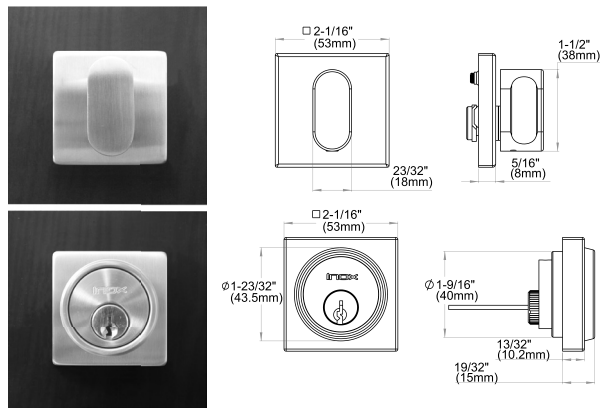
SD Deadbolt



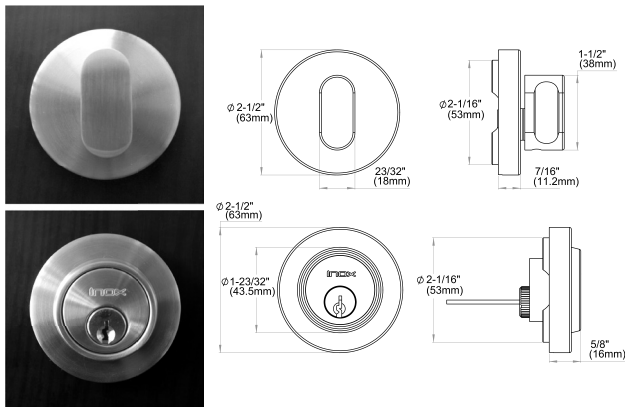
GD Deadbolt



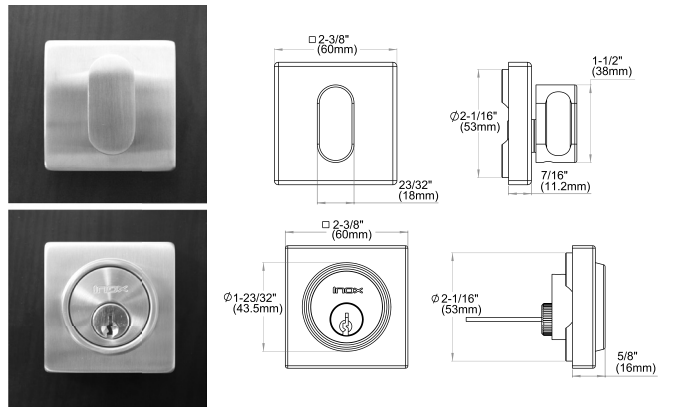
HD Deadbolt



CD Deadbolt



LD Deadbolt



RD/SD Deadbolt



RD Series Deadbolt



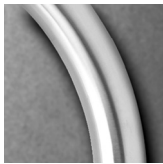
SD Series Deadbolt

Application

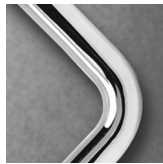
For residential or light-duty commercial application.

Material

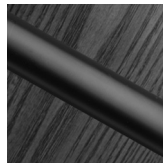
Solid Casted Stainless Steel Outside and Inside Escutcheons

Finish

Satin
Stainless Steel
(US32D)



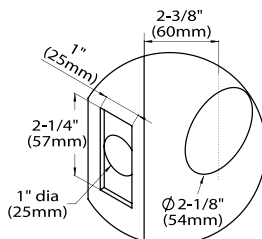
Bright Polished
Stainless Steel
(US32)



Oil Rubbed Bronze
on Stainless Steel
(US10B)

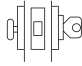


Specification

- Door Thickness: 1-3/4" (44mm) standard
Thin door and thick door kits available.
- Backset: 2-3/8" (60mm) standard
2-3/4" (70mm) optional
- Cylinder & Keys: Schlage C Keyway
Cylinder 5-pin with 2 keys.
Keying service available.
- Deadbolt: 1" throw with hardened roller pin
- Fully concealed fixing: M5 Thru-bolts
- UL fire rated deadbolt available.

Door Preparation

Please go to: www.inoxproducts.com/resources
for the latest door preparation templates and installation instructions.

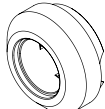
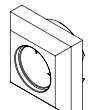
Functions

-  RD110/SD310 Single Cylinder Deadbolt
Key outside or thumb-turn inside retracts deadbolt.
-  RD120/SD320 Double Cylinder Deadbolt
Deadbolt operated by key from either side.
-  RD192/SD392 Communicating Deadbolt
Deadbolt operated by thumb-turn from inside only;
blind rose on the outside.

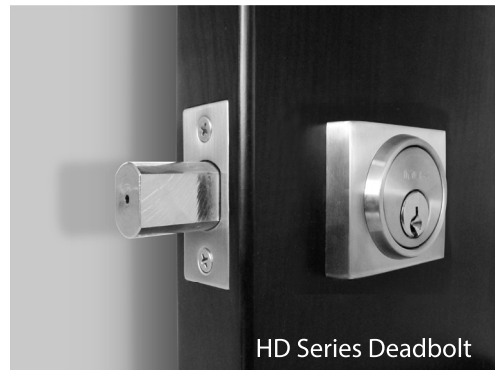
Backset	Function	Item No.
2-3/8" (60mm)	Single Cylinder	RD110B6-finish
2-3/8" (60mm)	Double Cylinder	RD120B6-finish
2-3/8" (60mm)	Communicating	RD192B6-finish
2-3/4" (70mm)	Single Cylinder	RD110B7-finish
2-3/4" (70mm)	Double Cylinder	RD120B7-finish
2-3/4" (70mm)	Communicating	RD192B7-finish

Backset	Function	Item No.
2-3/8" (60mm)	Single Cylinder	SD310B6-finish
2-3/8" (60mm)	Double Cylinder	SD320B6-finish
2-3/8" (60mm)	Communicating	SD392B6-finish
2-3/4" (70mm)	Single Cylinder	SD310B7-finish
2-3/4" (70mm)	Double Cylinder	SD320B7-finish
2-3/4" (70mm)	Communicating	SD392B7-finish

Thin Door Kits

Illustration	Thin Door Kits	Item Code
	1-3/8" Door Thickness for RD deadbolt	ECIXR20-32D ECIXR20-32 ECIXR20-10B
	1-3/8" Door Thickness for SD deadbolt	ECIXS40-32D ECIXS40-32 ECIXS40-10B

GD/HD Deadbolt



Application

For residential or light-duty commercial application.

Material

Solid Casted Stainless Steel Outside Escutcheon and Wrought Stainless Steel Inside Escutcheon

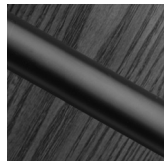
Finish



Satin Stainless Steel (US32D)



Bright Polished Stainless Steel (US32)

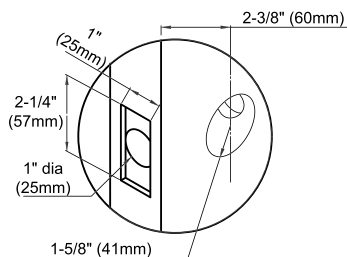


Oil Rubbed Bronze on Stainless Steel (US10B)

Specification




- Door Thickness: 1-3/4" (44mm) standard
Thin door and thick door kits available.
- Backset: 2-3/8" (60mm) standard
2-3/4" (70mm) optional
- Cylinder & Keys: Schlage C Keyway
Cylinder 5-pin with 2 keys.
Keying service available.
- Deadbolt: 1" throw with hardened roller pin
- Fully concealed fixing: M5 Thru-bolts
- UL fire rated deadbolt available.

Door Preparation



Please go to: www.inoxproducts.com/resources for the latest door preparation templates and installation instructions.

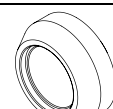
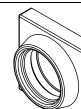
Functions

-  GD110/HD310 Single Cylinder Deadbolt
Key outside or thumb-turn inside retracts deadbolt.
-  GD120/HD320 Double Cylinder Deadbolt
Deadbolt operated by key from either side.
-  GD192/HD392 Communicating Deadbolt
Deadbolt operated by thumb-turn from inside only; blind rose on the outside.

Backset	Function	Item No.
2-3/8" (60mm)	Single Cylinder	GD110B6-finish
2-3/8" (60mm)	Double Cylinder	GD120B6-finish
2-3/8" (60mm)	Communicating	GD192B6-finish
2-3/4" (70mm)	Single Cylinder	GD110B7-finish
2-3/4" (70mm)	Double Cylinder	GD120B7-finish
2-3/4" (70mm)	Communicating	GD192B7-finish

Backset	Function	Item No.
2-3/8" (60mm)	Single Cylinder	HD310B6-finish
2-3/8" (60mm)	Double Cylinder	HD320B6-finish
2-3/8" (60mm)	Communicating	HD392B6-finish
2-3/4" (70mm)	Single Cylinder	HD310B7-finish
2-3/4" (70mm)	Double Cylinder	HD320B7-finish
2-3/4" (70mm)	Communicating	HD392B7-finish

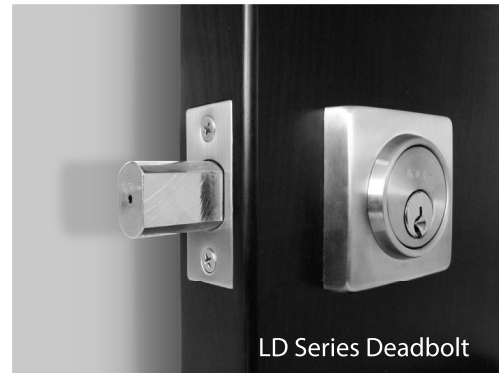
Thin Door Kits

Illustration	Thin Door Kits	Item Code
	1-3/8" Door Thickness for GD deadbolt	ECIXG20-32D ECIXG20-32 ECIXG20-10B
	1-3/8" Door Thickness for HD deadbolt	ECIXH40-32D ECIXH40-32 ECIXH40-10B

CD/LD Deadbolt



CD Series Deadbolt



LD Series Deadbolt

Application

For residential or light-duty commercial application.

Material

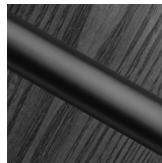
Wrought Stainless Steel Outside and Inside Escutcheons

Finish

Satin
Stainless Steel
(US32D)



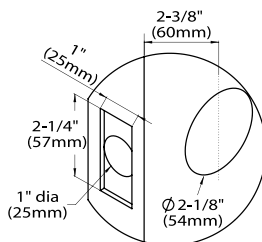
Bright Polished
Stainless Steel
(US32)



Oil Rubbed Bronze
on Stainless Steel
(US10B)




Specification

- Door Thickness: 1-3/4" (44mm) standard
Thin door and thick door kits available.
- Backset: 2-3/8" (60mm) standard
2-3/4" (70mm) optional
- Cylinder & Keys: Schlage C Keyway
Cylinder 5-pin with 2 keys.
Keying service available.
- Deadbolt: 1" throw with hardened roller pin
- Fully concealed fixing: M5 Thru-bolts
- UL fire rated deadbolt available.

Door Preparation

Please go to: www.inoxproducts.com/resources
for the latest door preparation templates and installation instructions.


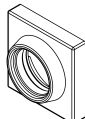
Functions

-  CD110/LD310 Single Cylinder Deadbolt
Key outside or thumb-turn inside retracts deadbolt.
-  CD120/LD320 Double Cylinder Deadbolt
Deadbolt operated by key from either side.
-  CD192/LD392 Communicating Deadbolt
Deadbolt operated by thumb-turn from inside only;
blind rose on the outside.

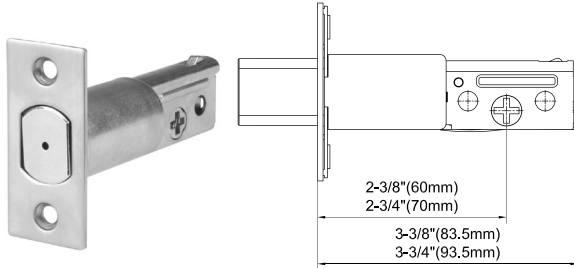
Backset	Function	Item No.
2-3/8" (60mm)	Single Cylinder	CD110B6-finish
2-3/8" (60mm)	Double Cylinder	CD120B6-finish
2-3/8" (60mm)	Communicating	CD192B6-finish
2-3/4" (70mm)	Single Cylinder	CD110B7-finish
2-3/4" (70mm)	Double Cylinder	CD120B7-finish
2-3/4" (70mm)	Communicating	CD192B7-finish

Backset	Function	Item No.
2-3/8" (60mm)	Single Cylinder	LD310B6-finish
2-3/8" (60mm)	Double Cylinder	LD320B6-finish
2-3/8" (60mm)	Communicating	LD392B6-finish
2-3/4" (70mm)	Single Cylinder	LD310B7-finish
2-3/4" (70mm)	Double Cylinder	LD320B7-finish
2-3/4" (70mm)	Communicating	LD392B7-finish

Thin Door Kits

Illustration	Thin Door Kits	Item Code
	1-3/8" Door Thickness for CD deadbolt	ECIXC20-32D ECIXC20-32 ECIXC20-10B
	1-3/8" Door Thickness for LD deadbolt	ECIXL40-32D ECIXL40-32 ECIXL40-10B

Deadbolt



Backset: 2-3/8" (60mm), 2-3/4" (70mm)
 Deadbolt: 1" (25mm) throw with anti-drill pin
 Function: Suitable for entry door or doors needing to be locked
 Faceplate: 2-1/4" x 1"
 Cylinder & Keys: 5-pin Schlage C keyway cylinder with 2 keys

Backset	Item No.
2-3/8"	BT160
2-3/4"	BT170
UL Fire Rate Deadbolt Latch	
2-3/8"	BT160F
2-3/4"	BT170F

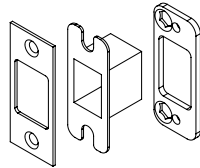
Deadbolt Strike and Faceplate

Deadbolt Faceplate



BT1-FSP

Deadbolt Strike w/
 reinforcement plate
 and dustbox



LSR-BT1

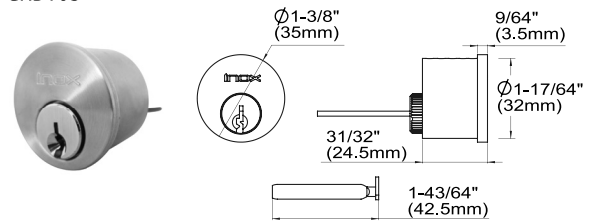
Keying Services

Description	Item No.
Service: Key Cut including Key Blank	SV-KYCT
Service: Keyed Alike (KA)	SV-KA
Service: Keyed to Specific Code	SV-KS
Service: Master Keying	SV-MK
Service: Grand Master Keying with 2 or more Master groups.	SV-GMK
Service: Construction Master Keying Service	SV-CMK

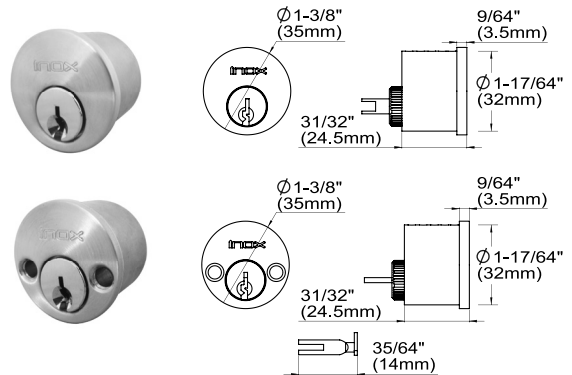
Rim Cylinders

Schlage C Keyway, 5 Pin, with Tailpiece, 2 Keys.
 Standard Keyed Different (KD).
 Other Keying Services Available.

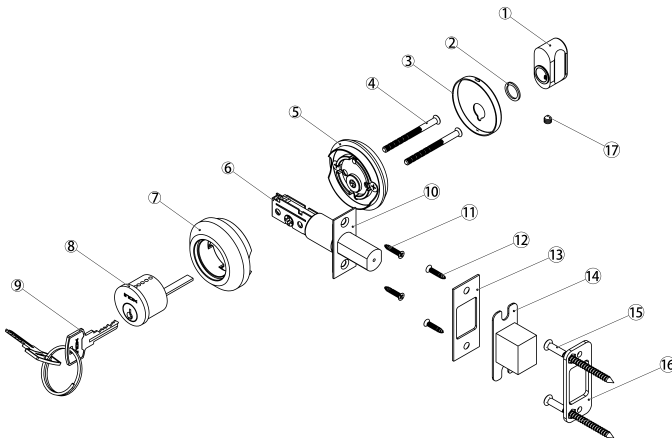
Single Cylinder CRB105



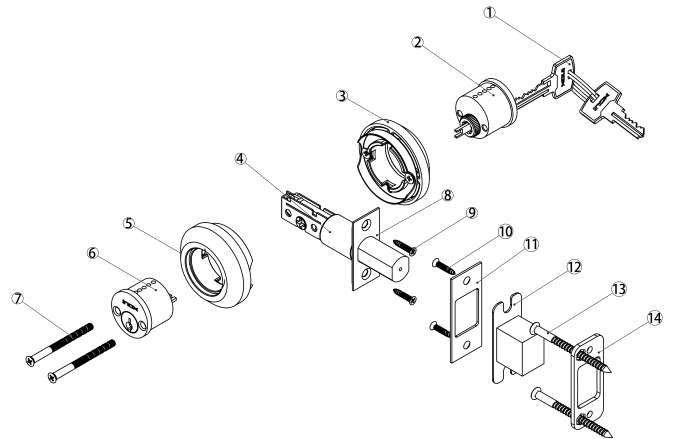
Double Cylinder CRB105F & CRB105HF



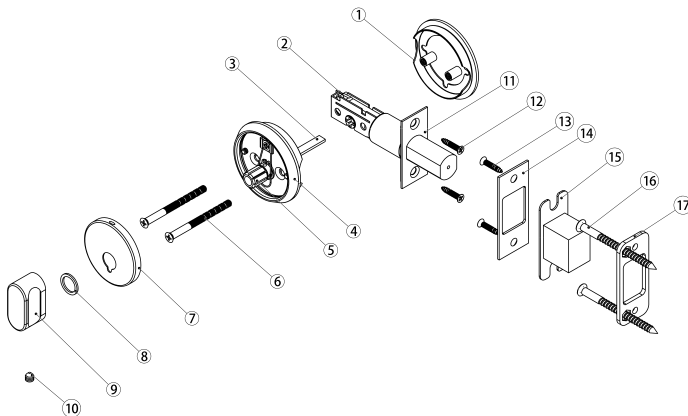
Exploded Diagram

Exploded Diagram (RD Single Cylinder Deadbolt)

- | | |
|-------------------------------------|---|
| 1. Thumb-turn | 9. Keys |
| 2. Thumb-turn Washer | 10. Deadbolt Faceplate |
| 3. Inside Escutcheon Cover | 11. Deadbolt Faceplate Screws |
| 4. Cylinder Thru-bolts | 12. Deadbolt Strike Screws |
| 5. Inside Escutcheon | 13. Deadbolt Strike |
| 6. Deadbolt | 14. Deadbolt Dust Box |
| 7. Outside Escutcheon | 15. Deadbolt Reinforcement Plate Screws |
| 8. Outside Rim Cylinder w/Tailpiece | 16. Deadbolt Reinforcement Plate |
| | 17. Thumb-turn Set Screw |

Exploded Diagram (RD Double Cylinder Deadbolt)

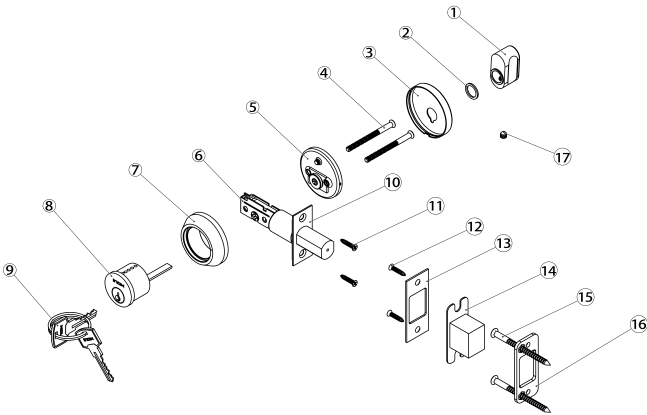
- | | |
|--|---|
| 1. Keys | 8. Deadbolt Faceplate |
| 2. Outside Rim Cylinder w/Folk Tailpiece | 9. Deadbolt Faceplate Screws |
| 3. Outside Escutcheon | 10. Deadbolt Strike Screws |
| 4. Deadbolt | 11. Deadbolt Strike |
| 5. Inside Escutcheon | 12. Deadbolt Dust Box |
| 6. Inside Cylinder w/Folk Tailpiece | 13. Deadbolt Reinforcement Plate Screws |
| 7. Cylinder Thru-bolts | 14. Deadbolt Reinforcement Plate |

Exploded Diagram (RD Communicating Deadbolt)

- | | |
|----------------------------|---|
| 1. Outside Blind Rose | 10. Thumb-turn Set Screw |
| 2. Deadbolt | 11. Deadbolt Faceplate |
| 3. Tailpiece | 12. Deadbolt Faceplate Screws |
| 4. Escutcheon | 13. Deadbolt Strike Screws |
| 5. Thumb-turn Shaft | 14. Deadbolt Strike |
| 6. Thru-bolts | 15. Deadbolt Dust Box |
| 7. Inside Escutcheon Cover | 16. Deadbolt Reinforcement Plate Screws |
| 8. Thumb-turn Washer | 17. Deadbolt Reinforcement Plate |
| 9. Thumb-turn | |

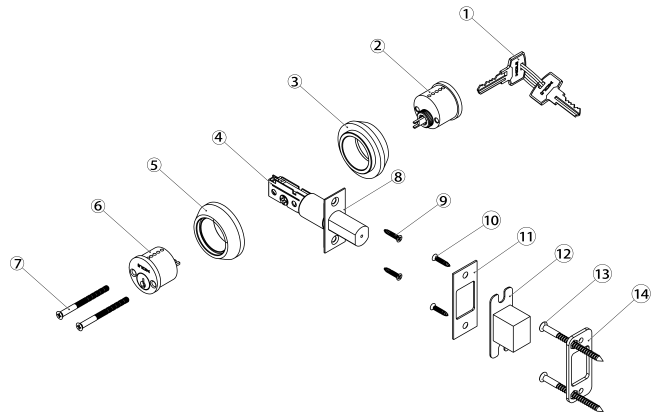
Exploded Diagram

Exploded Diagram (GD Single Cylinder Deadbolt)



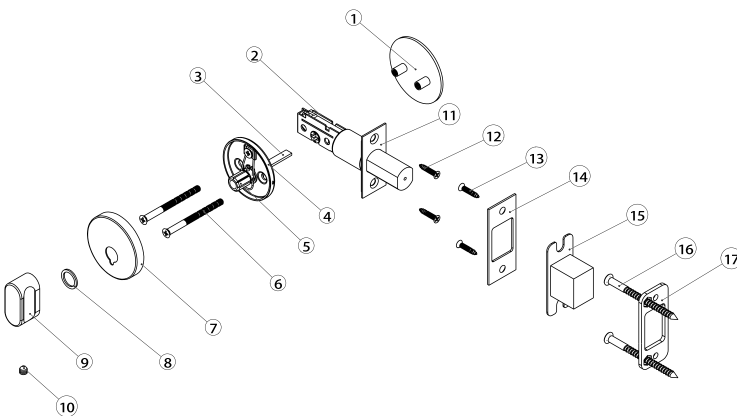
- | | |
|-------------------------------------|---|
| 1. Thumb-turn | 9. Keys |
| 2. Thumb-turn Washer | 10. Deadbolt Faceplate |
| 3. Inside Escutcheon Cover | 11. Deadbolt Faceplate Screws |
| 4. Cylinder Thru-bolts | 12. Deadbolt Strike Screws |
| 5. Inside Escutcheon | 13. Deadbolt Strike |
| 6. Deadbolt | 14. Deadbolt Dust Box |
| 7. Outside Escutcheon | 15. Deadbolt Reinforcement Plate Screws |
| 8. Outside Rim Cylinder w/Tailpiece | 16. Deadbolt Reinforcement Plate |
| | 17. Thumb-turn Set Screw |

Exploded Diagram (GD Double Cylinder Deadbolt)



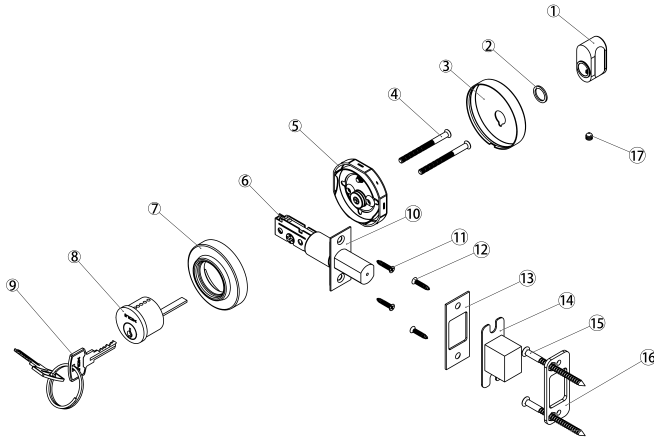
- | | |
|--|---|
| 1. Keys | 8. Deadbolt Faceplate |
| 2. Outside Rim Cylinder w/Folk Tailpiece | 9. Deadbolt Faceplate Screws |
| 3. Outside Escutcheon | 10. Deadbolt Strike Screws |
| 4. Deadbolt | 11. Deadbolt Strike |
| 5. Inside Escutcheon | 12. Deadbolt Dust Box |
| 6. Inside Cylinder w/Folk Tailpiece | 13. Deadbolt Reinforcement Plate Screws |
| 7. Cylinder Thru-bolts | 14. Deadbolt Reinforcement Plate |

Exploded Diagram (GD Communicating Deadbolt)

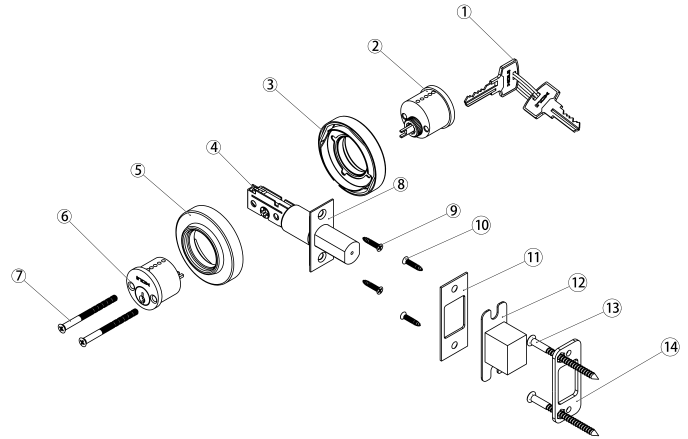


- | | |
|----------------------------|---|
| 1. Outside Blind Rose | 10. Thumb-turn Set Screw |
| 2. Deadbolt | 11. Deadbolt Faceplate |
| 3. Tailpiece | 12. Deadbolt Faceplate Screws |
| 4. Escutcheon | 13. Deadbolt Strike Screws |
| 5. Thumb-turn Shaft | 14. Deadbolt Strike |
| 6. Thru-bolts | 15. Deadbolt Dust Box |
| 7. Inside Escutcheon Cover | 16. Deadbolt Reinforcement Plate Screws |
| 8. Thumb-turn Washer | 17. Deadbolt Reinforcement Plate |
| 9. Thumb-turn | |

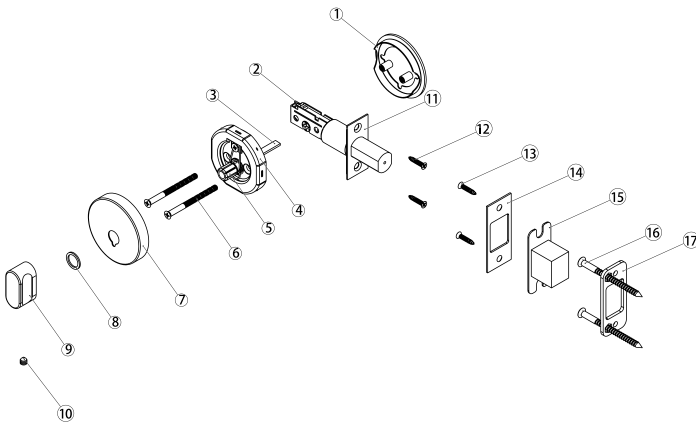
Exploded Diagram

Exploded Diagram (CD Single Cylinder Deadbolt)

- | | |
|-------------------------------------|---|
| 1. Thumb-turn | 9. Keys |
| 2. Thumb-turn Washer | 10. Deadbolt Faceplate |
| 3. Inside Escutcheon Cover | 11. Deadbolt Faceplate Screws |
| 4. Cylinder Thru-bolts | 12. Deadbolt Strike Screws |
| 5. Inside Escutcheon | 13. Deadbolt Strike |
| 6. Deadbolt | 14. Deadbolt Dust Box |
| 7. Outside Escutcheon | 15. Deadbolt Reinforcement Plate Screws |
| 8. Outside Rim Cylinder w/Tailpiece | 16. Deadbolt Reinforcement Plate |
| | 17. Thumb-turn Set Screw |

Exploded Diagram (CD Double Cylinder Deadbolt)

- | | |
|--|---|
| 1. Keys | 8. Deadbolt Faceplate |
| 2. Outside Rim Cylinder w/Folk Tailpiece | 9. Deadbolt Faceplate Screws |
| 3. Outside Escutcheon | 10. Deadbolt Strike Screws |
| 4. Deadbolt | 11. Deadbolt Strike |
| 5. Inside Escutcheon | 12. Deadbolt Dust Box |
| 6. Inside Cylinder w/Folk Tailpiece | 13. Deadbolt Reinforcement Plate Screws |
| 7. Cylinder Thru-bolts | 14. Deadbolt Reinforcement Plate |

Exploded Diagram (CD Communicating Deadbolt)

- | | |
|----------------------------|---|
| 1. Outside Blind Rose | 10. Thumb-turn Set Screw |
| 2. Deadbolt | 11. Deadbolt Faceplate |
| 3. Tailpiece | 12. Deadbolt Faceplate Screws |
| 4. Escutcheon | 13. Deadbolt Strike Screws |
| 5. Thumb-turn Shaft | 14. Deadbolt Strike |
| 6. Thru-bolts | 15. Deadbolt Dust Box |
| 7. Inside Escutcheon Cover | 16. Deadbolt Reinforcement Plate Screws |
| 8. Thumb-turn Washer | 17. Deadbolt Reinforcement Plate |
| 9. Thumb-turn | |

Care and Maintenance

Lever and Knob Handles

On installations where the correct procedures have been carried out per the instructions, the lever handles will not require adjustment. However, all fixings should be checked for tightness annually. Badly fitted materials can cause interference with the operation of the lock and damage the surface. INOX® snap-on rose covers should only be removed using proper tools; a screwdriver blade should never be used as this can distort the rose cap out of alignment and scratch the surfaces of both product and door.

Care of Finishes

Today's environment exerts immense pressures on product material requirements. Products must withstand a diversification of atmospheric conditions, such as high pollution, marine locations, and high humidity climates. Additionally, products must be protected against cleaning agents/solutions and ideally the product should offer hypo-allergenic properties.

Stainless Steel

Stainless steel is renowned for the following two properties; resistance to corrosion and low maintenance requirements. Stainless steel corrosion resistance is attributable to the presence of a thin, durable film of passive, but stable, chromium oxide. Being inert, invisible, extremely adherent and self-repairing, this film provides an unrivalled protection for the steel; should the film be damaged or removed it will regenerate independently, provided that oxygen is present to allow the reaction to occur with the chromium content of the steel. Therefore you must ensure regular cleaning and maintenance, to restore the original surface appearance, prevent corrosion and maintain hygienic conditions.

Cleaning Technique

It is important to clean stainless steel regularly.

- Initially, wash down the surface using soapy water or a mild detergent.
- Always thoroughly rinse the cleaning agent away with clean, warm water.
- To complete the cleaning procedure, dry/polish the item with a soft, dry cloth.

Note: Within aggressive conditions, such as offshore, marine and swimming pool environments, it is especially relevant to ensure that cleaning maintenance occurs regularly.

Discoloration

If spots appear on the surface it is not due to the stainless steel, but to impurities in the water, the air or to cleaning agents that have not been thoroughly removed from the surface.

- Spots can be avoided by careful cleaning.
- If discoloration or spots occur they can be removed by using special polishing agents for stainless steel or a light scouring cream.
- Again rinse thoroughly with clean water and polish with a soft, dry cloth.

What to Avoid!

- Scouring powders
- Steel wool
- Strong abrasive materials

Note: Acid based cleaning solutions, except for hydrochloric acid, may be used on AISI 304 stainless steel as long as thoroughly rinsed with clean water afterwards. For further information on stainless steel, please contact your local INOX® distributor for the INOX® Stainless Steel Technical Details information sheet.

Product Warranty

Limited Lifetime Warranty

Unison Hardware, Inc. warrants that its INOX[®] residential products shall be free from defects in material and workmanship for the life of the product, excluding components made of wood, leather or plastic. This warranty extends to the original purchaser and the first consumer owner only. If a product fails due to defects in material or workmanship during the warranty period we will replace it with the most nearly identical product which we sell at the time or refund the original purchase price. Unison Hardware, Inc. will not be liable for any labor charges or freight costs incurred in connection with repair or replacement of a product. Our sole and maximum liability for defective goods (Sold and manufactured by Unison Hardware, Inc.) shall never exceed the cost of the subject products.

This warranty does not cover:

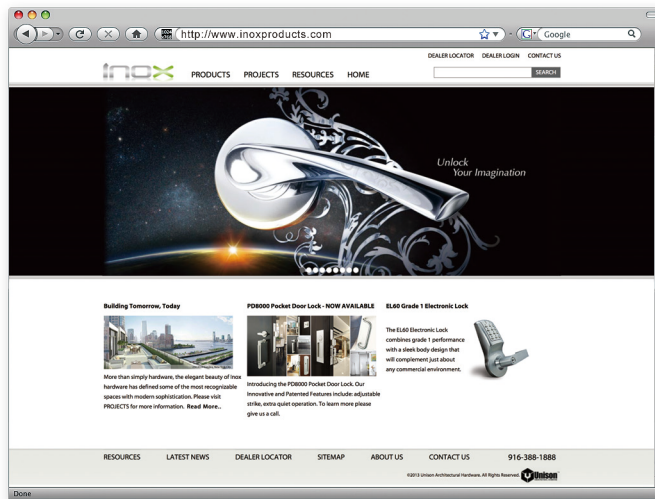
- a. Damage resulting from negligence, misuse, abuse or accident occurring after installation
- b. Damage due to use outside normal architectural requirements
- c. Defects resulting from any modification or improper installations
- d. Improper torquing (tightening) during or after installation
- e. Improper door preparations
- f. Use of residential grade products in commercial applications (i.e. public building, restaurants, offices etc.)
- g. Products installed within three miles of the ocean
- h. Products installed in exterior application and/or exposed to the outdoor weather or elements

Limited Lifetime Finish Warranty

Unison Hardware, Inc. warrants its INOX[®] products made of stainless steel material against tarnishing. This warranty is extended to the original purchaser of INOX[®] products as long as the User occupies the residential premises on which the Products were originally installed. Not covered under this warranty are:

- a. Products which have been scratched or abraded
- b. Products which have been incorrectly installed or mistreated
- c. Products installed within three miles of water (ocean, lakes, rivers, etc.), harsh environments and/or commercial or industrial applications
- d. Products installed in exterior application and/or exposed to the outdoor weather or elements
- e. Finishes which are specifically designed to wear over time (i.e. Oil Rubbed Bronze finish)

UNISON HARDWARE, INC. MAKES NO OTHER WARRANTY, AND ALL IMPLIED WARRANTIES INCLUDING ANY WARRANTY OF MERCHANTABILITY OR FITNESS FOR A PARTICULAR PURPOSE ARE LIMITED TO THE DURATION OF THE EXPRESSED WARRANTY PERIOD AS SET FORTH ABOVE. THE COMPANY'S MAXIMUM LIABILITY HEREUNDER IS LIMITED TO THE PURCHASE PRICE OF THE PRODUCT. IN NO EVENT SHALL THE COMPANY BE LIABLE FOR ANY CONSEQUENTIAL, INDIRECT, INCIDENTAL OR SPECIAL DAMAGES OF ANY NATURE ARISING FROM THE SALE OR USE OF THIS PRODUCT, WHETHER IN CONTRACT, TORT, STRICT LIABILITY OR OTHERWISE. THIS LIMITED WARRANTY IS IN LIEU OF ALL OTHER WARRANTIES, EXPRESSED OR IMPLIED, INCLUDING THE IMPLIED WARRANTIES OF FITNESS AND MERCHANTABILITY. THERE ARE NO WARRANTIES WHICH EXTEND BEYOND THE DESCRIPTION ON THE FACE HEREOF.



Please visit our website
www.inoxproducts.com
for more technical and new product information.



Unison Hardware, Inc.

6 Wayne Court, Sacramento, CA 95829, USA

Tel: +1.916.388.1888 Fax: +1.916.388.8322

Email: info@unisonhardware.com