



Mortise Locksets



(Version: 2015.6)

RA/SE/GT/GS/LA/SF TRIM

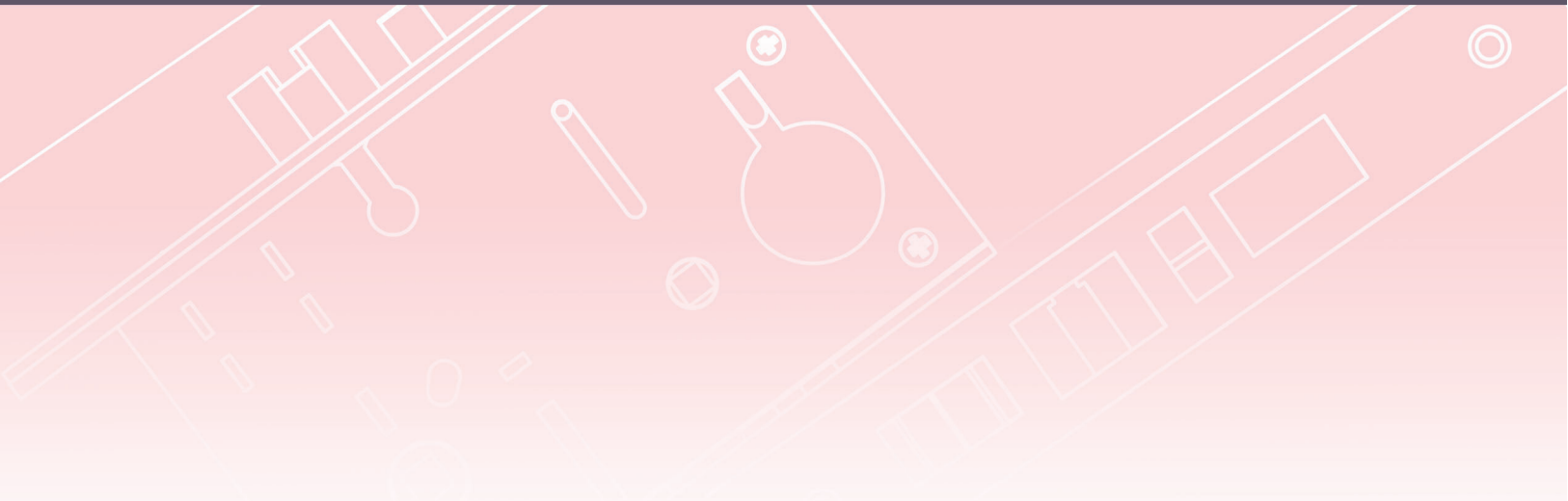




TABLE OF CONTENTS

How to order.....	Page 1
Roses and Plates Escutcheons	Page 2
Lever Designs and Finishes	Page 3
RA/ SE/ GT/ GS/ LA/ SF Mortise Set	Page 4
GR/SR Small Mortise Deadbolt with MC717 Lock	Page 8
Exploded Diagram	Page 11
Care and Maintenance.....	Page 15
Product Warranty.....	Page 16

STANDARD STOCK ITEM:**How to Order**

For leversets using the same interior and exterior lever and finish combination:

Product Identification**SF 105 MC720 - 32D - LH****Handing:**

RH – Right Hand
 LH – Left Hand
 RHR – Right Hand Reverse
 LHR – Left Hand Reverse

Finish:

32D = Satin Stainless Steel
 32 = Polished Stainless Steel
 SP = Two Tone Satin and Polished Stainless Steel
 10B = Oil Rubbed Bronze on Stainless Steel

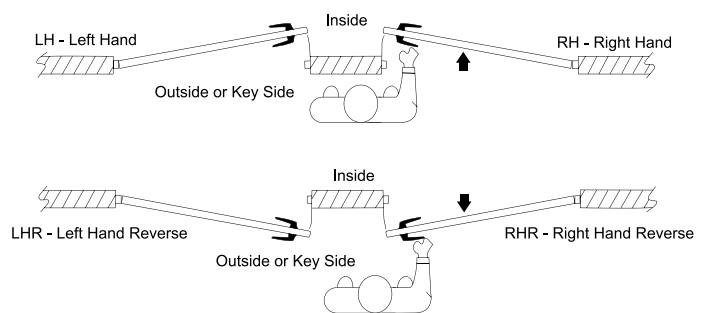
Function:**"MC" Mortise Lock**

MC720=MC Series Mortise, Keyed Entry with Toggle
 MC704=MC Series Mortise, Keyed Entry without Deadbolt
 MC738=MC Series Mortise, Keyed Entry without Toggle
 MC701=MC Series Mortise, Passage
 MC722=MC Series Mortise, Privacy
 MC705=MC Series Mortise, Classroom
 MC707=MC Series Mortise, Storeroom
 MDP=Mortise Full Dummy Pair

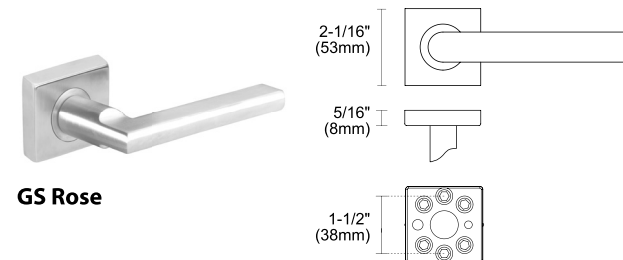
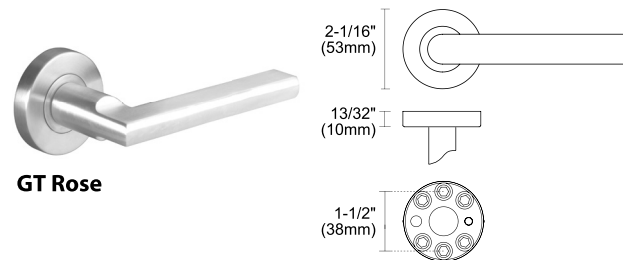
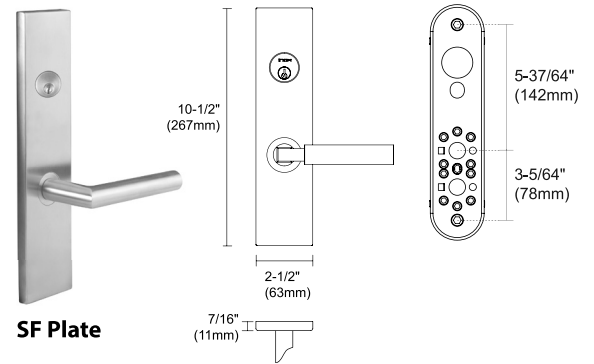
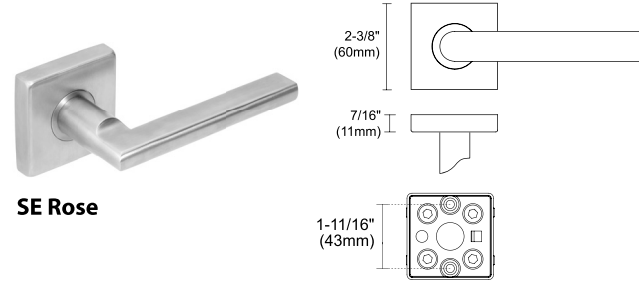
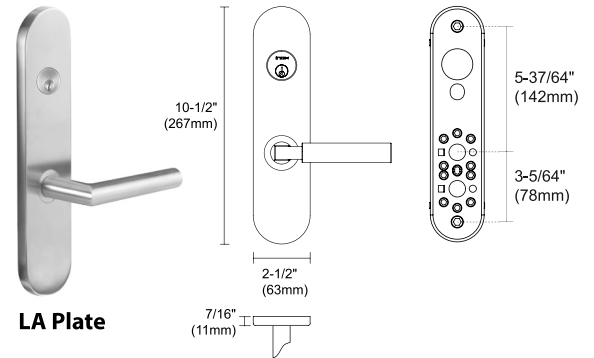
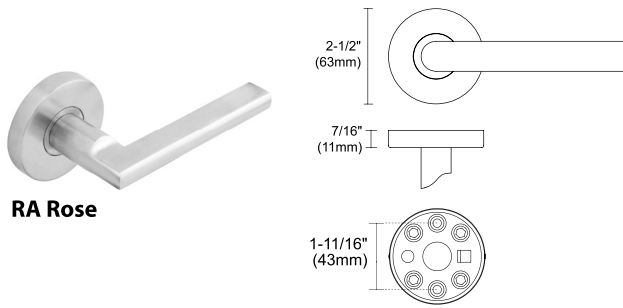
Lever:

101 Cologne
 102 Munich
 103 Oslo
 104 Brussels
 105 Frankfurt
 106 Copenhagen
 107 Stockholm
 108 Vienna
 109 Stuttgart
 210 Air-stream
 211 Breeze
 213 Cabernet
 214 Champagne
 217 Horizon
 221 Aurora
 223 Phoenix
 225 Waterfall
 226 Summer
 227 Stratus
 243 Sunrise
 244 Twilight
 251 Sequoia
 311 Crest
 344 Ecco
 345 Tokyo
 346 Osaka
 351 Toronto
 379 Arctic (GT/GS)
 380 Polaris (RA/SE/LA/SF)

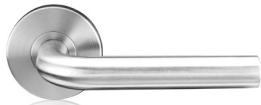
RA Rose
 SE Rose
 GT Rose
 GS Rose
 LA Plate
 SF Plate

Door Handing:

Roses and Plates Escutcheons



Lever Designs and Finishes



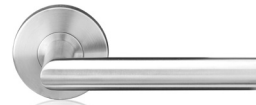
101 Cologne (32, 32D)



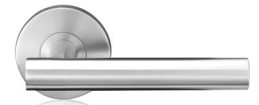
103 Oslo (32, 32D)



104 Brussels (32, 32D)



105 Frankfurt (32, 32D, 10B)



106 Copenhagen (32, 32D, 10B)



107 Stockholm (32, 32D)



108 Vienna (SP*)



210 Air-stream (32, 32D, 10B)



211 Breeze (32, 32D, 10B)



213 Cabernet (32, 32D)



214 Champagne (32, 32D, 10B)



217 Horizon (32, 32D)



221 Aurora (32, 32D, SP*, 10B)



223 Phoenix (32D, SP*)



225 Waterfall (32, 32D)



226 Summer (32, 32D)



227 Stratus (32, 32D)



243 Sunrise (32, 32D, 10B)



251 Sequoia (32, 32D, SP*)



311 Crest (32, 32D, 10B)



344 Ecco (32, 32D)



345 Tokyo (32, 32D)



351 Toronto (32, 32D)



379 Arctic (32, 32D)



380 Polaris (32, 32D)

Lever Designs with "Return To Door" (RTD)*

*Compliant with California Fire Code



102 Munich (32, 32D)



109 Stuttgart (32, 32D)



244 Twilight (32, 32D)



346 Osaka (32, 32D)

*SP is a two-tone stainless steel finish: satin (32D) finish on lever grip, polished (32) finish on lever neck and roses.

379 Arctic knobs are available for GT/GS small rosette and BP/MU plates. 380 Polaris knobs are available for RA/SE rosette, LA/SF plates and Entrance Handlesets.

Finish

· Satin Stainless Steel
US32D/630· Bright Polished Stainless Steel
US32/629· Two-tone Stainless Steel
SP (Satin on Lever Grip;
Polished on Lever Neck and Roses)· Oil Rubbed Bronze on Stainless Steel
10B/613

RA/ SE/ GT/ GS/ LA/ SF Mortise Set



RA Mortise Set



GT Mortise Set

Application

For residential and light-duty commercial application.

Material

Stainless Steel Levers and Escutcheons

Finish



- 630 Satin Stainless Steel(US32D)
- 629 Bright Polished Stainless Steel(US32)
- Two-tone Stainless Steel(SP)
- 613 Oil Rubbed Bronze on Stainless Steel (10B) on selected lever designs

* See page3 for finish availability.

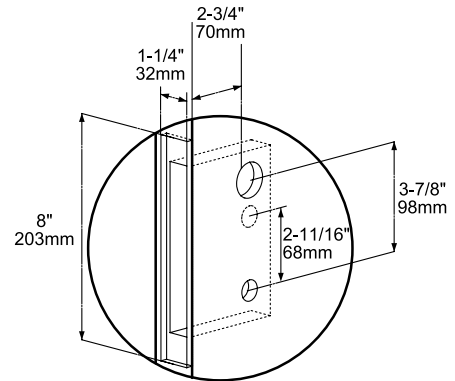
Specification

- Door Thickness: 1-3/4" (44mm) standard, Thick door kits available.
- Backset: 2-3/4" (70mm).
- Specify handing for all functions.
- Lockcase is field reversible without disassembly.
- Lever spindle 8x8mm square, Thumb-turn spindle 5x5mm square.
- Center Distances:
Lever to cylinder: 3-7/8" (98mm)
Lever to thumb-turn hub: 2-11/16" (68mm)
- Case Size: 4" x 6-7/32" x 1" (102mm x 158mm x 25mm)
- Deadbolt: 1" (25mm) throw in stainless steel.
- Latchbolt: 3/4" (19mm) throw with anti-friction.
- Schlage C keyway 6 pin mortise cylinder with 2 keys. Keying services and IC core available. Order separately.
- All mortise locks have emergency egress.
- UL listed for 3-hour fire door.

RA/ SE/ GT/ GS/ LA/ SF Mortise Set



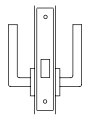
LA Mortise Set

Door Preparation

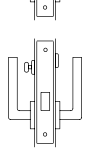
Please go to: www.inoxproducts.com/resources for the latest door preparation templates and installation instructions.

Functions

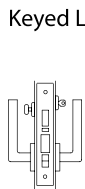
Non-Keyed Lock

**MC701 (ANSI: F01)****Passage**

Outside and inside levers are always unlocked.

**MC722 (ANSI: F22)****Privacy**

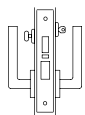
Inside thumb-turn locks and unlocks outside lever; outside release button with slot for emergency unlock from outside. Inside lever is always unlocked.



Keyed Lock with Deadbolt

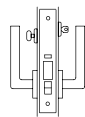
MC720 (ANSI: F20)**Entrance**

Key outside, thumb-turn inside. Outside lever free-wheel when deadbolt or toggle is locked. Inside lever allows emergency egress. Built-in toggle always in locked position unless set to unlock manually. Locking deadbolt by thumb-turn or key to reset toggle to locked position. *

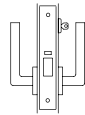
**MC738 (ANSI: N/A)****Entrance without toggle**

Key outside, thumb-turn inside. Outside lever free-wheel when deadbolt is locked. Inside lever allows emergency egress.

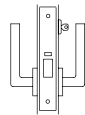
Keyed Lock without Deadbolt

**MC704 (ANSI: F04)****Office or Inner Entry**

Key outside, thumb-turn inside. Outside lever free-wheel when latchbolt is locked. No deadbolt. Inside lever allows emergency egress. Built-in toggle function.*

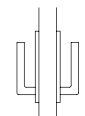
**MC705 (ANSI: F05)****Classroom**

Key from outside lock and unlock outside lever to operate latchbolt. No thumb-turn inside. Inside lever allows emergency egress.

**MC707 (ANSI: F07)****Storeroom**

Key from outside lock and unlock latchbolt. Outside lever is always inactive. No thumb-turn inside. Inside lever allows emergency egress.

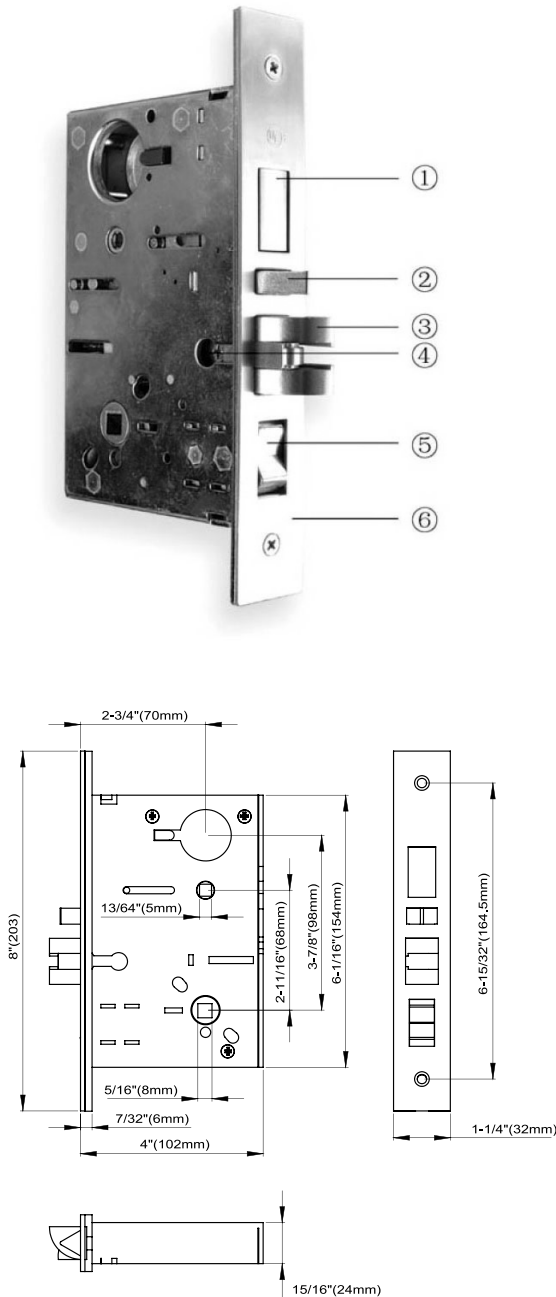
Trim only

**MDP****Full Dummy**

Lever trim only.

* Toggle is set to be always locked by default, which keeps the outside lever free-wheel. This allows the door to be kept always locked without using key or thumb-turn to engage deadbolt. Toggle can be manually set to the unlock position, in which case the outside lever will engage the latchbolt and act as a passage latch until the toggle is reset to lock either manually or set automatically by using thumb-turn or key.

MC Mortise Lockcase








- ① Deadbolt: 1" throw, heavy duty stainless steel deadbolt.
- ② Auxiliary latch deadlocks latch bolt when door is closed, providing extra security.
- ③ Latch bolt: Guarded, two-piece Stainless Steel 3/4" projection with mechanical anti-friction tongue.
- ④ Latch direction can be easily reversed without opening lock case.
- ⑤ Toggle Button is locked, outside lever is inoperative; when toggle button is unlocked, outside lever is operative.
- ⑥ Faceplate: Stainless Steel
(Striking plate: Stainless Steel 2mm thickness, 1-1/4" Lip)

MC Mortise Lockcase includes faceplate, strike and dustbox (less cylinder)



Product Illustration	Backset	Function	Item No.
	2-3/4"	Passage	MC701
	2-3/4"	Privacy	MC722
	2-3/4"	Entry w/ toggle	MC720
	2-3/4"	Inner Entry w/o deadbolt	MC704
	2-3/4"	Entry w/o toggle	MC738
	2-3/4"	Classroom	MC705
	2-3/4"	Storeroom	MC707

Mortise Faceplate

Stainless Steel Material. 32D, 32 and 10B finish.
Width: 1-1/4" (32mm) Square Corner

Product Illustration	Function	Item No.
	Passage (MC701) Privacy (MC722)	MC-FSP01
	Classroom (MC705) Storeroom (MC707)	MC-FSP02
	Entry (MC720)	MC-FSP03
	Office/ Inner Entry (MC704)	MC-FSP04
	Entry w/ o Toggle (MC738)	MC-FSP05

Mortise Strike and Dustbox

Product Illustration	Description	Item No.
	MC Mortise Strike	LSR-MC01
	MC Mortise Strike Dust Box	LSR-DBX-MC

Change Handing



How to Change Handing

Remove catch screw on the chassis facing the outside for the outside Lever.



Change Latchbolt Handing

Remove armor front, remove catch screw on the latch, pull latch out and reverse direction and set screw back. Reinstall armor front.

Pre-Rose Lever Designs

Certain lever designs have non-release rose cover where additional special allen wrench and hexagon bolts are provided. Designs include: 106 Copenhagen, 214 Champagne, 251 Sequoia, 344 Ecco, 379 Arctic

Ways to install leverset with non-release rose cover



Use allen wrench in-between rose cover and sub-rose



Use allen wrench to go through rose cover center cut-out



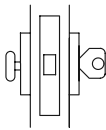
Use a Phillips head screwdriver to go through rose cover center cut out

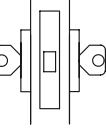
* keep the protective film on the lever while mounting the fixings

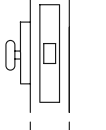
GR/SR Small Mortise Deadbolt with MC717 Lock

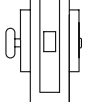


Functions

- 

110 Single Cylinder
Key outside or Thumb-turn inside retract deadbolt.
- 

120 Double Cylinder
Deadbolt operated by key from either side.
- 

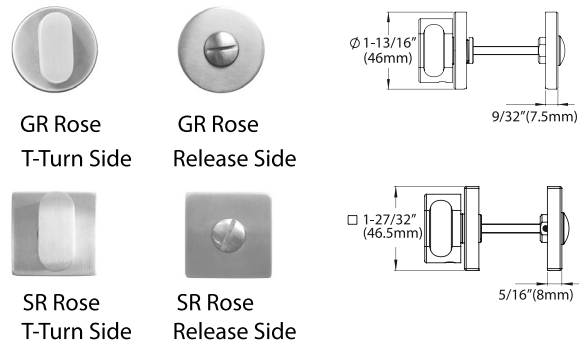
192 Communicating
Deadbolt is operated by Thumb-turn from inside only.
- 

104 Privacy
Deadbolt locked and unlocked by inside thumb-turn or outside emergency release

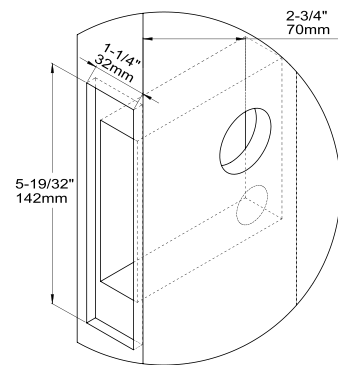
Item No.	Description
GR110MC717	Mortise Deadbolt with GR Rose, Single Cylinder
GR120MC717	Mortise Deadbolt with GR Rose, Double Cylinder
GR192MC717	Mortise Deadbolt with GR Rose, Communicating
GR104MC717	Mortise Deadbolt with GR Rose, Privacy

Item No.	Description
SR110MC717	Mortise Deadbolt with SR Rose, Single Cylinder
SR120MC717	Mortise Deadbolt with SR Rose, Double Cylinder
SR192MC717	Mortise Deadbolt with SR Rose, Communicating
SR104MC717	Mortise Deadbolt with SR Rose, Privacy

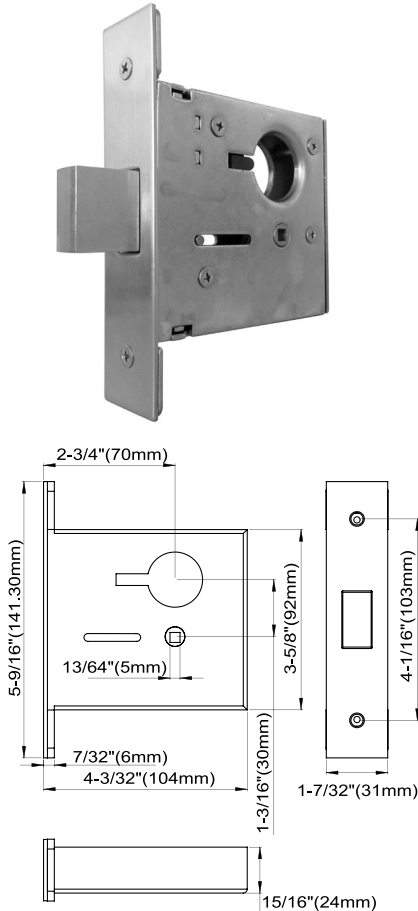
Mortise Deadbolt Trim Options



Door Preparation



Please go to: www.inoxproducts.com/resources for the the latest door preparation templates and installation instructions.

MC717 Small Mortise Deadbolt**MC717 Small Mortise Deadbolt**

w/faceplate, strike and dustbox (less cylinder)

Illustration	Backset	Function	Item Code
	2-3/4"	Deadlock	MC717-32D/32/10B

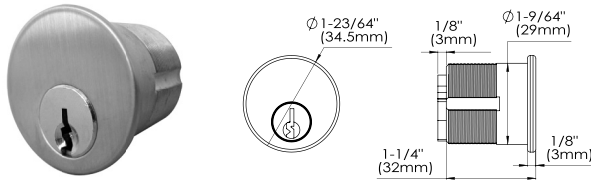
Mortise Deadbolt Faceplate and Strike

Illustration	Function	Item Code
	Faceplate for MC717 Mortise Deadbolt	MC-FSP06-32D/32/10B
	Mortise Deadbolt Strike	LSR-MC717-32D/32/10B

Specification

- Door Thickness: 1-3/4" (44mm) Standard, Thick door kits available.
- Backset: 2-3/4" (70mm)
- Handing: Non-Handed
- Thumb-turn spindle 5x5mm square
- Faceplate:
 - Stainless Steel 5-9/16" x 1-7/32" (141.3 x 31mm)
- Strike: Stainless Steel 3-1/2" x 1-1/8" (89 x 29mm)
- Deadbolt: 1" (25mm) throw, stainless steel
- Cylinder: Schlage C keyway 6 pin mortise cylinder with 2 keys. Keying service and IC core available. Order separately.
- UL and UL 10C for 3 hour fire door

Mortise Cylinders and Keys



Schlage C Keyway, 6 Pin, with Clover Cam, 2 Keys. Standard Keyed Differ (KD).
 Other Keying Service available.
 All trims uses 1-1/4" Mortise Cylinder for standard 1-3/4" door.
 Thick door cylinders available as following:

Product Illustration	Description	Item No.
	1-1/4" Mortise cylinder with clover cam	CMB1146
	1-3/8" Mortise cylinder with clover cam	CMB1386
	1-1/2" Mortise cylinder with clover cam	CMB1126
	1-5/8" Mortise cylinder with clover cam	CMB1586
	1-3/4" Mortise cylinder with clover cam	CMB1346
	Key blanks Schlage C Keyway 6 pin for Mortise Cylinder	LSK01-6SC-NP

CAM

MC Series Lockset uses classic Clover CAM which is compatible with Schlage[®] L9000 series.



Keying Services

Description	Item No.
Service: Key Cut including Key Blank	SV-KYCT
Service: Keyed Alike (KA)	SV-KA
Service: Keyed to Specific Code	SV-KS
Service: Master Keying	SV-MK
Service: Grand Master Keying with 2 or more Master groups.	SV-GMK
Service: Construction Master Keying Service	SV-CMK

Cylinder Collar, Thumb-Turn and Release

Product Illustration	Function	Item No.
For RA/ GT Sectional Trim		
	Mortise cylinder escutcheons for RA/GT Set	EC-R460COL
	Thumb-turn on escutcheons for RA/GT set	EC-R460TT04
	Privacy release for RA/GT set	EC-R460PVS
For SE/ GS Sectional Trim		
	Mortise cylinder escutcheons for SE/GS Set	EC-S420COL
	Thumb-turn on escutcheons for SE/GS Set	EC-S420TT04
	Privacy release for SE/GS Set	EC-S420PVS

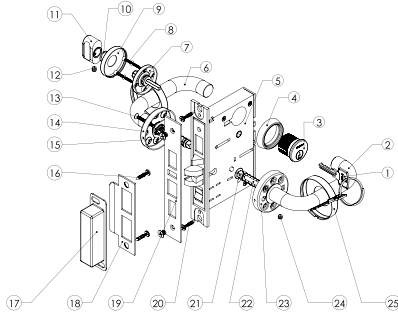
IC Core Cylinder

MC Series Lockset can be ordered to accept Small Format Interchangeable Core (SFIC) in Best Keyway with classic Clover Cam. 6 Pins Small Format IC Core Cylinders available in various keying option. Finish available in 26D and 10B.

Illustration	Description	Item Code
	Mortise Cylinders IC Core Housing, Small Format BEST, 26D	CMB1146-ICBA-HUS-26D
	IC Core Small Format Best A Keyway, 6Pin Combined	CMB1146-ICBA-CMB-26D
	Construction IC Core Small Format Best A Keyway 6 Pin	CMB1146-ICBA-CST-26D
	Control Keys for Mortise IC Core BEST A Keyway	LSK06-BA6-CRK

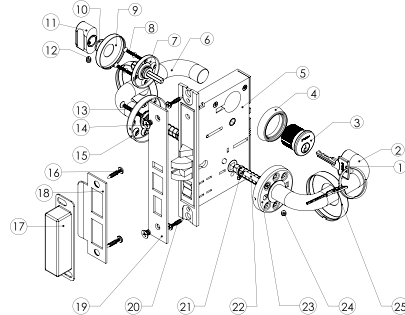
Exploded Diagram

Exploded Diagram (RA MC720-Entrance)



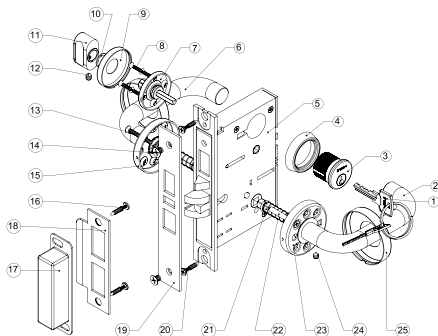
- | | |
|-----------------------------------|-------------------------------|
| 1. Keys | 12. Set Screw for Thumb-turn |
| 2. Outside Lever | 13. Leverset Thru-bolts |
| 3. Mortise Cylinder | 14. Inside Sub-rose |
| 4. Cylinder Escutcheon | 15. Faceplate Screws |
| 5. Mortise Lock Case MC720 | 16. Strike Screws |
| 6. Inside Lever | 17. Dust Box |
| 7. Thumb-turn Sub-rose | 18. Strike |
| 8. Screws for Thumb-turn Sub-rose | 19. Faceplate of Mortise Lock |
| 9. Thumb-turn Rose Cover | 20. Screw for Mortise Lock |
| 10. Thumb-turn Washer | 21. Lever Spindle 8mm Square |
| 11. Thumb-turn | 22. Bolt Sleeve |
| | 23. Outside Sub-rose |
| | 24. Set Screw for Lever |
| | 25. Outside Rose Cover |

Exploded Diagram (RA MC704-Office or Inner Entry)



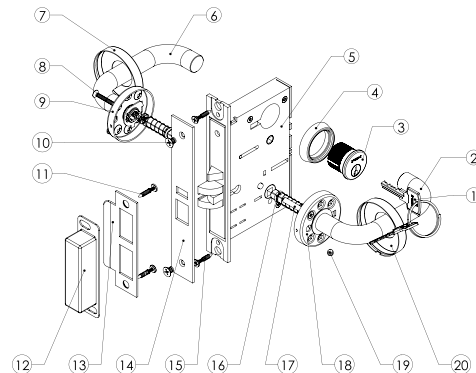
- | | |
|-----------------------------------|-------------------------------|
| 1. Keys | 14. Faceplate Screws |
| 2. Outside Lever | 15. Inside Sub-rose |
| 3. Mortise Cylinder | 16. Strike Screws |
| 4. Cylinder Escutcheon | 17. Dust Box |
| 5. Mortise Lock Case MC704 | 18. Strike |
| 6. Inside Lever | 19. Faceplate of Mortise Lock |
| 7. Thumb-turn Sub-rose | 20. Screw for Mortise Lock |
| 8. Screws for Thumb-turn Sub-rose | 21. Lever Spindle 8mm Square |
| 9. Thumb-turn Rose Cover | 22. Bolt Sleeve |
| 10. Thumb-turn Washer | 23. Outside Sub-rose |
| 11. Thumb-turn | 24. Set Screw for Lever |
| 12. Set Screw for Thumb-turn | 25. Outside Rose Cover |
| 13. Leverset Thru-bolts | |

Exploded Diagram (RA MC738-Entrance without toggle)



- | | |
|-----------------------------------|-------------------------------|
| 1. Keys | 12. Set Screw for Thumb-turn |
| 2. Outside Lever | 13. Leverset Thru-bolts |
| 3. Mortise Cylinder | 14. Faceplate Screws |
| 4. Cylinder Escutcheon | 15. Inside Sub-rose |
| 5. Mortise Lock Case MC738 | 16. Strike Screws |
| 6. Inside Lever | 17. Dust Box |
| 7. Thumb-turn Sub-rose | 18. Strike |
| 8. Screws for Thumb-turn Sub-rose | 19. Faceplate of Mortise Lock |
| 9. Thumb-turn Rose Cover | 20. Screw for Mortise Lock |
| 10. Thumb-turn Washer | 21. Lever Spindle 8mm Square |
| 11. Thumb-turn | 22. Bolt Sleeve |
| | 23. Outside Sub-rose |
| | 24. Set Screw for Lever |
| | 25. Outside Rose Cover |

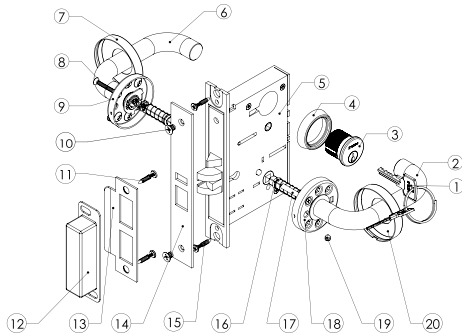
Exploded Diagram (RA MC705-Classroom)



- | | |
|----------------------------|-------------------------------|
| 1. Keys | 11. Strike Screws |
| 2. Outside Lever | 12. Dust Box |
| 3. Mortise Cylinder | 13. Strike |
| 4. Cylinder Escutcheon | 14. Faceplate of Mortise Lock |
| 5. Mortise Lock Case MC705 | 15. Screw for Mortise Lock |
| 6. Inside Lever | 16. Lever Spindle 8mm Square |
| 7. Inside Rose Cover | 17. Bolt Sleeve |
| 8. Leverset Thru-bolts | 18. Outside Sub-rose |
| 9. Inside Sub-rose | 19. Set Screw for Lever |
| 10. Faceplate Screws | 20. Outside Rose Cover |

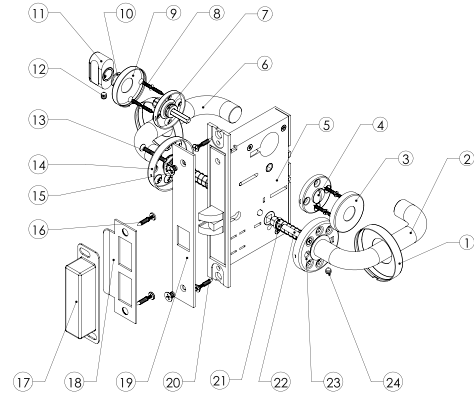
Exploded Diagram

Exploded Diagram (RA MC707-Storeroom)



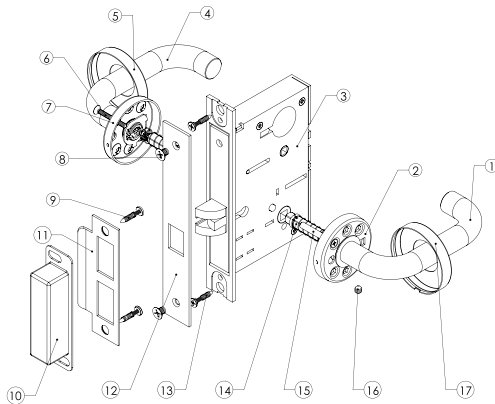
- | | |
|----------------------------|-------------------------------|
| 1. Keys | 11. Strike Screws |
| 2. Outside Lever | 12. Dust Box |
| 3. Mortise Cylinder | 13. Strike |
| 4. Cylinder Escutcheon | 14. Faceplate of Mortise Lock |
| 5. Mortise Lock Case MC707 | 15. Screw for Mortise Lock |
| 6. Inside Lever | 16. Lever Spindle 8mm Square |
| 7. Inside Rose Cover | 17. Bolt Sleeve |
| 8. Leverset Thru-bolts | 18. Outside Sub-rose |
| 9. Inside Sub-rose | 19. Set Screw for Lever |
| 10. Faceplate Screws | 20. Outside Rose Cover |

Exploded Diagram (RA MC722-Privacy)



- | |
|-----------------------------------|
| 1. Outside Rose Cover |
| 2. Outside Lever |
| 3. Privacy Release Rose Cover |
| 4. Privacy Release Sub-rose |
| 5. Mortise Lock Case MC722 |
| 6. Inside Lever |
| 7. Thumb-turn Sub-rose |
| 8. Screws for Thumb-turn Sub-rose |
| 9. Thumb-turn Rose Cover |
| 10. Thumb-turn Washer |
| 11. Thumb-turn |
| 12. Set Screw for Thumb-turn |
| 13. Leverset Thru-bolts |
| 14. Inside Sub-rose |
| 15. Faceplate Screws |
| 16. Strike Screws |
| 17. Dust Box |
| 18. Strike |
| 19. Faceplate of Mortise Lock |
| 20. Screw for Mortise Lock |
| 21. Lever Spindle 8mm Square |
| 22. Bolt Sleeve |
| 23. Outside Sub-rose |
| 24. Set Screw for Lever |

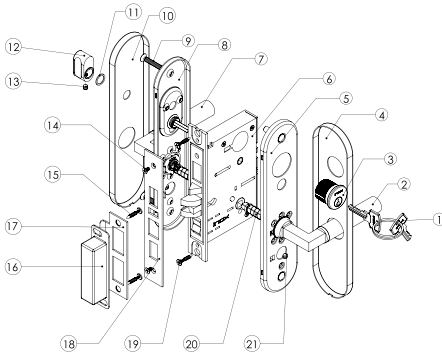
Exploded Diagram (RA MC701-Passage)



- | | |
|----------------------------|-------------------------------|
| 1. Outside Lever | 10. Dust box |
| 2. Outside Sub-rose | 11. Strike |
| 3. Mortise Lock Case MC701 | 12. Faceplate of Mortise Lock |
| 4. Inside Lever | 13. Screw for Mortise Lock |
| 5. Inside Rose Cover | 14. Lever Spindle 8mm Square |
| 6. Leverset Thru-bolts | 15. Bolt Sleeve |
| 7. Inside Sub-rose | 16. Set Screw for Lever |
| 8. Faceplate Screws | 17. Outside Rose Cover |
| 9. Strike Screws | |

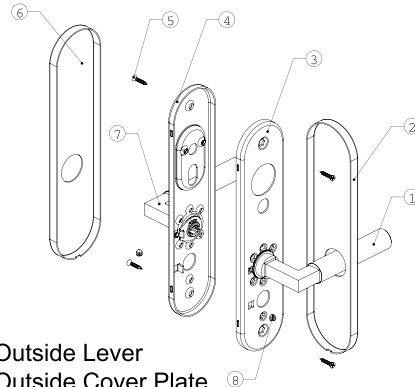
Exploded Diagram

Exploded Diagram (LA MC720-Entrance)



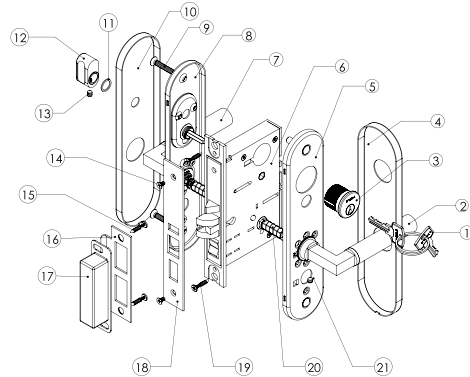
- | | |
|----------------------------|-------------------------------|
| 1. Keys | 12. Thumb-turn |
| 2. Outside Lever | 13. Set Screw for Thumb-turn |
| 3. Mortise Cylinder | 14. Faceplate Screws |
| 4. Outside Cover Plate | 15. Strike Screws |
| 5. Outside Sub-plate | 16. Dust Box |
| 6. Mortise Lock Case MC720 | 17. Strike |
| 7. Inside Lever | 18. Faceplate of Mortise Lock |
| 8. Inside Sub-plate | 19. Screw for Mortise Lock |
| 9. Leverset Thru-bolts | 20. Lever Spindle 8mm Square |
| 10. Inside Cover Plate | 21. Set Screw for Lever |
| 11. Thumb-turn Washer | |

Exploded Diagram (LA MDP-Full Dummy)



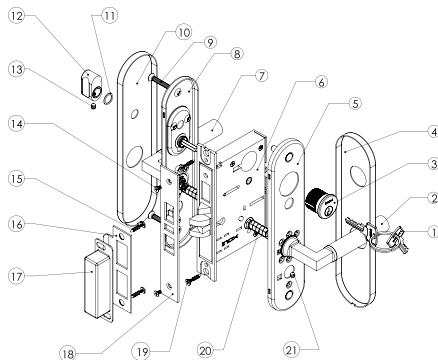
1. Outside Lever
2. Outside Cover Plate
3. Outside Sub-plate
4. Inside Sub-plate
5. Wood Screws
6. Inside Cover Plate
7. Inside Lever
8. Set Screws

Exploded Diagram (LA MC704-office or inner entry)



1. Keys
2. Outside Lever
3. Mortise Cylinder
4. Outside Cover Plate
5. Outside Sub-plate
6. Mortise Lock Case MC704
7. Inside Lever
8. Inside Sub-plate
9. Leverset Thru-bolts
10. Inside Cover Plate
11. Thumb-turn Washer
12. Thumb-turn
13. Set Screw for Thumb-turn
14. Faceplate Screws
15. Strike Screws
16. Strike
17. Dust Box
18. Faceplate of Mortise Lock
19. Screw for Mortise Lock
20. Lever Spindle 8mm Square
21. Set Screw for Lever

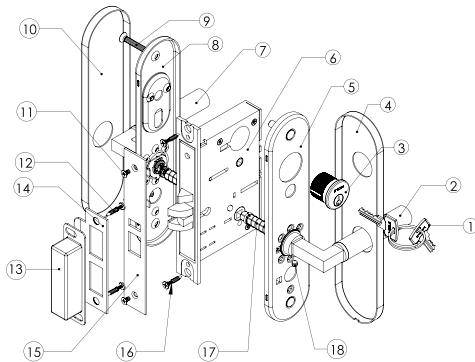
Exploded Diagram (LA MC738-Entrance without toggle)



- | | |
|----------------------------|-------------------------------|
| 1. Keys | 12. Thumb-turn |
| 2. Outside Lever | 13. Set Screw for Thumb-turn |
| 3. Mortise Cylinder | 14. Faceplate Screws |
| 4. Outside Cover Plate | 15. Strike Screws |
| 5. Outside Sub-plate | 16. Strike |
| 6. Mortise Lock Case MC738 | 17. Dust Box |
| 7. Inside Lever | 18. Faceplate of Mortise Lock |
| 8. Inside Sub-plate | 19. Screw for Mortise Lock |
| 9. Leverset Thru-bolts | 20. Lever Spindle 8mm Square |
| 10. Inside Cover Plate | 21. Set Screw for Lever |
| 11. Thumb-turn Washer | |

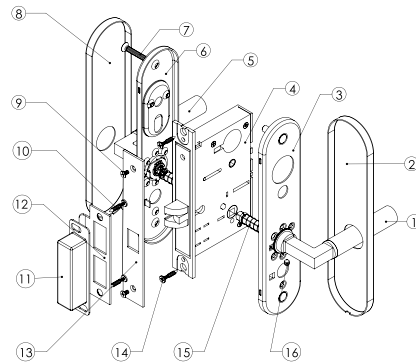
Exploded Diagram

Exploded Diagram (LA MC705-Classroom)



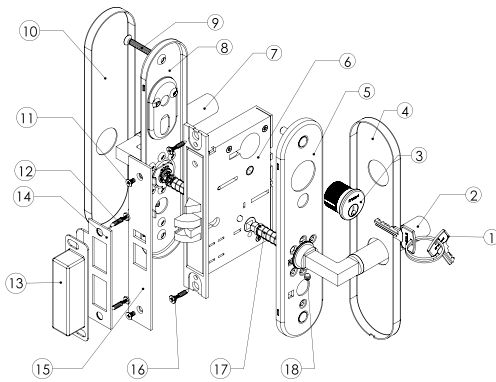
- | | |
|----------------------------|-------------------------------|
| 1. Keys | 10. Inside Cover Plate |
| 2. Outside Lever | 11. Faceplate Screws |
| 3. Mortise Cylinder | 12. Strike Screws |
| 4. Outside Cover Plate | 13. Dust Box |
| 5. Outside Sub-plate | 14. Strike |
| 6. Mortise Lock Case MC705 | 15. Faceplate of Mortise Lock |
| 7. Inside Lever | 16. Screw for Mortise Lock |
| 8. Inside Sub-plate | 17. Lever Spindle 8mm Square |
| 9. Leverset Thru-bolts | 18. Set Screw for Lever |

Exploded Diagram (LA MC701-Passage)



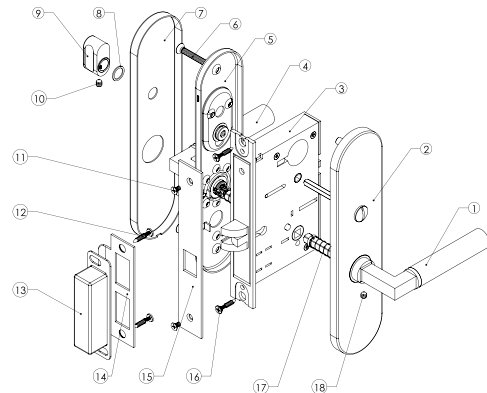
- | | |
|----------------------------|-------------------------------|
| 1. Outside Lever | 9. Faceplate Screws |
| 2. Outside Cover Plate | 10. Strike Screws |
| 3. Outside Sub-plate | 11. Dust box |
| 4. Mortise Lock Case MC701 | 12. Strike |
| 5. Inside Lever | 13. Faceplate of Mortise Lock |
| 6. Inside Sub-plate | 14. Screw for Mortise Lock |
| 7. Leverset Thru-bolts | 15. Lever Spindle 8mm Square |
| 8. Inside Cover Plate | 16. Set Screw for Lever |

Exploded Diagram (LA MC707-Storeroom)



- | | |
|----------------------------|-------------------------------|
| 1. Keys | 10. Inside Cover Plate |
| 2. Outside Lever | 11. Faceplate Screws |
| 3. Mortise Cylinder | 12. Strike Screws |
| 4. Outside Cover Plate | 13. Dust Box |
| 5. Outside Sub-plate | 14. Strike |
| 6. Mortise Lock Case MC707 | 15. Faceplate of Mortise Lock |
| 7. Inside Lever | 16. Screw for Mortise Lock |
| 8. Inside Sub-plate | 17. Lever Spindle 8mm Square |
| 9. Leverset Thru-bolts | 18. Set Screw for Lever |

Exploded Diagram (MC722-Privacy)



- | | |
|--------------------------------------|-------------------------------|
| 1. Outside Lever | 10. Set Screw for Thumb-turn |
| 2. Outside Cover Plate With Sub-rose | 11. Faceplate Screws |
| 3. Mortise Lock Case MC722 | 12. Strike Screws |
| 4. Inside Lever | 13. Dust Box |
| 5. Inside Sub-plate | 14. Strike |
| 6. Leverset Thru-bolts | 15. Faceplate of Mortise Lock |
| 7. Inside Cover Plate | 16. Screw for Mortise Lock |
| 8. Thumb-turn Washer | 17. Lever Spindle 8mm Square |
| 9. Thumb-turn | 18. Set Screw for Lever |

Care and Maintenance

Lever and Knob Handles

On installation, where the correct procedures, per the instructions, have been carried out the lever handles will not require adjustment. However, all fixings should be checked for tightness at the annual control. Any loose fixings should be adjusted. Badly fitted furniture can cause interference with the operation of the lock and at the same time, damage the surface of the furniture. INOX™ snap-on rose covers should only be removed using proper tools. A screw driver blade should never be used as this can distort the rose cap out of alignment and scratch the surfaces of both product and door.

Care of Finishes

Today's environment exerts immense pressures on product material requirements. Products must withstand a diversification of atmospheric conditions, such as high pollution, marine locations, and high humidity climates. Additionally, products must be protected against cleaning agents/solutions and ideally the product should offer hypo-allergenic properties.

Stainless Steel

Stainless steel is renowned for the following two properties; resistance to corrosion and low maintenance requirements. Stainless steel corrosion resistance is attributable to the presence of a thin, durable film of passive, but stable, chromium oxide. Being inert, invisible, extremely adherent and self-repairing, this film provides an unrivalled protection for the steel; should the film be damaged or removed it will regenerate independently, provided that oxygen is present to allow the reaction to occur with the chromium content of the steel. Therefore you must ensure regular cleaning and maintenance, to restore the original surface appearance, prevent corrosion and maintain hygienic conditions.

Cleaning Technique

It is important to clean stainless steel regularly.

- Initially, wash down the surface using soapy water or a mild detergent.
- Always thoroughly rinse the cleaning agent away with clean, warm water.
- To complete the cleaning procedure, dry/polish the item with a soft, dry cloth.

Note: Within aggressive conditions, such as offshore, marine and swimming pool environments, it is especially relevant to ensure that cleaning maintenance occurs regularly.

Discoloration

If spots appear on the surface it is not due to the stainless steel, but to impurities in the water, the air or to cleaning agents that have not been thoroughly removed from the surface.

- Spots can be avoided by careful cleaning.
- If discoloration or spots occur they can be removed by using special polishing agents for stainless steel or a light scouring cream.
- Again rinse thoroughly with clean water and polish with a soft, dry cloth.

What to Avoid!

- Scouring powders
- Steel wool
- Strong abrasive materials

Note: Acid based cleaning solutions, except for hydrochloric acid, may be used on AISI 304 stainless steel as long as thoroughly rinsed with clean water afterwards. For further information on stainless steel, please contact your local INOX™ distributor for the INOX™ Stainless Steel Technical Details information sheet.

Product Warranty

Limited Lifetime Warranty

Unison Hardware, Inc. warrants that its INOX[™] residential products shall be free from defects in material and workmanship for the life of the product, excluding components made of wood, leather or plastic. This warranty extends to the original purchaser and the first consumer owner only. If a product fails due to defects in material or workmanship during the warranty period we will replace it with the most nearly identical product which we sell at the time or refund the original purchase price. Unison Hardware, Inc. will not be liable for any labor charges or freight costs incurred in connection with repair or replacement of a product. Our sole and maximum liability for defective goods (Sold and manufactured by Unison Hardware, Inc.) shall never exceed the cost of the subject products.

This warranty does not cover:

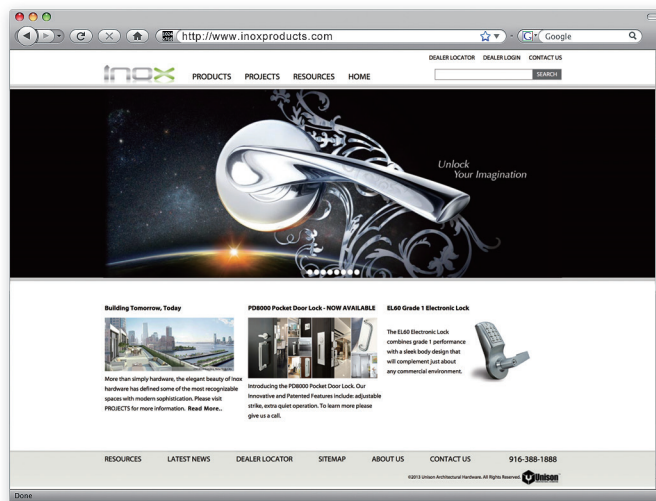
- a. Damage resulting from negligence, misuse, abuse or accident occurring after installation
- b. Damage due to use outside normal architectural requirements
- c. Defects resulting from any modification or improper installations
- d. Improper torquing (tightening) during or after installation
- e. Improper door preparations
- f. Use of residential grade products in commercial applications (i.e. public building, restaurants, offices etc.)
- g. Products installed within three miles of the ocean
- h. Products installed in exterior application and/or exposed to the outdoor weather or elements

Limited Lifetime Finish Warranty

Unison Hardware, Inc. warrants its INOX[™] products made of stainless steel material against tarnishing. This warranty is extended to the original purchaser of INOX[™] products as long as the User occupies the residential premises on which the Products were originally installed. Not covered under this warranty are:

- a. Products which have been scratched or abraded
- b. Products which have been incorrectly installed or mistreated
- c. Products installed within three miles of water (ocean, lakes, rivers, etc.), harsh environments and/or commercial or industrial applications
- d. Products installed in exterior application and/or exposed to the outdoor weather or elements
- e. Finishes which are specifically designed to wear over time (i.e. Oil Rubbed Bronze finish)

UNISON HARDWARE, INC. MAKES NO OTHER WARRANTY, AND ALL IMPLIED WARRANTIES INCLUDING ANY WARRANTY OF MERCHANTABILITY OR FITNESS FOR A PARTICULAR PURPOSE ARE LIMITED TO THE DURATION OF THE EXPRESSED WARRANTY PERIOD AS SET FORTH ABOVE. THE COMPANY'S MAXIMUM LIABILITY HEREUNDER IS LIMITED TO THE PURCHASE PRICE OF THE PRODUCT. IN NO EVENT SHALL THE COMPANY BE LIABLE FOR ANY CONSEQUENTIAL, INDIRECT, INCIDENTAL OR SPECIAL DAMAGES OF ANY NATURE ARISING FROM THE SALE OR USE OF THIS PRODUCT, WHETHER IN CONTRACT, TORT, STRICT LIABILITY OR OTHERWISE. THIS LIMITED WARRANTY IS IN LIEU OF ALL OTHER WARRANTIES, EXPRESSED OR IMPLIED, INCLUDING THE IMPLIED WARRANTIES OF FITNESS AND MERCHANTABILITY. THERE ARE NO WARRANTIES WHICH EXTEND BEYOND THE DESCRIPTION ON THE FACE HEREOF.



Please visit our website
www.inoxproducts.com
for more technical and new product information.



Unison Hardware, Inc.

6 Wayne Court, Sacramento, CA 95829, USA

Tel: +1.916.388.1888 Fax: +1.916.388.8322

Email: info@unisonhardware.com