

Schwinn Modular Hook Rack System



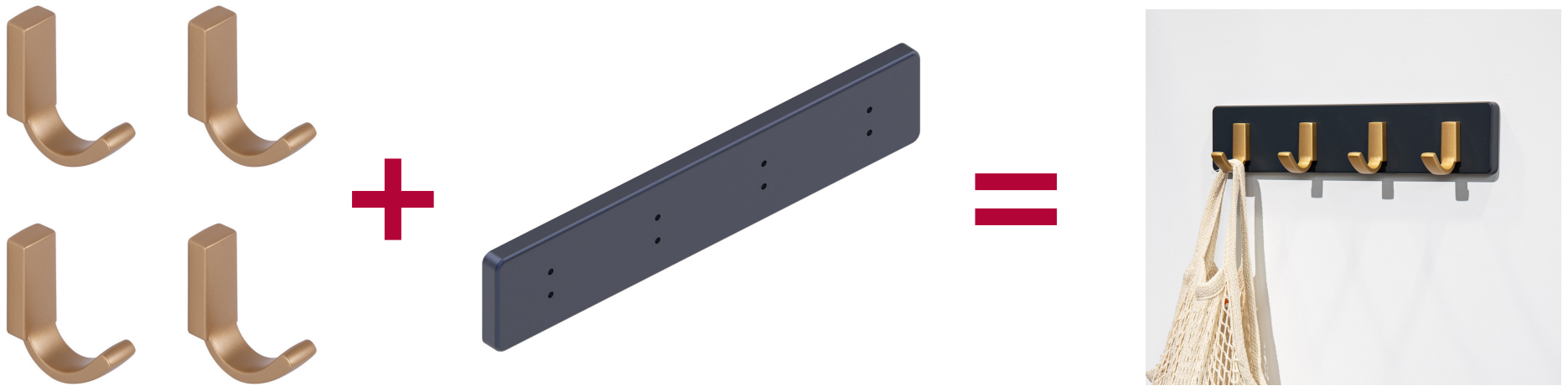
NEW – and only from Schwinn.

For all hooks from the Schwinn Quick Ship 7 and Schwinn Originals Quick Ship programs.



Create your own custom hook rack.

All Schwinn hook designs can be mounted on the new Schwinn Hook Rack in multiples of four to create a unique modular hanging solution. With 17 hook designs available in a variety of finishes and sizes, plus two complimentary hook rack colors, the design possibilities are seemingly endless. Customized organization – only from Schwinn.



Order your custom hook rack in **1-2-3** easy steps:

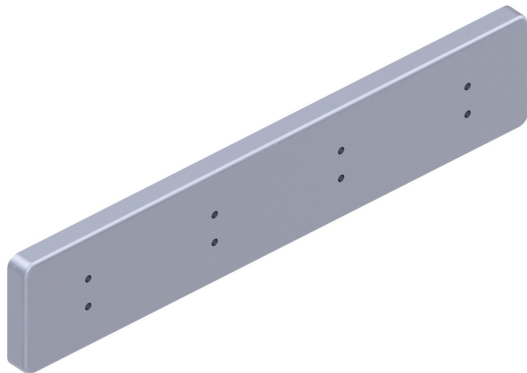
1 Choose your hook.

17 Schwinn hook designs in a variety of finishes and sizes. Four hooks needed per rack.

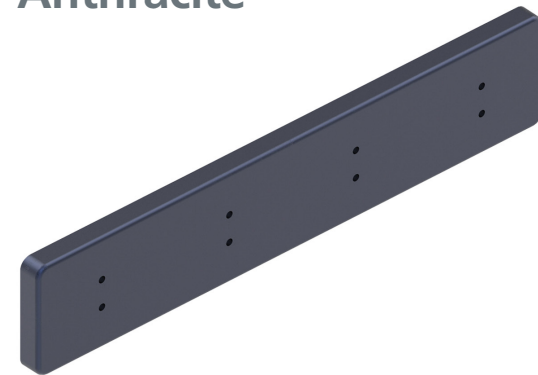


2 Choose your hook rack color.

Silver



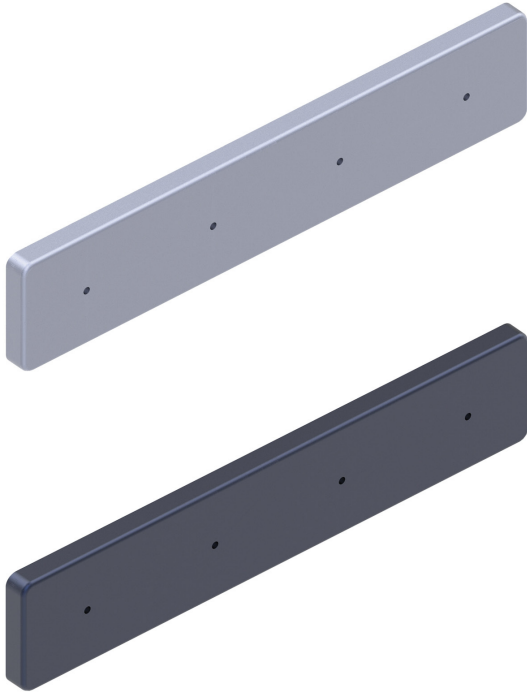
Anthracite



3 Select the appropriate hole profile for your hooks.

Single Hole

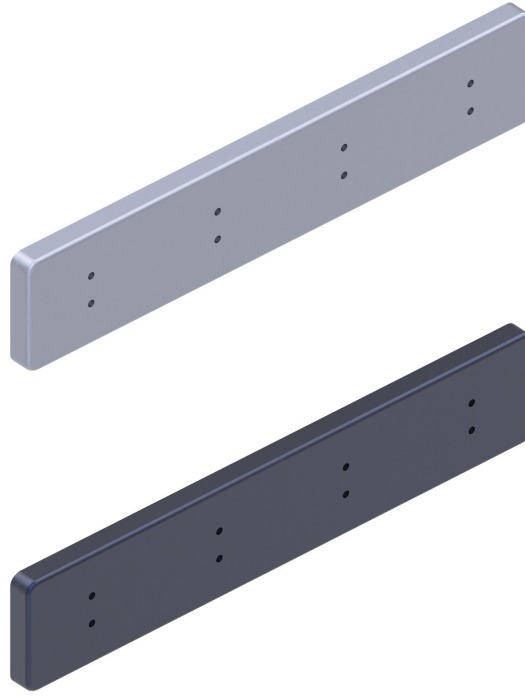
Schwinn Item 88947



For use with Schwinn Items
4410, 2022, 4452 and 33906 (QS 7)
88939, 88940 and 88941 (SO)

C/C 20 mm

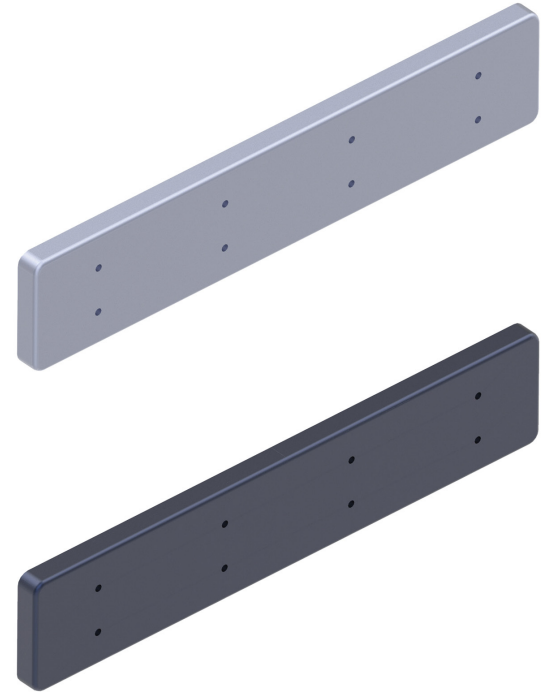
Schwinn Item 88948



For use with Schwinn Items
Z327 and Z313 (QS 7)
2Z354, 2Z360 and 44683 (SO)

C/C 32 mm

Schwinn Item 88908



For use with Schwinn Items
Z390 and Z337 (QS 7)

Once your order is placed (4 hooks plus one hook rack), Schwinn will do the assembly and ship your finished hook rack ready for installation, mounting hardware included.

Customized organization.

Below are just a few of the 150 possible combinations.



Schwinn Item 88940/30 Hook
Turquoise Blue - Order Nr. 60064
(Schwinn Originals program)

Schwinn Item 88947 Hook Rack
Anthracite - Order Nr. 59437



Schwinn Item 22360 Hook
Matte Black - Order Nr. 60049
(Schwinn Originals program)

Schwinn Item 88948 Hook Rack
Silver - Order Nr. 59439



Schwinn Item Z337 Hook
Polished Chrome - Order Nr. 59395
(Schwinn Quick Ship 7 program)

Schwinn Item 88908 Hook Rack
Anthracite - Order Nr. 59435

The Schwinn Modular Hook Rack System.
NEW – and only from Schwinn.