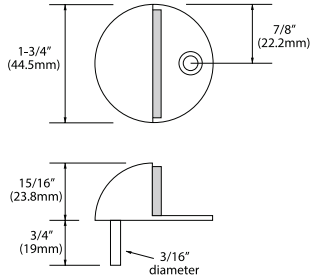
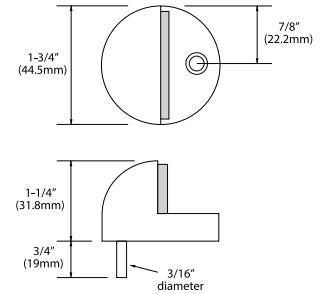


DOOR STOPS



DS436
Low Dome Stop



DS438
High Dome Stop

SPECIFICATIONS

Material	Cast Brass or Stainless Steel
Packing	Individually wrapped with mounting screws

FEATURES

INOX Low and High Dome Stops are beautifully designed and durable for commercial, hospitality, and mixed-use applications. Each Stop is provided with steel Phillips sheet metal screws plated to match the finish.

CODE COMPLIANCE

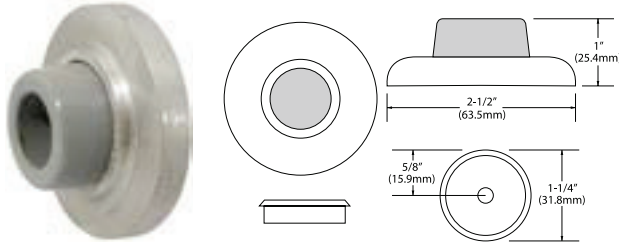


ANSI 156.16 - L12141, L12161, L52141, L52161
 C-UBC - California Amended Uniform Builders Code
 NFPA 80 - National Fire Protection Association
 NFPA-101 National Fire Protection. - Life Safety

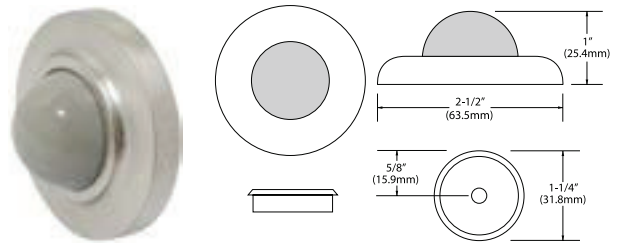
Description	Part Number	Standard Finish
1/4" Rise x 1 Low Dome Stop	DS436	26D Satin Chrome
1/2" Rise x 1-1/4" High Dome Stop	DS438	26D Satin Chrome

For additional finish options not listed, contact Sales Department for MOQ and lead times

DOOR STOPS / WALL BUMPERS



DS401
Concave Wall Stop



DS406
Convex Wall Stop

SPECIFICATIONS

Material	Cast Brass or Wrought Stainless Steel
Packing	Stops Individually wrapped with mounting screws

FEATURES

INOX Wall Bumpers are made of tough, reliable pressure-cast zinc and are provided with steel Phillips sheet metal screws plated to match the finish.

CODE COMPLIANCE



ANSI 156.16 - L12101, L12251, L52101, L52251
 C-UBC - California Amended Uniform Builders Code
 NFPA 80 - National Fire Protection Association
 NFPA-101 National Fire Protection - Life Safety

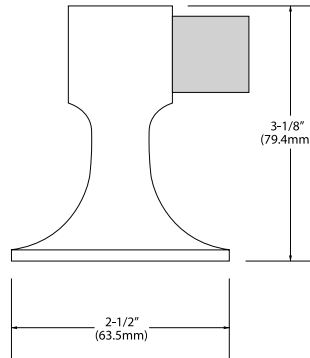
Description	Part Number	Standard Finish
Concave Door Stops, Wall Mount	DS401	26D Satin Chrome
Convex Door Stops, Wall Mount	DS406	26D Satin Chrome

For additional finish options not listed, contact Sales Department for MOQ and lead times

DOOR STOP, FLOOR MOUNT



DS444
Floor Mount Stop



SPECIFICATIONS

Material	Solid Cast Brass
Packing	Stops Individually wrapped with mounting screws

FEATURES

INOX DS444 Stops are heavy duty and built with rugged but beautiful materials for dependability and long life. Steel sheet metal screws plated to match finish are included.

CODE COMPLIANCE



A156.16 - L12131
 Fed Spec # 1328E
 C-UBC - California Amended Uniform Builders Code
 NFPA 80 - National Fire Protection Association
 NFPA-101 National Fire Protection. - Life Safety

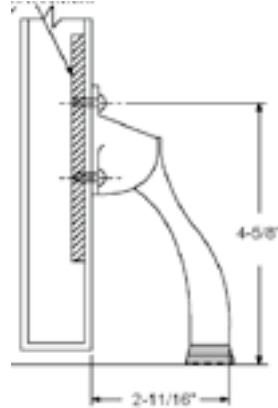
Description	Part Number	Standard Finish
3-1/8" High Door Stop, Floor Mount (ANSI:L12131)	DS444	26D Satin Chrome

For additional finish options not listed, contact Sales Department for MOQ and lead times

DOOR HOLDERS



DH235
Drop Down Door Holder



SPECIFICATIONS

Spec	5" Cast Brass Holder Stop
Packing	Individually wrapped with mounting screws Polybagged 4 sheet metal screws

FEATURES

INOX Door Holders are the perfect drop-down solution to ensure the door stays open when needed. Includes steel sheet metal screws plated to match finish.

CODE COMPLIANCE



ANSI A156.16 - L11382
NFPA 80 - National Fire Protection Association
NFPA-101 National Fire Protection. - Life Safety

Description

Drop Down Door Holder (ANSI L11382)

Part Number

DH235

Standard Finish

26D Satin Chrome

For additional finish options not listed, contact Sales Department for MOQ and lead times